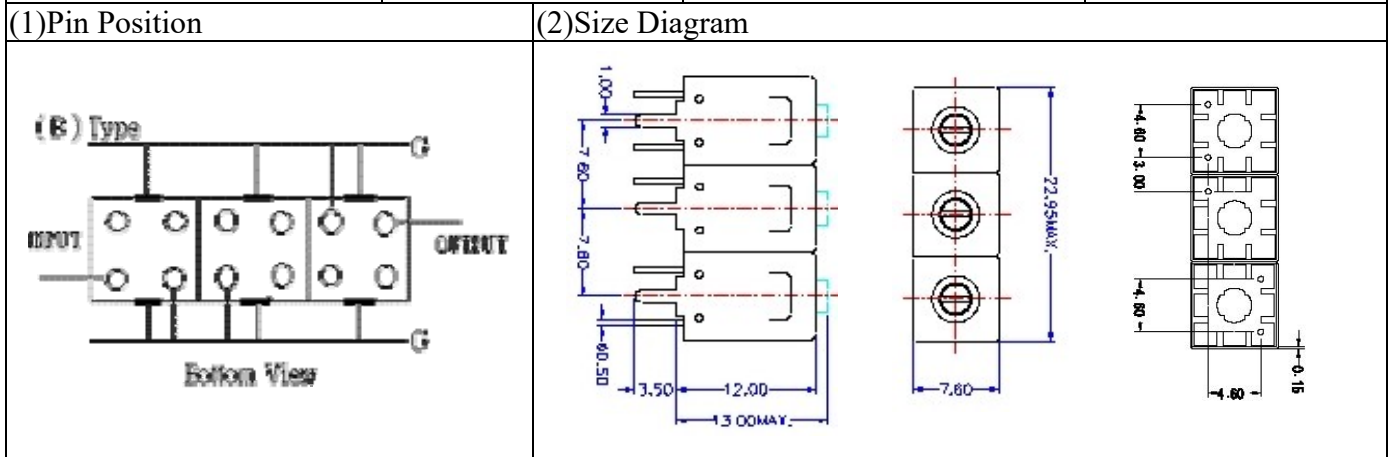


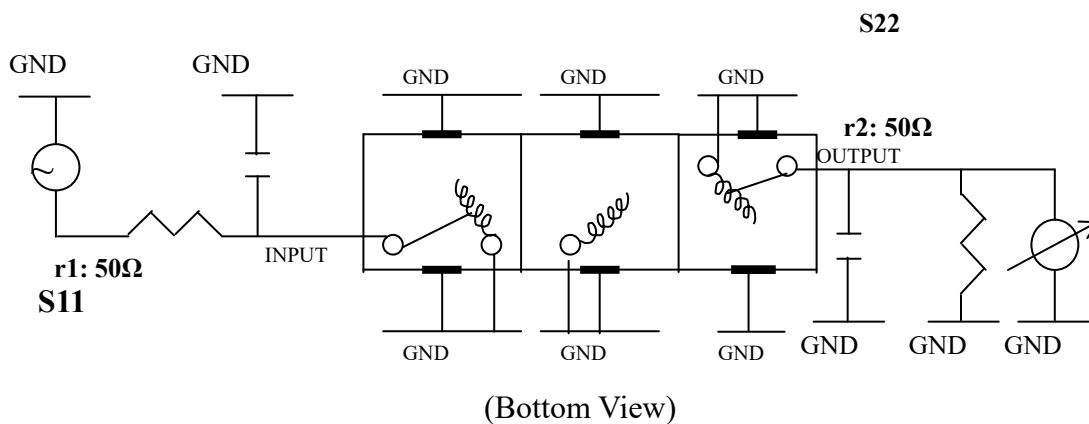
VHF UHF Helical Filter Specification Sheet

Customer Name		Temwell's Part No.	TT63828B-454M
Approval No. /dated		Temwell's Print name.	63828B 454M
Work Instruction No.	201811013CD	Date	Nov.30.2018



(3) Electric Chararctic		Specify	Performance
Item			
Center Freq.(Fo) +/- 0.5 %		454 MHz	454 MHz
Insertion Loss		Typ. 4.5 dB	3.51 dB
-3 dB Bandwidth		Typ. 7 MHz	9.6 MHz
Sensitivity (Attenuation)	Fo - 50 MHz	Typ. 52 dBc	57 dBc
	Fo + 50 MHz	Typ. 47 dBc	49 dBc
	Fo - () MHz	Typ dBc	dBc
	Fo + () MHz	Typ. dBc	dBc
Return Loss		Min. 12 dB	20.1 dB
Ripple		< 1 dB	dB
Impedance		In / Out : 50 Ω	In / Out : 50 Ω
(4) Torque for Tuning Screw		> 60gf · cm	
(5) Temperature Condition:			
Operating Temperature		0°C ~ +60°C	
Storage Temperature		-20°C ~ +70°C	
(6) Input Power		> 1 Watt	

(7) Measuring Circuit: ※Easy to match Impedance S11/S22 50Ω by parallel with about (-).



Approval	Supervisor	Designer	Aperture size
C.Y.Chang	C.S.Chang	P.H.Chiang	7H3S(4*4.65)(4.68) 7H046RB4.3 聚 3

TEMWELL CORPORATION

Performance-TT63828B-454M

201811013CD

