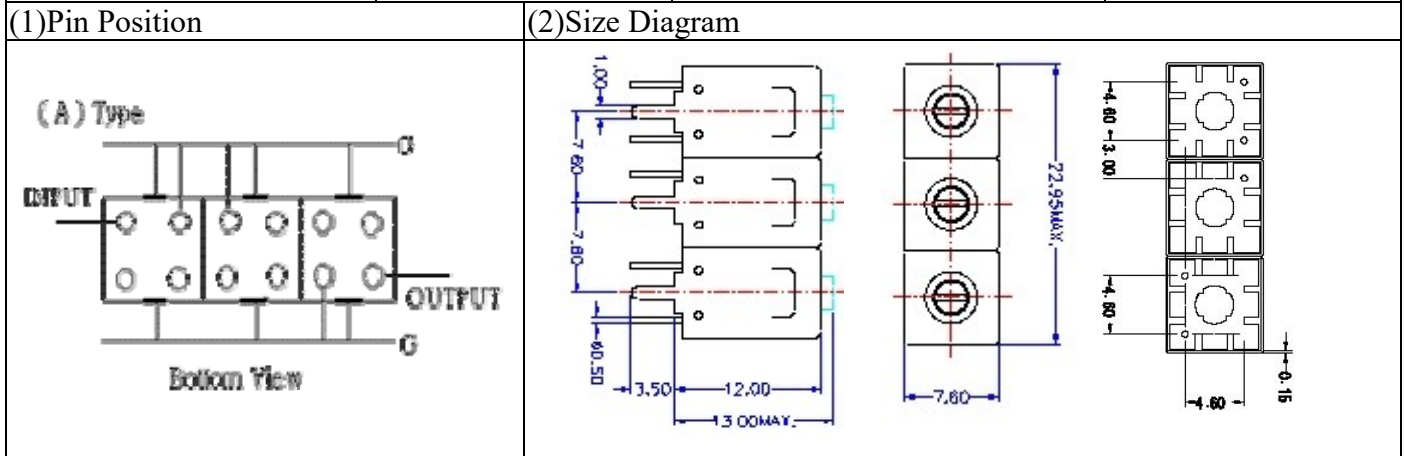


VHF UHF Helical Filter Specification Sheet

Customer Name		Temwell's Part No.	TT63830A-456.5M
Approval No. /dated	201811015CD	Temwell's print name	63830A 456.5M
Work Instruction No.	201811015CD	Date	Dec.10.2018



(3) Electric Characteristic

Item	Specify	Performance	
Center Freq.(Fo) +/- 0.5 %	456.5 MHz	456.5 MHz	
Insertion Loss	Typ. 2.0 dB	0.60 dB	
-3 dB Bandwidth	Typ. 73 MHz	75.6 MHz	
Sensitivity (Attenuation)	Fo - 150 MHz	Typ. 36 dBc	41 dBc
	Fo + 150 MHz	Typ. 20 dBc	25 dBc
	Fo - ()MHz	Typ. dBc	dBc
	Fo + ()MHz	Typ. dBc	dBc
Return Loss	Min. 12 dB	26.2 dB	
Ripple	< 1 dB	dB	
Impedance	In / Out : 50 Ω	In / Out : 50 Ω	

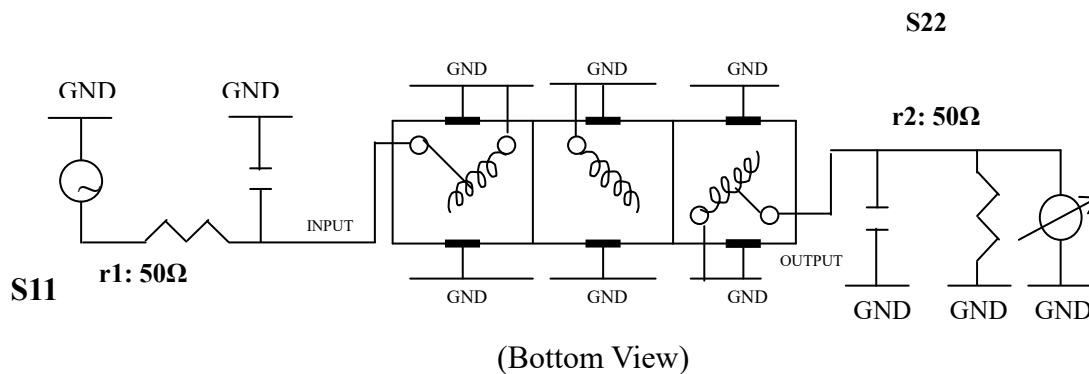
(4) Torque for Tuning Screw > 60gf • cm

(5) Temperature Condition:

Operating Temperature	0°C ~ +60°C
Storage Temperature	-20°C ~ +70°C

(6) Input Power > 1Watt

(7) Measuring Circuit: ※Easy to match Impedance S11/S22 50Ω by parallel with about(- -).

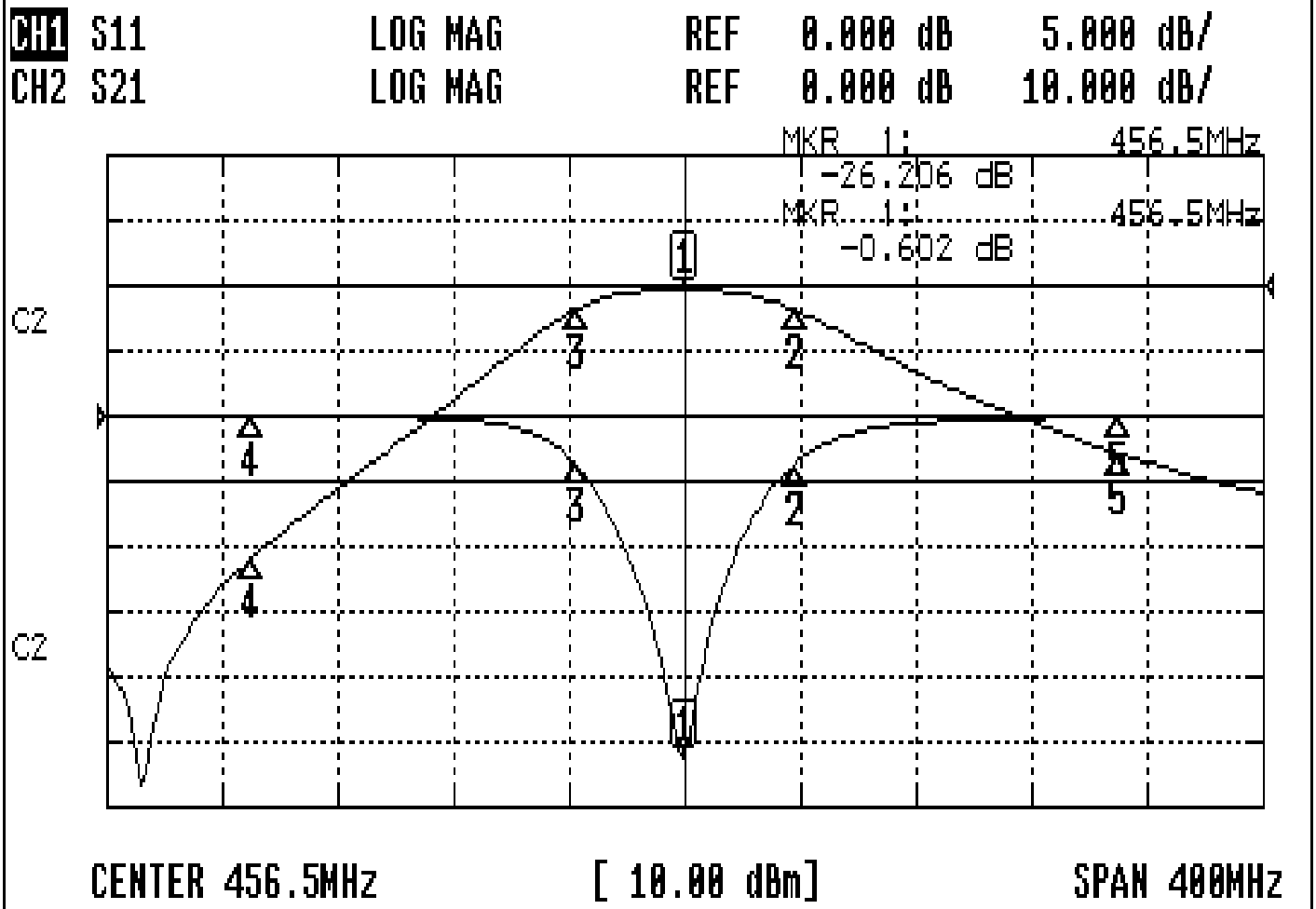


Approval	Supervisor	Designer	Aperture size
C.Y.Chang	C.K.Chang	M.Y.Kang	7H3S(4*6.35)(6.38) 7H046LB6.6

TEMWELL CORPORATION

Performance-TT63830A-456.5M

201811015CD



CH1 MARKER LIST

1:	456.500MHz	-26.206	dB
2:	494.500MHz	-3.682	dB
3:	418.833MHz	-3.707	dB
4:	306.500MHz	-0.041	dB
5:	606.500MHz	-0.060	dB

CH2 MARKER LIST

1:	456.500MHz	-0.602	dB
2:	494.500MHz	-3.662	dB
3:	418.833MHz	-3.680	dB
4:	306.500MHz	-41.936	dB
5:	606.500MHz	-25.645	dB