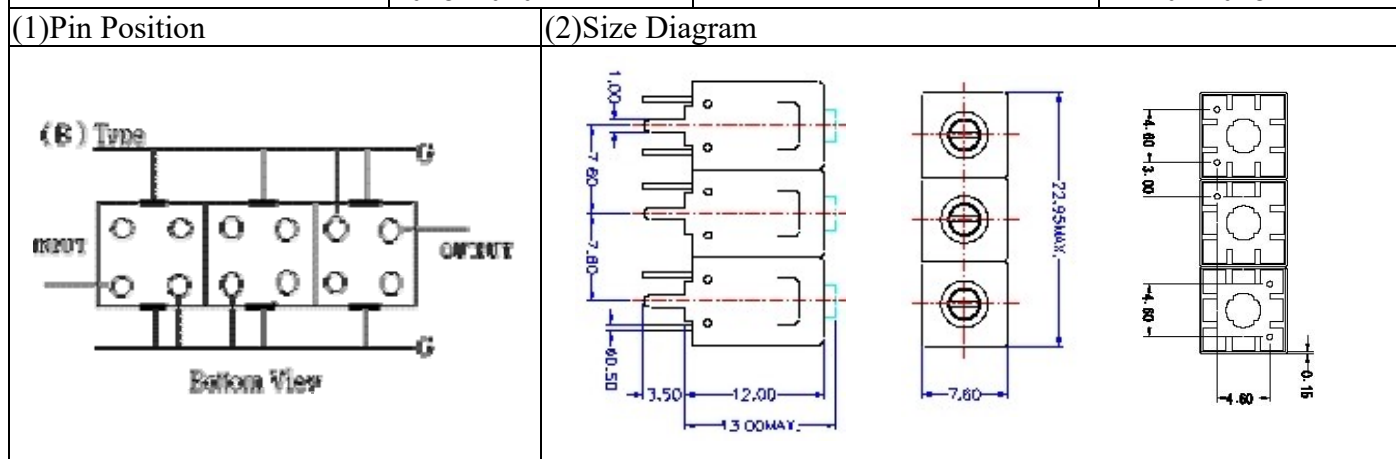


VHF UHF Helical Filter Specification Sheet

Customer Name		Temwell's Part No.	TT63835A-482.4M
Approval No. /dated	201811020CD	Temwell's Print name	63835A 482.4M
Work Instruction No.	201811020CD	Date	Nov.02.2018



(3) Electric Characteristic

Item	Specify	Performance	
Center Freq.(Fo) +/- 0.5 %	482.4 MHz	482.4 MHz	
Insertion Loss	Typ. 5.0 dB	3.96 dB	
-3 dB Bandwidth	Typ. 7 MHz	8.6 MHz	
Sensitivity (Attenuation)	Fo - 50 MHz	Typ. 65 dBc	70 dBc
	Fo + 50 MHz	Typ. 51 dBc	56 dBc
	Fo - ()MHz	Typ. dBc	dBc
	Fo +()MHz	Typ. dBc	dBc
Return Loss	Min. 12 dB	17.0 dB	
Ripple	< 1 dB	dB	
Impedance	In / Out : 50 Ω	In / Out : 50 Ω	

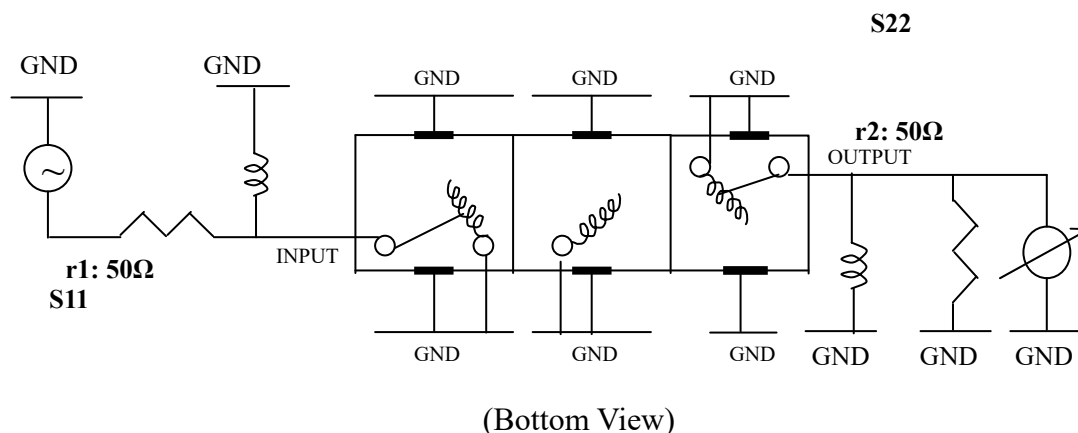
(4) Torque for Tuning Screw > 60gf · cm

(5) Temperature Condition:

Operating Temperature	0°C ~ +60°C
Storage Temperature	-20°C ~ +70°C

(6) Input Power > 1Watt

(7) Measuring Circuit: ※Easy to match Impedance S11/S22 50Ω by parallel with about(--) .

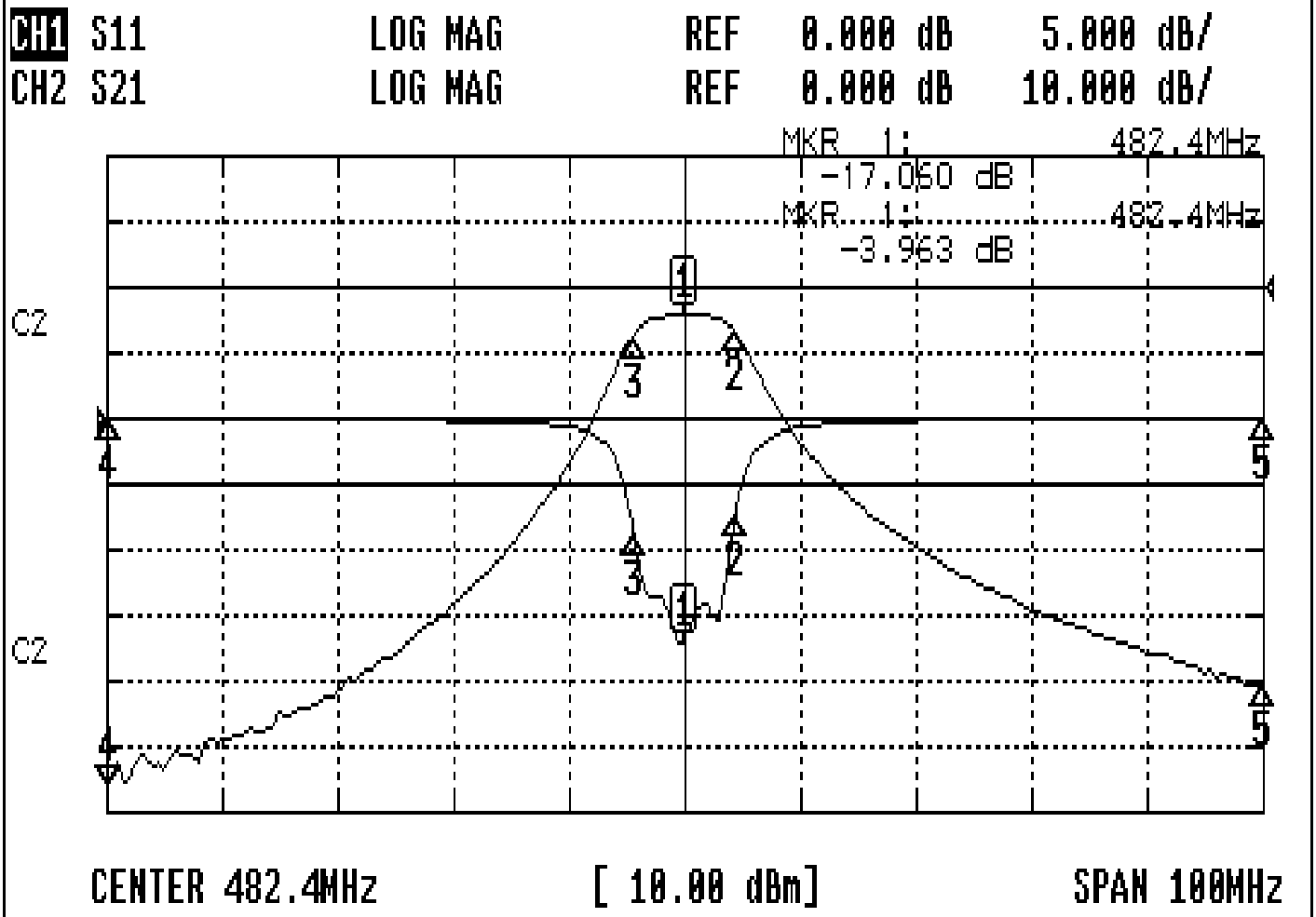


Approval	Supervisor	Designer	Aperture size
C.Y.Chang	C.K.Chang	Z.Y.Wang	7H3S(4*4.65)(4.68) 7H046LB4.5 聚 2

TEMWELL CORPORATION

Performance-TT63835A-482.4M

201811020CD



CH1 MARKER LIST

1:	482.400MHz	-17.060 dB
2:	486.780MHz	-7.508 dB
3:	478.100MHz	-9.051 dB
4:	432.400MHz	-0.052 dB
5:	532.400MHz	-0.038 dB

CH2 MARKER LIST

1:	482.400MHz	-3.963 dB
2:	486.780MHz	-16.999 dB
3:	478.100MHz	-16.933 dB
4:	432.400MHz	-74.035 dB
5:	532.400MHz	-60.624 dB