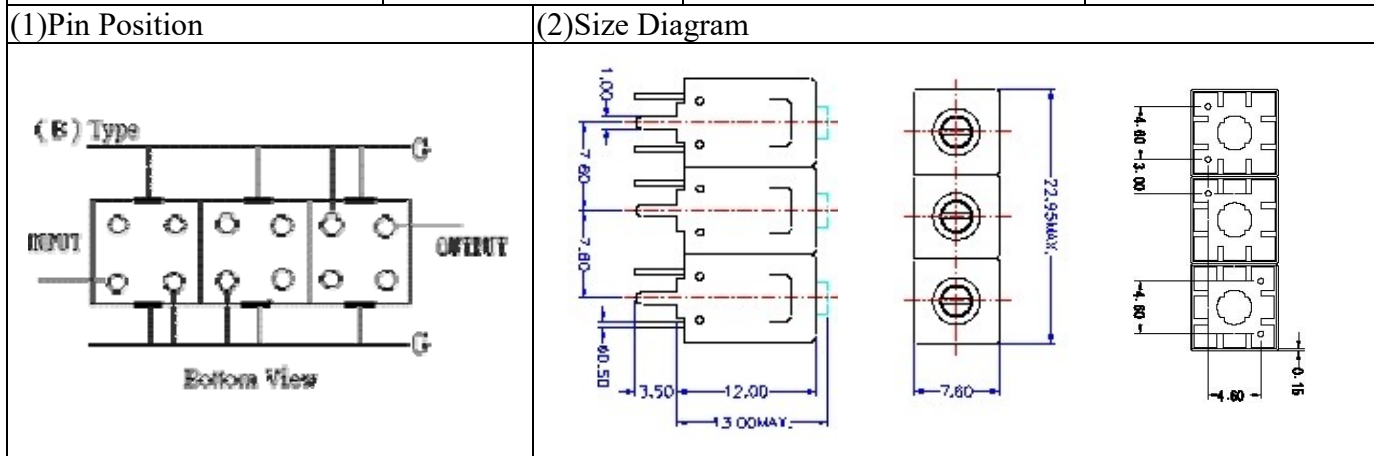


# VHF UHF Helical Filter Specification Sheet

Customer Name		Temwell's Part No.	TT63866B-837.5M
Approval No. /dated	201812024CD	Temwell's Print name.	63866B 837.5M
Work Instruction No.	201812024CD	Date	Dec.13.2018



(3) Electric Charasteric

Item	Specify	Performance	
Center Freq.(Fo) +/- 0.5 %	837.5 MHz	837.5 MHz	
Insertion Loss	Typ. 4.5 dB	3.38 dB	
-3 dB Bandwidth	Typ. 15 MHz	18.4 MHz	
Sensitivity (Attenuation)	Fo - 50 MHz	Typ. 45 dBc	50 dBc
	Fo + 50 MHz	Typ. 33 dBc	38 dBc
	Fo - ( ) MHz	Typ. dBc	dBc
	Fo + ( ) MHz	Typ. dBc	dBc
Return Loss	Min. 12 dB	32.4 dB	
Ripple	< 1 dB	dB	
Impedance	In / Out : 50 Ω	In / Out : 50 Ω	
(4) Torque for Tuning Screw	> 60gf • cm		

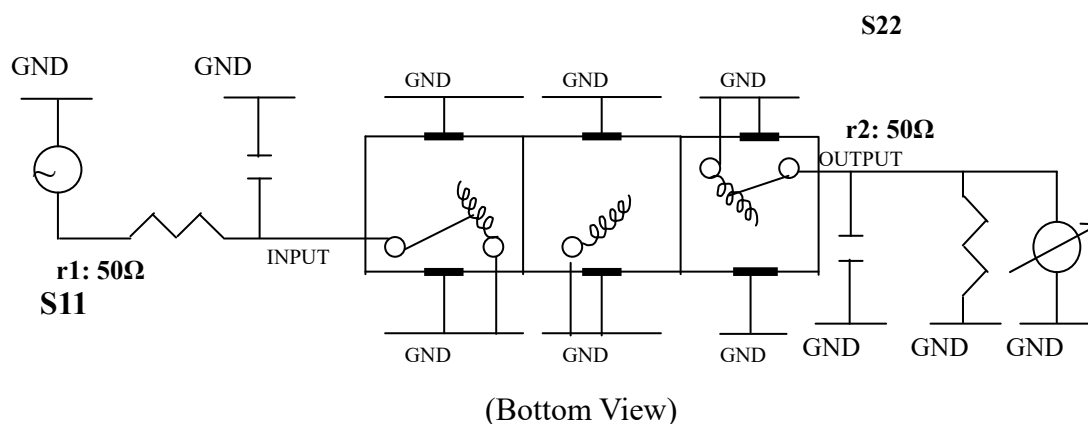
(5) Temperature Condition:

Operating Temperature	0°C ~ +60°C
Storage Temperature	-20°C ~ +70°C

(6) Input Power

> 1Watt
---------

(7) Measuring Circuit: ※Easy to match Impedance S11/S22 50Ω by parallel with about (-) .



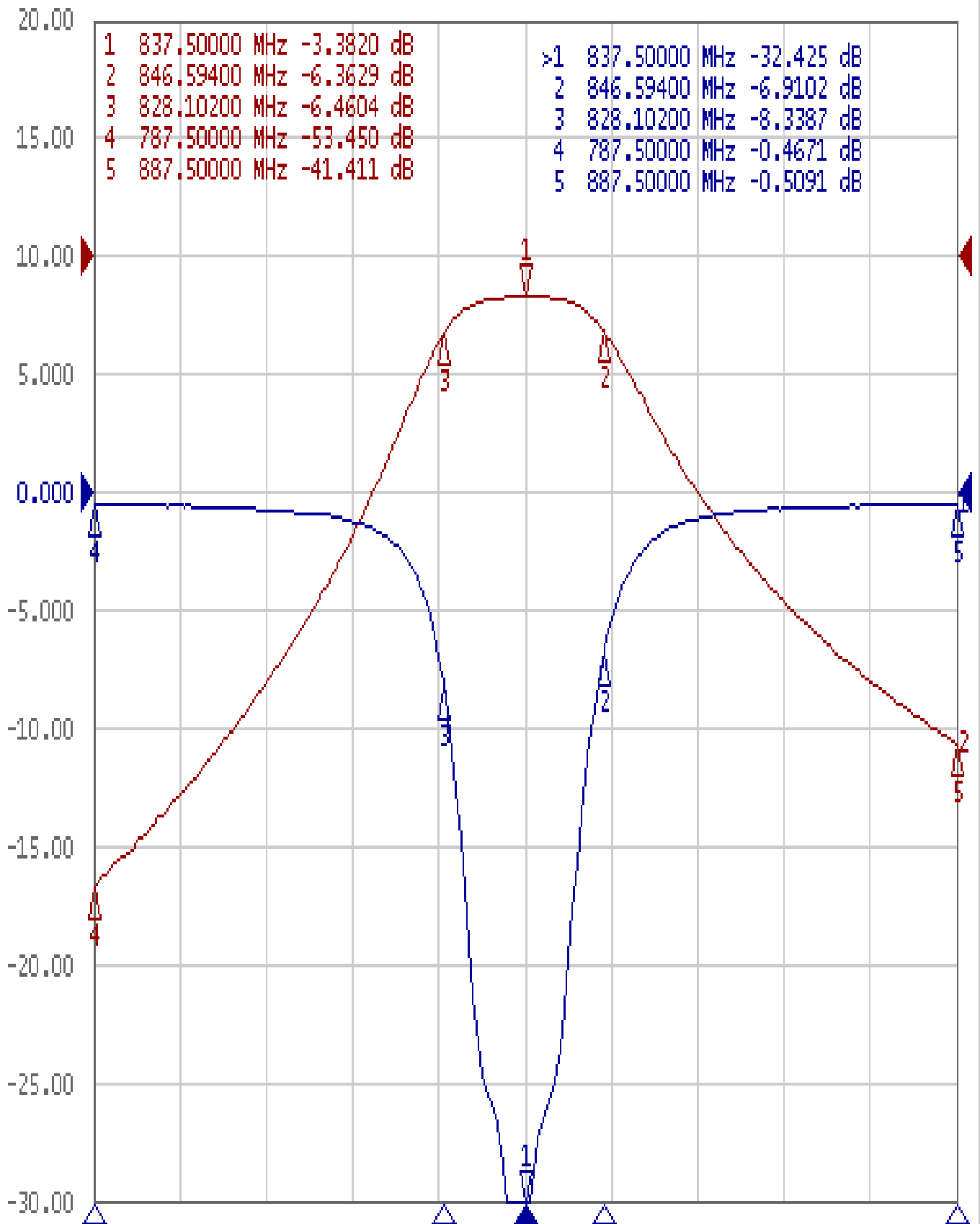
Approval	Supervisor	Designer	Aperture size
C.Y.Chang	C.K.Chang	W.W.Wang	7H3S(4*4.65)(4.68) 7H046RB4

TEMWELL CORPORATION

# Performance-TT63866B-837.5M

## 201812024CD

▶ Tr1 S11 Log Mag 5.000dB/ Ref 0.000dB [F2]  
Tr2 S21 Log Mag 10.00dB/ Ref 0.000dB [F2]



1 Center 837.5 MHz

IFBW 70 kHz

Span 100 MHz Cor !