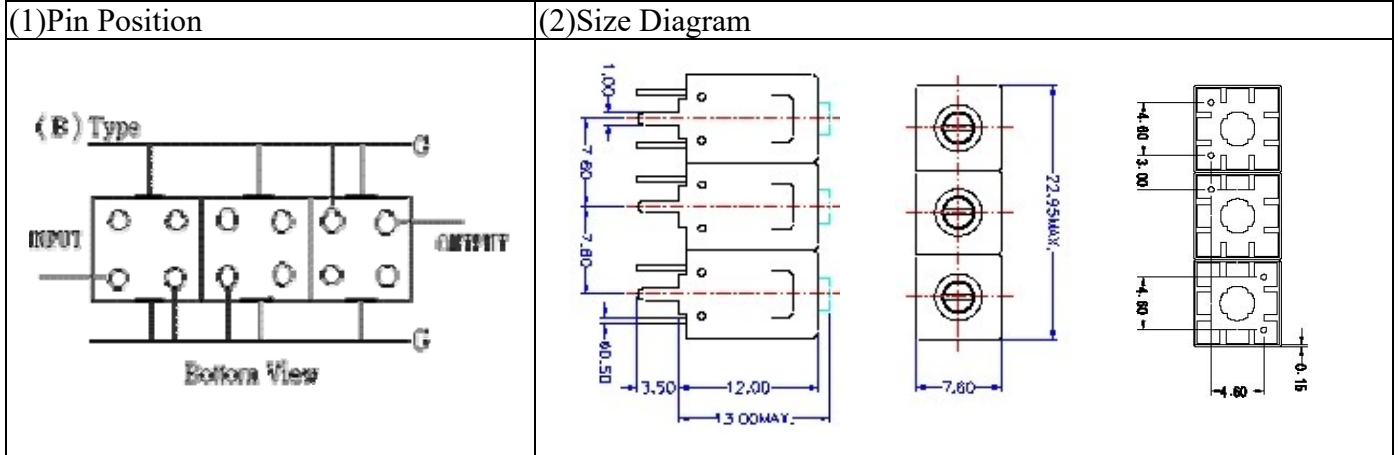


VHF UHF Helical Filter Specification Sheet

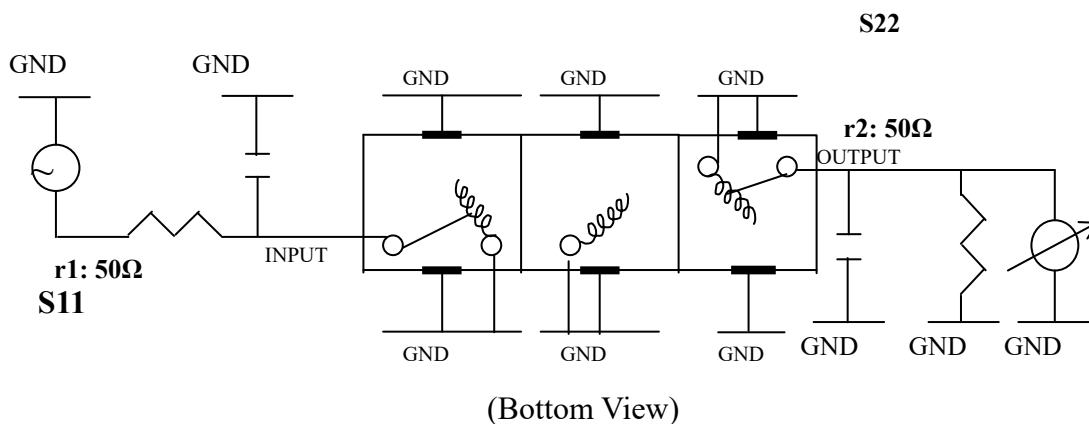
Customer Name		Temwell's Part No.	TT63868B-740M
Approval No. /dated	201812037CD	Temwell's Print name.	63868B 740M
Work Instruction No.	201812037CD	Date	Dec.06.2018



(3) Electric Chararistic		Specify	Performance
Item			
Center Freq.(Fo) +/- 0.5 %		740 MHz	740 MHz
Insertion Loss		Typ. 4.5 dB	3.73 dB
-3 dB Bandwidth		Typ. 12 MHz	13.4 MHz
Sensitivity (Attenuation)	Fo - 50 MHz	Typ. 44 dBc	49 dBc
	Fo + 50 MHz	Typ. 35 dBc	40 dBc
	Fo - () MHz	Typ. dBc	dBc
	Fo + () MHz	Typ. dBc	dBc
Return Loss		Min. 12 dB	27.3 dB
Ripple		< 1 dB	dB
Impedance		In / Out : 50 Ω	In / Out : 50 Ω
(4) Torque for Tuning Screw		> 60gf · cm	

(5) Temperature Condition:	
Operating Temperature	0°C ~ +60°C
Storage Temperature	-20°C ~ +70°C
(6) Input Power	> 1 Watt

(7) Measuring Circuit: ※Easy to match Impedance S11/S22 50Ω by parallel with about (-).

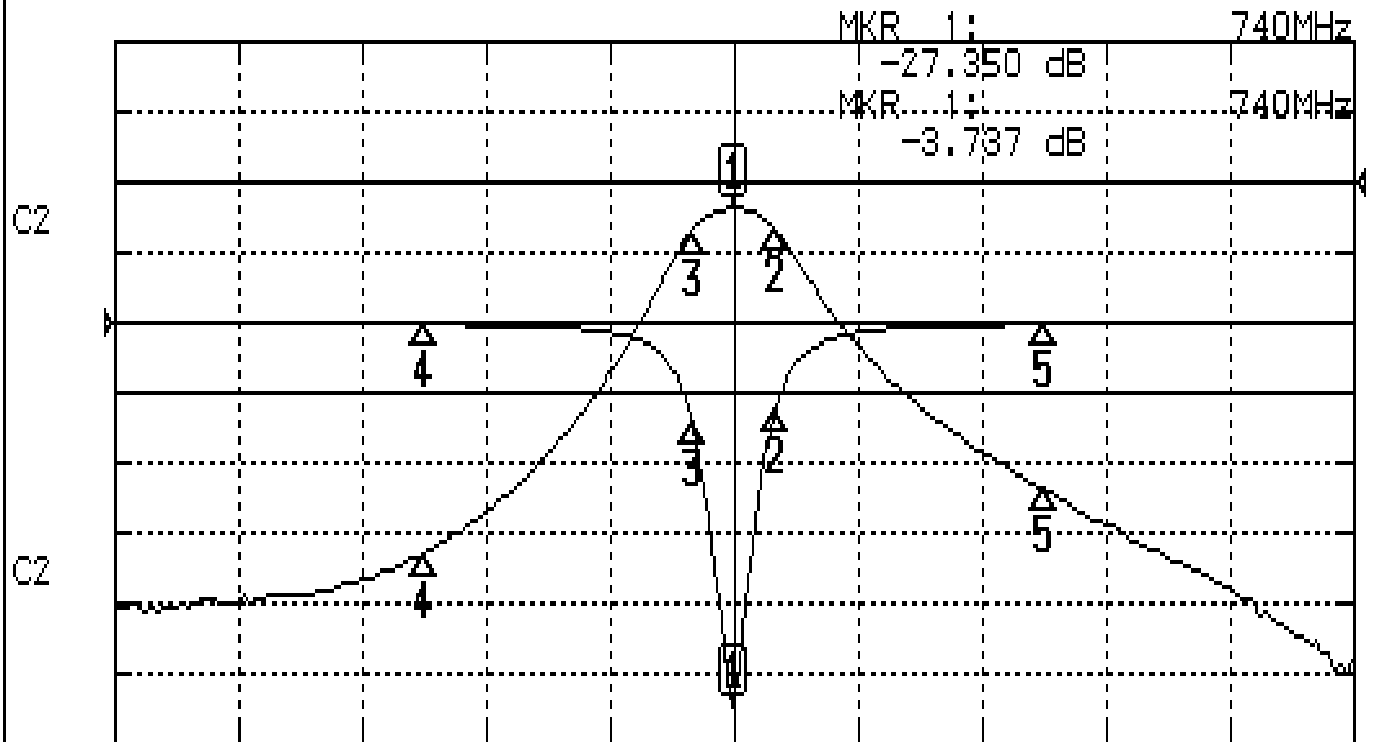


Approval C.Y.Chang	Supervisor C.K.Chang	Designer Z.Y.Wang	Aperture size 7H3S(4*5.35)(5.38) 7H046RB4
TEMWELL CORPORATION			

Performance-TT63868B-740M

201812037CD

CH1 S11 LOG MAG REF 0.000 dB 5.000 dB/
CH2 S21 LOG MAG REF 0.000 dB 10.000 dB/



CENTER 740MHz

[10.00 dBm]

SPAN 200MHz

CH1 MARKER LIST

1:	740.000MHz	-27.350 dB
2:	746.750MHz	-6.362 dB
3:	733.333MHz	-7.214 dB
4:	690.000MHz	-0.116 dB
5:	790.000MHz	-0.120 dB

CH2 MARKER LIST

1:	740.000MHz	-3.739 dB
2:	746.750MHz	-6.770 dB
3:	733.333MHz	-6.766 dB
4:	690.000MHz	-53.048 dB
5:	790.000MHz	-43.897 dB