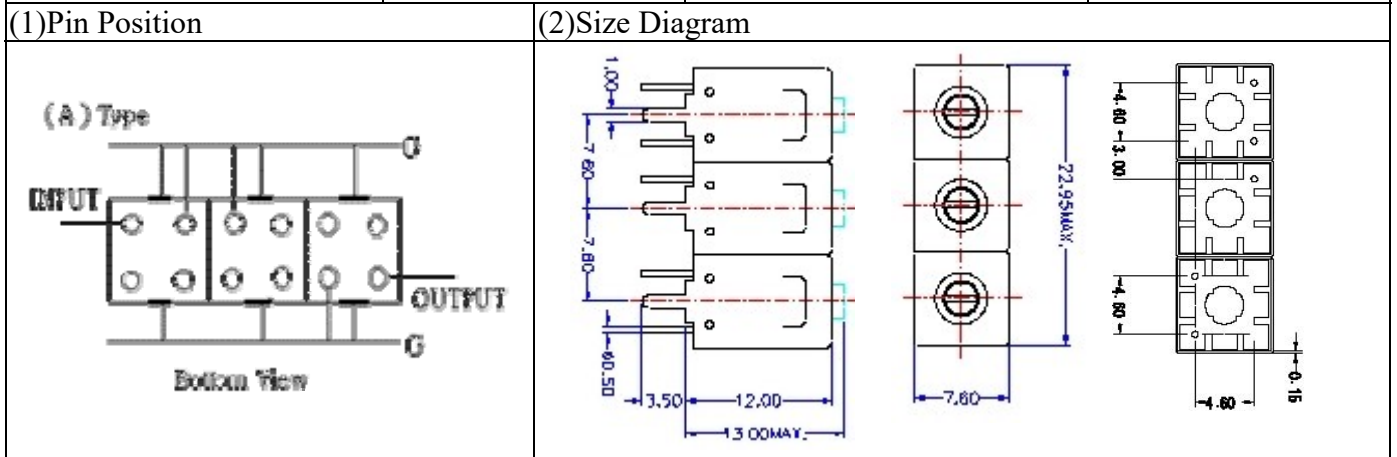


VHF UHF Helical Filter Specification Sheet

Customer Name		Temwell's Part No.	TT63873A-880M
Approval No. /dated	201812042CD	Temwell's Print Name	63873A 880M
Work Instruction No.	201812042CD	Date	Jan.15.2019



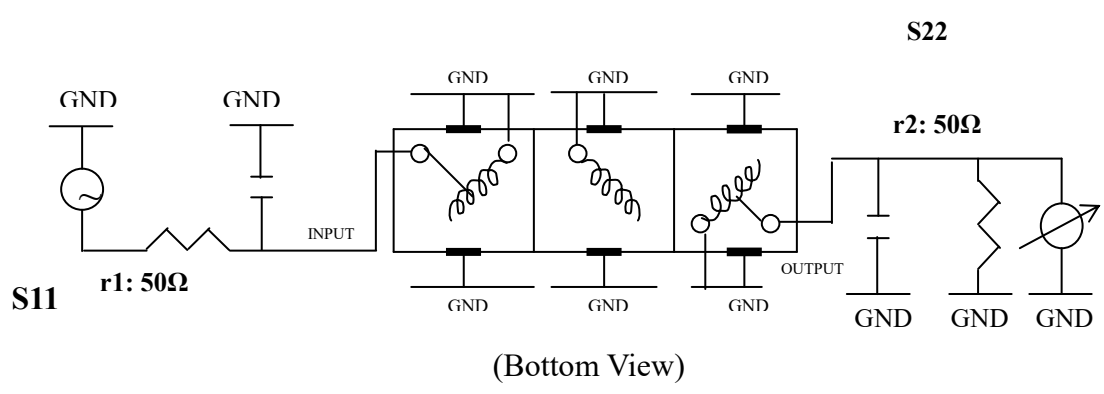
(3) Electric Chararctic		Item	Specify	Performance
Center Freq.(Fo) +/- 0.5 %			880 MHz	880 MHz
Insertion Loss		Typ.	5.0 dB	3.56 dB
-3 dB Bandwidth		Typ.	10 MHz	14.8 MHz
Sensitivity (Attenuation)	Fo - 50 MHz	Typ.	45 dBc	50 dBc
	Fo + 50 MHz	Typ.	32 dBc	38 dBc
	Fo - ()MHz	Typ.	dBc	dBc
	Fo +()MHz	Typ.	dBc	dBc
Return Loss		Min.	12 dB	27.2 dB
Ripple			< 1 dB	dB
Impedance			In / Out : 50 Ω	In / Out : 50 Ω

(4) Torque for Tuning Screw > 60gf · cm

(5) Temperature Condition:	
Operating Temperature	0°C ~ +60°C
Storage Temperature	-20°C ~ +70°C

(6) Input Power > 1Watt

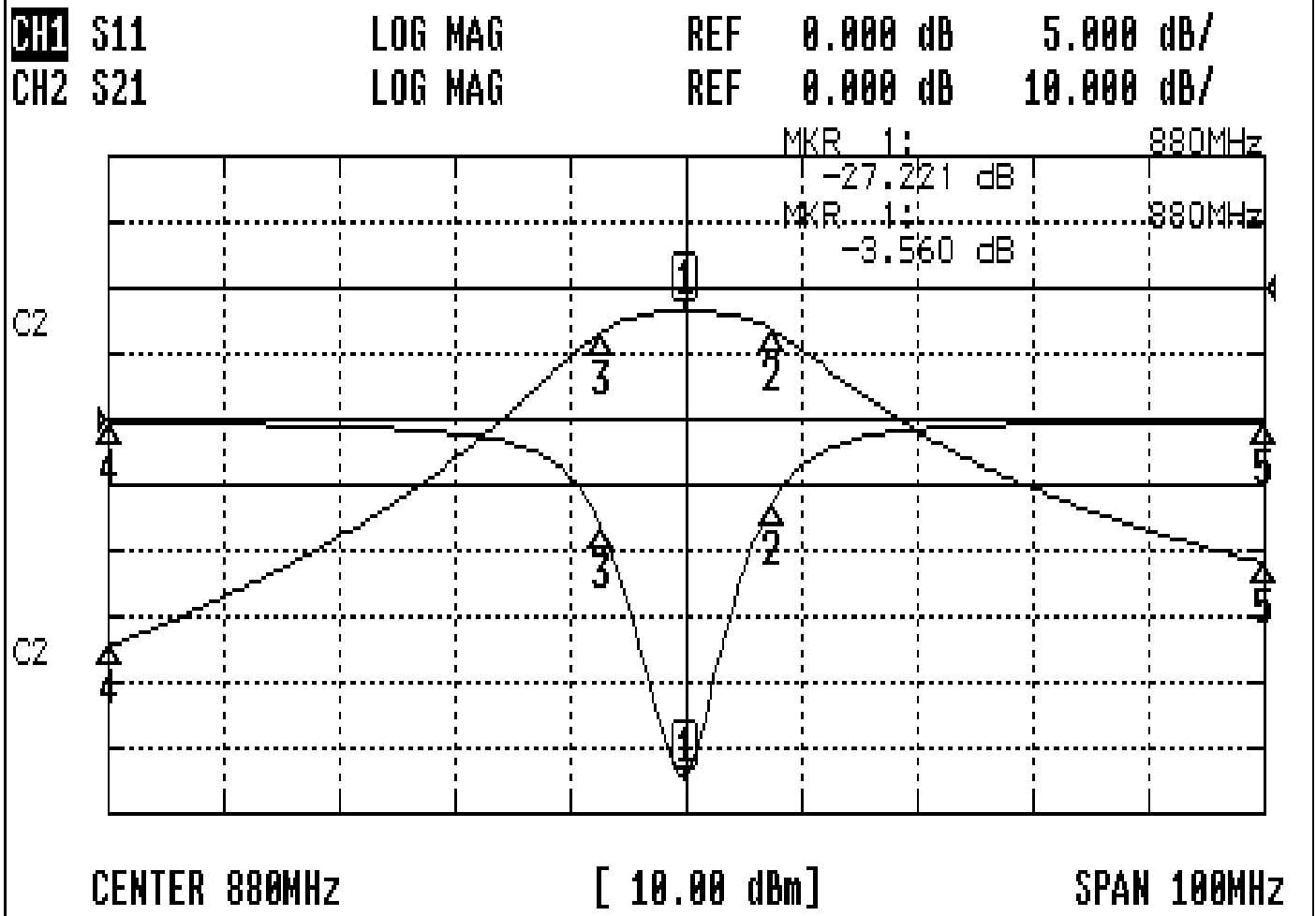
(7) Measuring Circuit: ※Easy to match Impedance S11/S22 50Ω by parallel with about(- -).



Approval C.Y.Chang	Supervisor C.K.Chang	Designer M.Y.Kang	Aperture size 7H3S(4*4.5)(4.56) 7H046LB4.3 聚 3
-----------------------	-------------------------	----------------------	--

Performance-TT63873A-880M

201812042CD



CH1 MARKER LIST

Marker	Frequency (MHz)	Magnitude (dB)
1	880.000	-27.221
2	887.600	-6.222
3	872.730	-8.217
4	830.000	-0.307
5	930.000	-0.222

CH2 MARKER LIST

Marker	Frequency (MHz)	Magnitude (dB)
1	880.000	-3.560
2	887.600	-6.547
3	872.730	-6.542
4	830.000	-54.404
5	930.000	-41.840