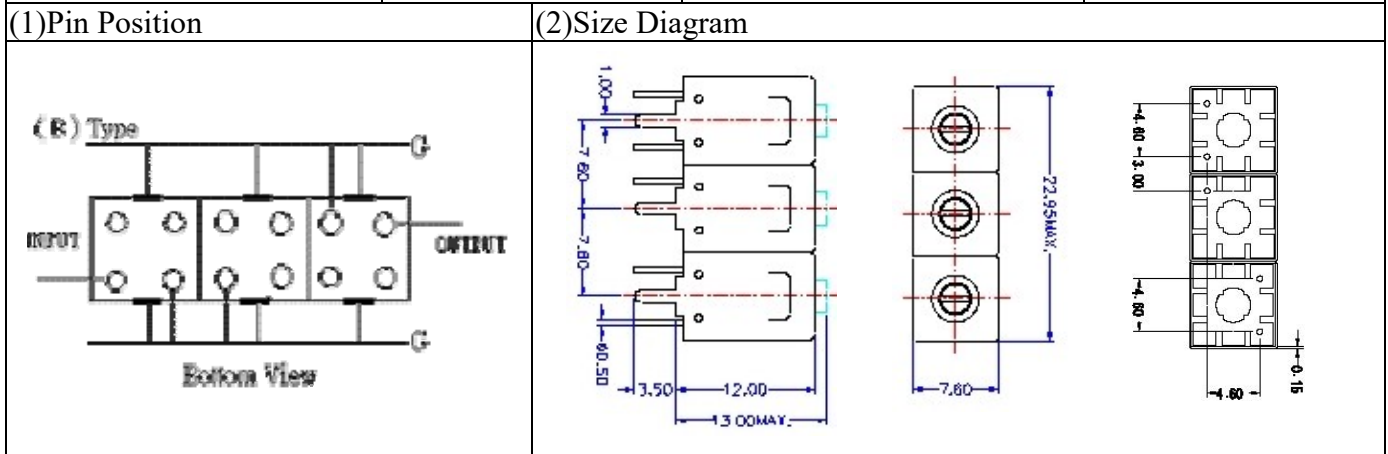


VHF UHF Helical Filter Specification Sheet

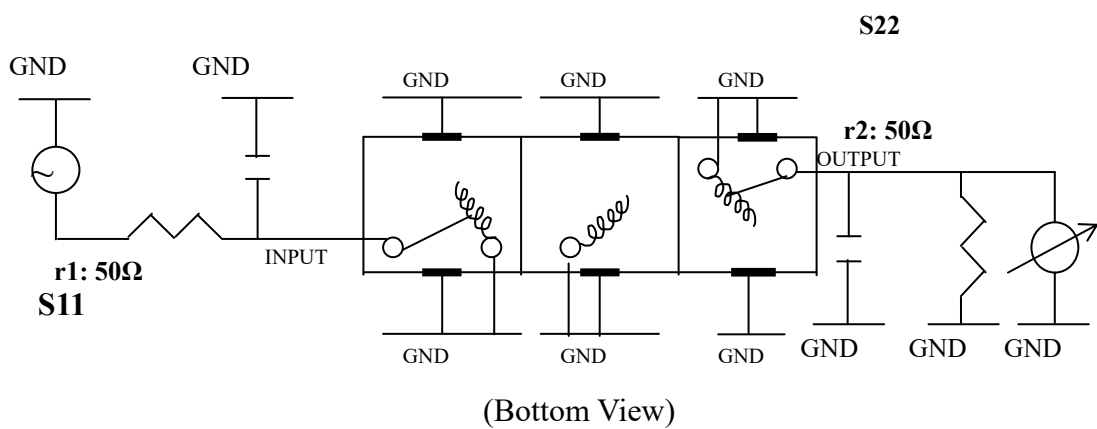
Customer Name		Temwell's Part No.	TT63874A-881.5M
Approval No. /dated	201812043CD	Temwell's Print name.	63874A 881.5M
Work Instruction No.	201812043CD	Date	Dec.28.2018



(3) Electric Chararctic					
Item		Specify		Performance	
Center Freq.(Fo) +/- 0.5 %		881.5 MHz		881.5 MHz	
Insertion Loss		Typ. 3.0 dB		2.21 dB	
-3 dB Bandwidth		Typ. 25 MHz		26.4 MHz	
Sensitivity (Attenuation)	Fo - 50 MHz	Typ. 30 dBc		33 dBc	
	Fo + 50 MHz	Typ. 20 dBc		23 dBc	
	Fo - () MHz	Typ dBc		dBc	
	Fo + () MHz	Typ. dBc		dBc	
Return Loss		Min. 12 dB		26.4 dB	
Ripple		< 1 dB		dB	
Impedance		In / Out : 50 Ω		In / Out : 50 Ω	
(4) Torque for Tuning Screw		> 60gf · cm			

(5) Temperature Condition:	
Operating Temperature	0°C ~ +60°C
Storage Temperature	-20°C ~ +70°C
(6) Input Power	> 1Watt

(7) Measuring Circuit: ※Easy to match Impedance S11/S22 50Ω by parallel with about (--).



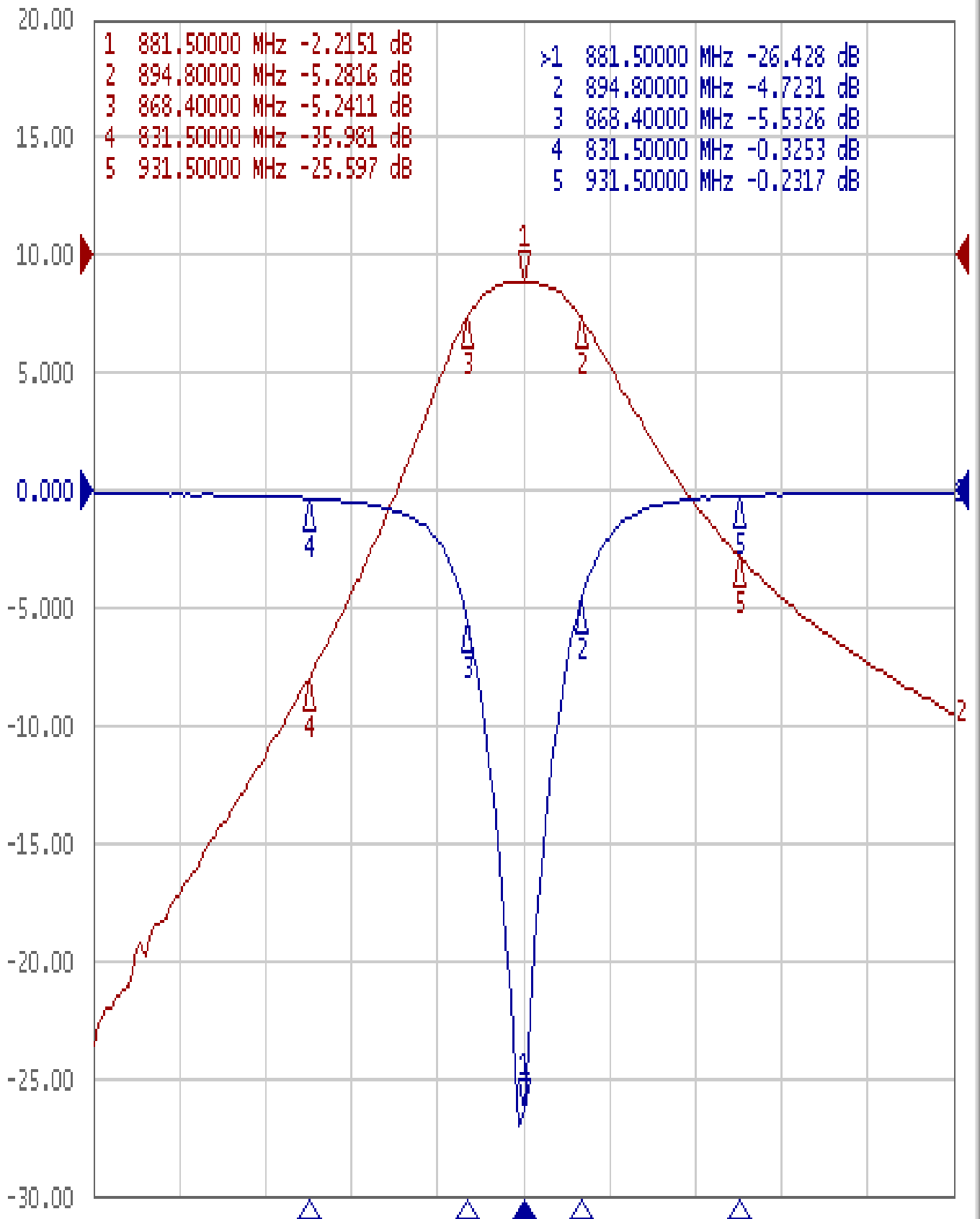
Approval	Supervisor	Designer	Aperture size
C.Y.Chang	C.K.Chang	W.W.Wang	7H3S(4*6.5)(6.53) 7H046LB4.3 聚 3

TEMWELL CORPORATION

Performance-TT63874A-881.5M

201812043CD

▶ Tr1 S11 Log Mag 5.000dB/ Ref 0.000dB [F2]
Tr2 S21 Log Mag 10.00dB/ Ref 0.000dB [F2]



1 Center 881.5 MHz

IFBW 70 kHz

Span 200 MHz Cor !