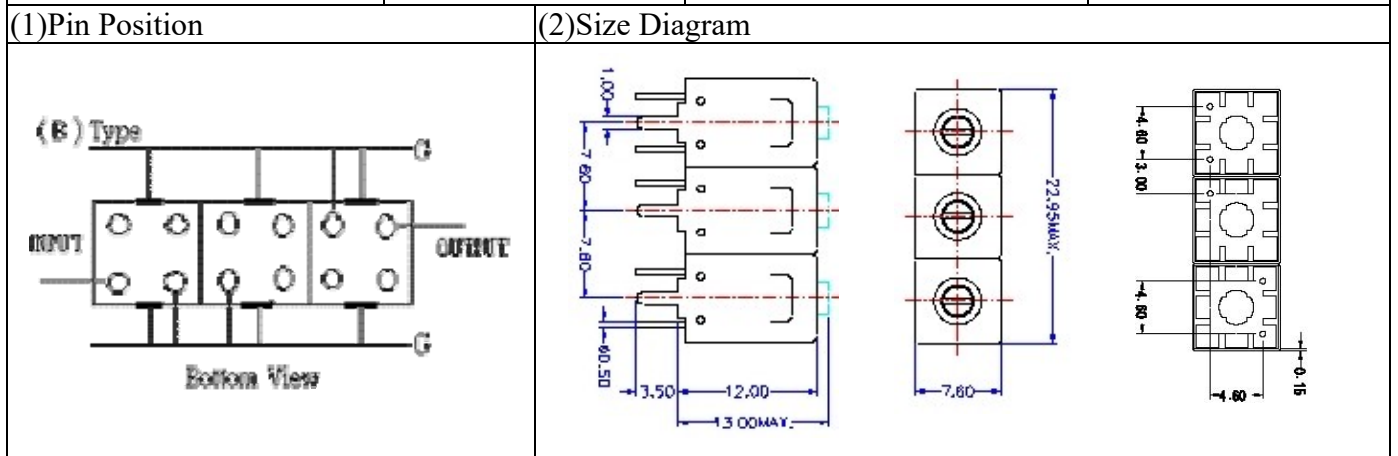


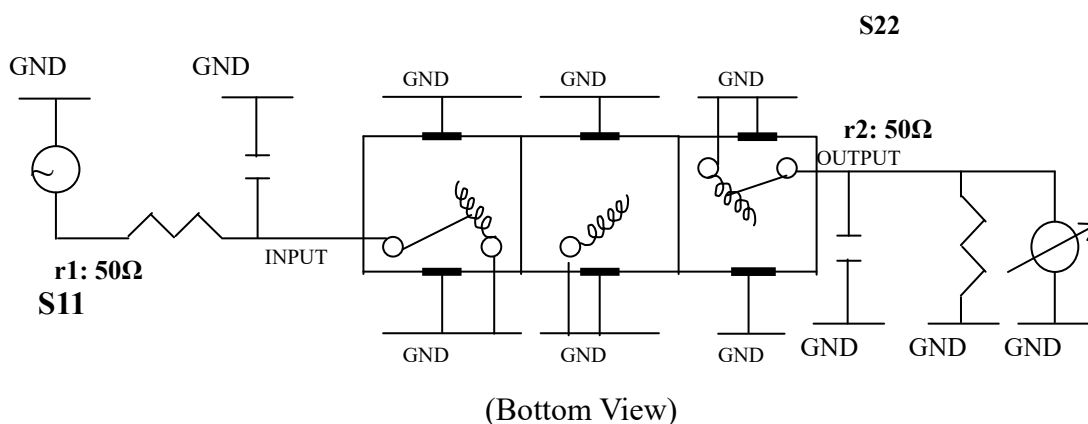
VHF UHF Helical Filter Specification Sheet

Customer Name		Temwell's Part No.	TT63877B-1485.9M
Approval No. /dated	201812046CD	Temwell's Print name.	63877B 1485.9M
Work Instruction No.	201812046CD	Date	Jan.09.2019



(3) Electric Chararistic		
Item	Specify	Performance
Center Freq.(Fo) +/- 0.5 %	1485.9 MHz	1485.9 MHz
Insertion Loss	Typ. 5.0 dB	4.46 dB
-3 dB Bandwidth	Typ. 20 MHz	24.4 MHz
Sensitivity (Attenuation)	Fo - 100 MHz	Typ. 50 dBc
	Fo + 100 MHz	Typ. 33 dBc
	Fo - () MHz	Typ dBc
	Fo + () MHz	Typ. dBc
Return Loss	Min. 12 dB	22.9 dB
Ripple	< 1 dB	dB
Impedance	In / Out : 50 Ω	In / Out : 50 Ω
(4) Torque for Tuning Screw		
		> 60gf · cm
(5) Temperature Condition:		
Operating Temperature	0°C ~ +60°C	
Storage Temperature	-20°C ~ +70°C	
(6) Input Power		
		> 1Watt

(7) Measuring Circuit: ※Easy to match Impedance S11/S22 50Ω by parallel with about (-) .



Approval	Supervisor	Designer	Aperture size
C.Y.Chang	C.K.Chang	P.H.Chiang	7H3S(4*6.35)(6.39) 7H046RB4
TEMWELL CORPORATION			

Performance-TT63877B-1485.9M

201812046CD

