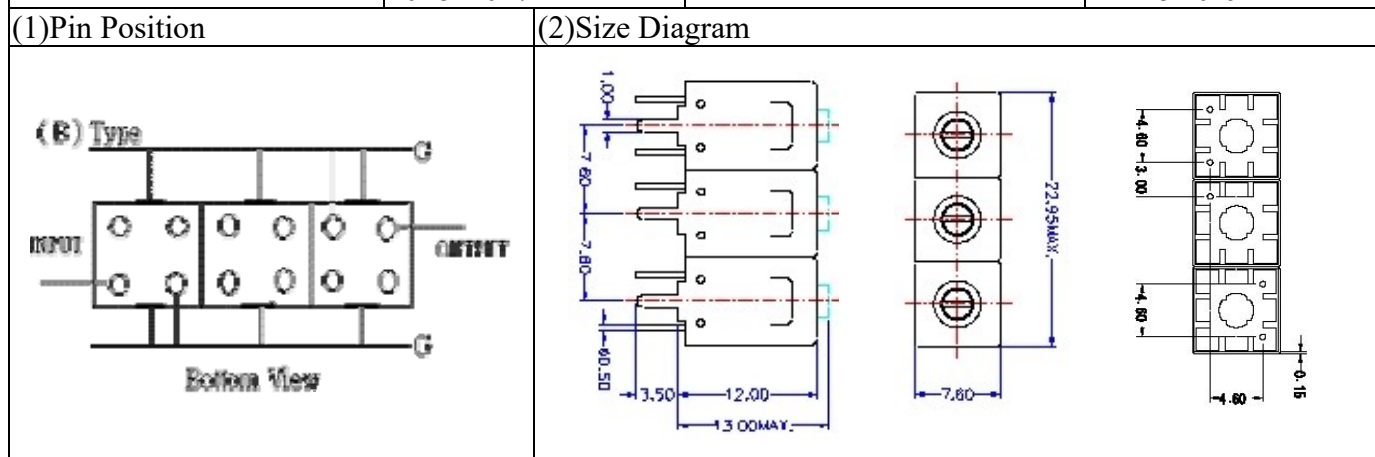


VHF UHF Helical Filter Specification Sheet

Customer Name		Temwell's Part No.	TT63878B-1503.4M
Approval No. /dated	201812047CD	Temwell's Print name.	63878B 1503.4M
Work Instruction No.	201812047CD	Date	Jan.18.2019



(3) Electric Chararistic

Item	Specify	Performance	
Center Freq.(Fo) +/- 0.5 %	1503.4 MHz	1503.4 MHz	
Insertion Loss	Typ. 6.0 dB	4.82 dB	
-3 dB Bandwidth	Typ. 15 MHz	26.0 MHz	
Sensitivity (Attenuation)	Fo - 50 MHz	Typ. 23 dBc	28 dBc
	Fo + 50 MHz	Typ. 15 dBc	20 dBc
	Fo - () MHz	Typ dBc	dBc
	Fo + () MHz	Typ. dBc	dBc
Return Loss	Min. 12 dB	26.6 dB	
Ripple	< 1 dB	dB	
Impedance	In / Out : 50 Ω	In / Out : 50 Ω	
(4) Torque for Tuning Screw	> 60gf · cm		

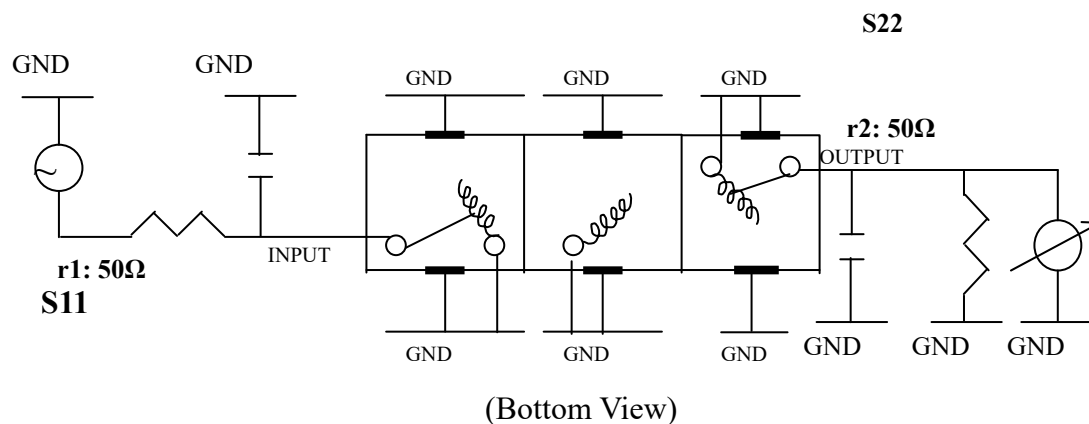
(5) Temperature Condition:

Operating Temperature	0°C ~ +60°C
Storage Temperature	-20°C ~ +70°C

(6) Input Power

> 1Watt

(7) Measuring Circuit: ※Easy to match Impedance S11/S22 50Ω by parallel with about (-).



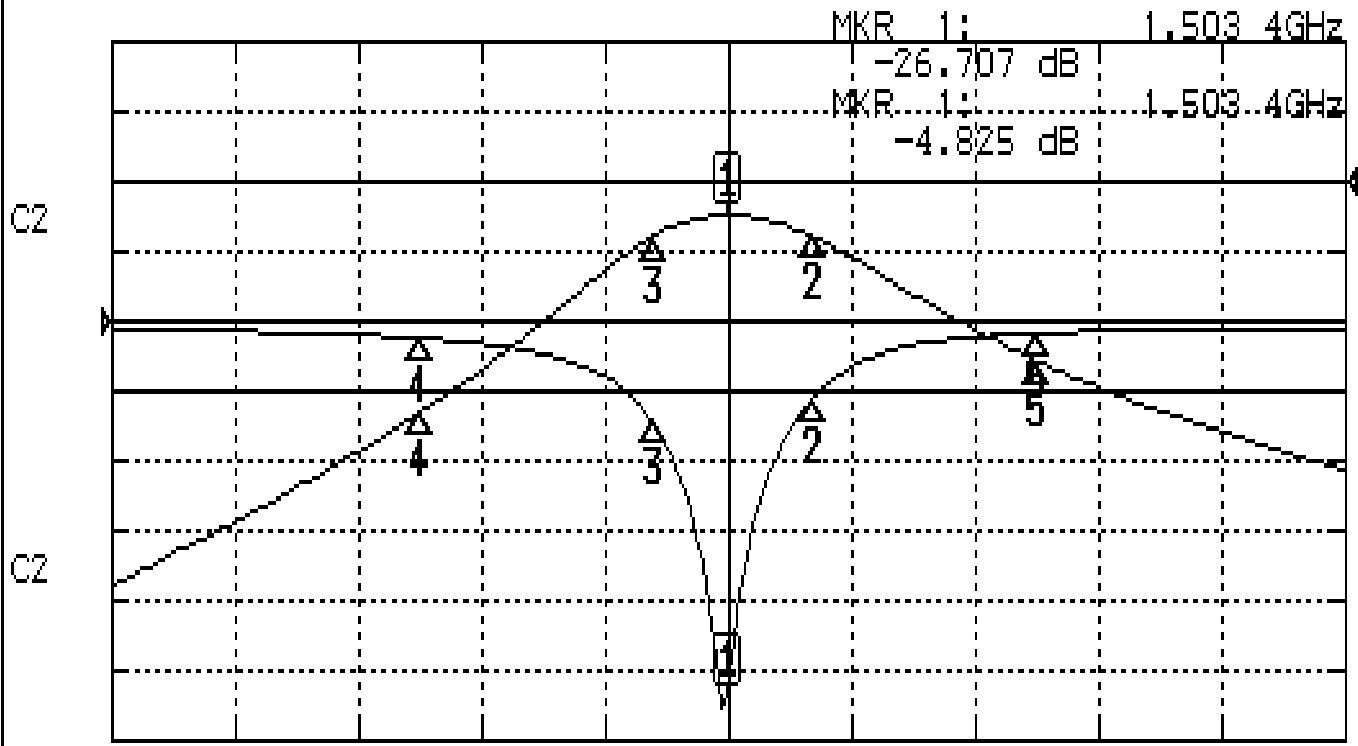
Approval	Supervisor	Designer	Aperture size
C.Y.Chang	C.K.Chang	M.Y.Kang	7H3S(4*6.35)(6.40) 7H046RB4.3 聚 3 (J1)

TEMWELL CORPORATION

Performance-TT63878B-1503.4M

201812047CD

CH1 S11 LOG MAG REF 0.000 dB 5.000 dB/
 CH2 S21 LOG MAG REF 0.000 dB 10.000 dB/



CENTER 1.503 4GHz

[10.00 dBm]

SPAN 200MHz

CH1 MARKER LIST

1:	1.503	400GHz	-26.672	dB
2:	1.517	066GHz	-5.565	dB
3:	1.491	066GHz	-7.168	dB
4:	1.453	400GHz	-1.189	dB
5:	1.553	400GHz	-0.834	dB

CH2 MARKER LIST

1:	1.503	400GHz	-4.825	dB
2:	1.517	066GHz	-7.825	dB
3:	1.491	066GHz	-7.845	dB
4:	1.453	400GHz	-32.965	dB
5:	1.553	400GHz	-25.596	dB