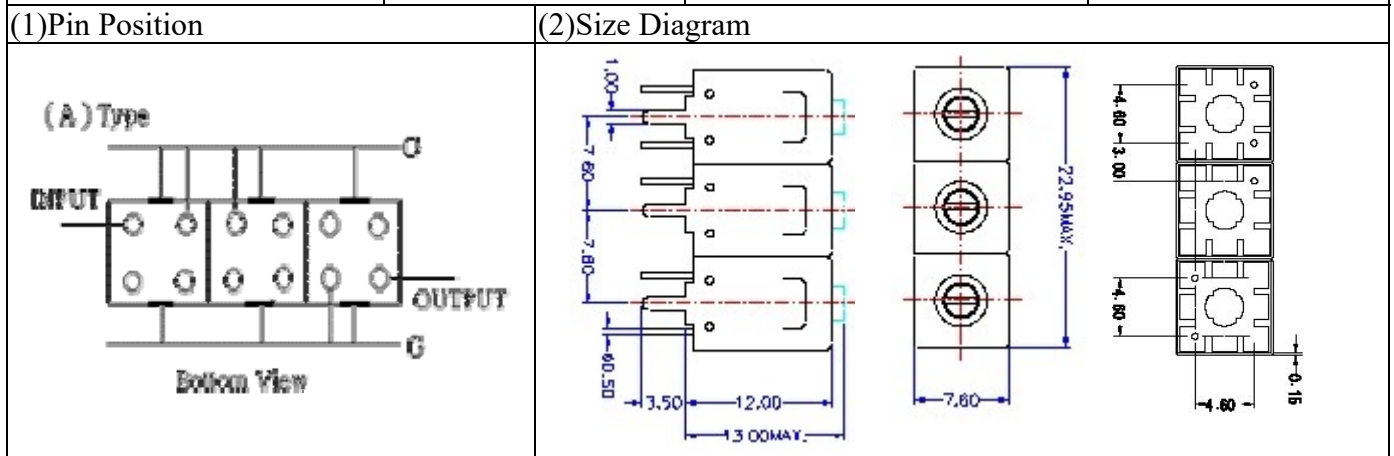


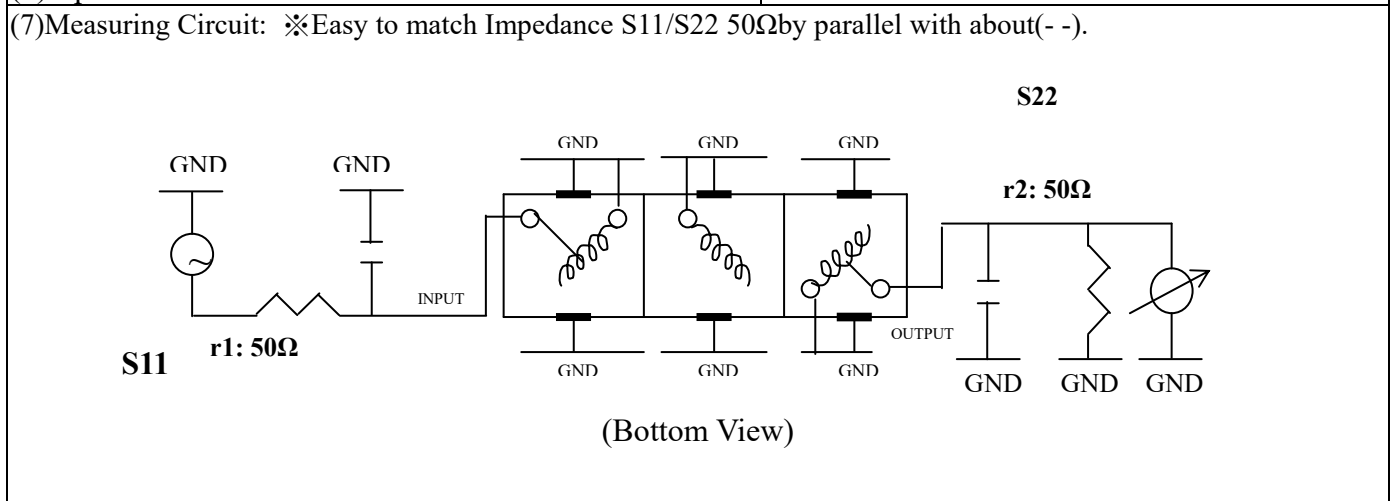
# VHF UHF Helical Filter Specification Sheet

Customer Name		Temwell's Part No.	TT63879A-707.5M
Approval No. /dated	201812048CD	Temwell's Print Name	63879A 707.5M
Work Instruction No.	201812048CD	Date	Jan.16.2019



(3) Electric Chararistic		Specify	Performance
Item			
Center Freq.(Fo) +/- 0.5 %		707.5 MHz	707.5 MHz
Insertion Loss		Typ. 3.5 dB	2.51 dB
-3 dB Bandwidth		Typ. 17 MHz	19.6 MHz
Sensitivity (Attenuation)	Fo - 50 MHz	Typ. 39 dBc	45 dBc
	Fo + 50 MHz	Typ. 28 dBc	32 dBc
	Fo - ( )MHz	Typ. dBc	dBc
	Fo +( )MHz	Typ. dBc	dBc
Return Loss		Min. 12 dB	20.5 dB
Ripple		< 1 dB	dB
Impedance		In / Out : 50 Ω	In / Out : 50 Ω
(4) Torque for Tuning Screw		> 60gf · cm	

(5) Temperature Condition:	
Operating Temperature	0°C ~ +60°C
Storage Temperature	-20°C ~ +70°C
(6) Input Power	> 1Watt

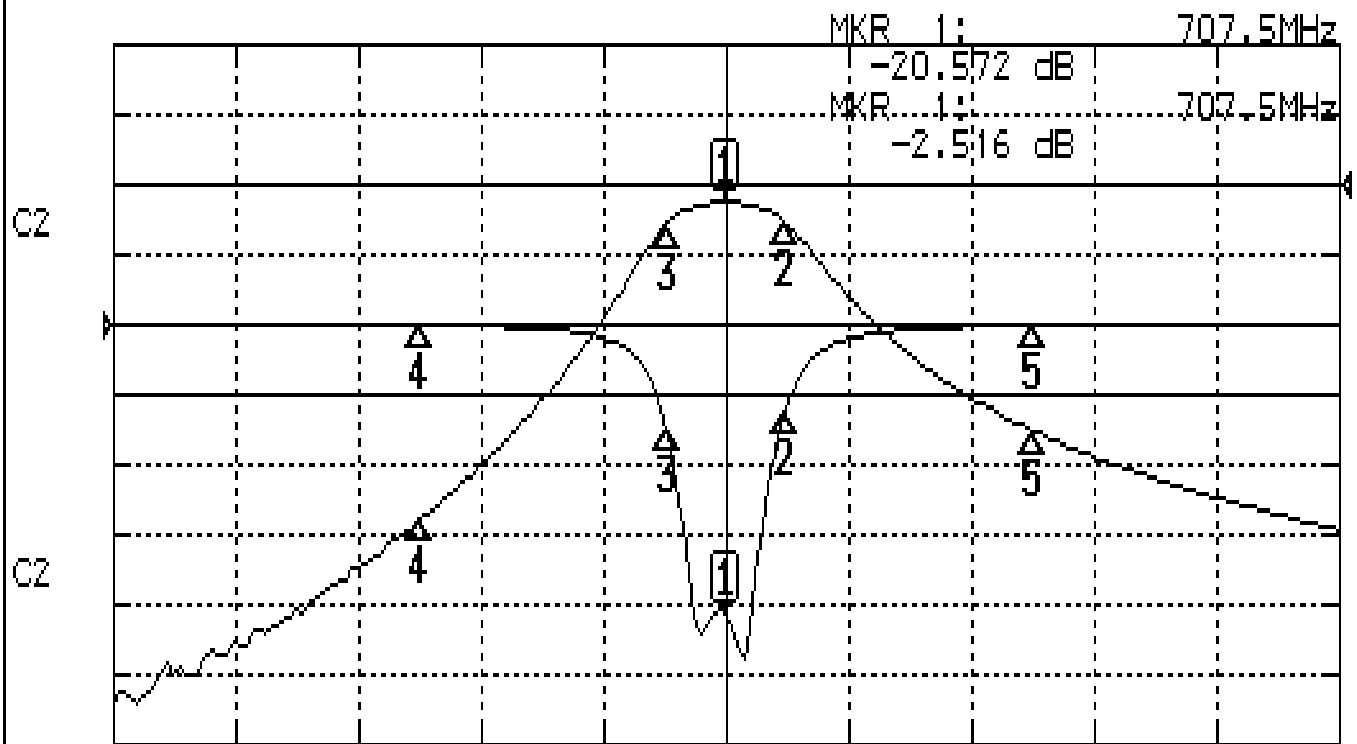


Approval	Supervisor	Designer	Aperture size
C.Y.Chang	C.K.Chang	M.Y.Kang	7H3S(4*5.35)(5.39) 7H046LB4.3 聚 3
TEMWELL CORPORATION			

# Performance-TT63879A-707.5M

## 201812048CD

CH1 S11 LOG MAG REF 0.000 dB 5.000 dB/  
CH2 S21 LOG MAG REF 0.000 dB 10.000 dB/



CENTER 707.5MHz

[ 10.00 dBm ]

SPAN 200MHz

### CH1 MARKER LIST

1	707.500MHz	-20.572 dB
2	717.380MHz	-5.919 dB
3	697.780MHz	-7.448 dB
4	657.500MHz	-0.020 dB
5	757.500MHz	-0.044 dB

### CH2 MARKER LIST

1	707.500MHz	-2.516 dB
2	717.380MHz	-1.535 dB
3	697.780MHz	-1.531 dB
4	657.500MHz	-48.026 dB
5	757.500MHz	-35.146 dB