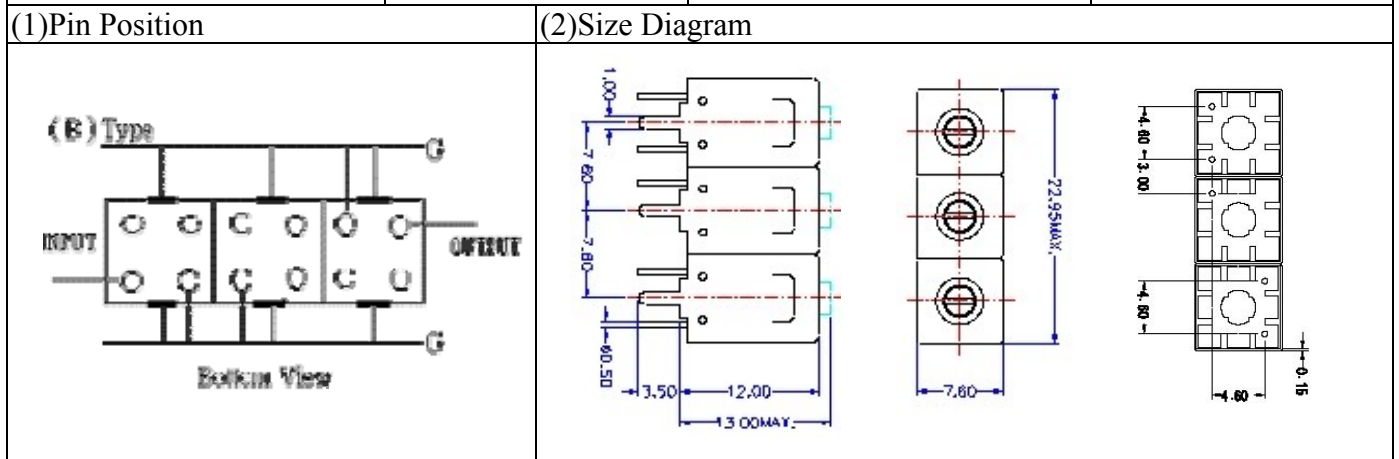


VHF UHF Helical Filter Specification Sheet

Customer Name		Temwell's Part No.	TT6388B1-98M
Approval No. /dated	0807063CD	Temwell's Print name	96~107M
Work Instruction No.	0807063CD	Date	Jul.21.2008



(3) Electric Characteristic

Item	Specify	Performance
Center Freq.(Fo) +/- 0.5 %	98 MHz	98 MHz
Tunable Range:	98±2 MHz	98±2 MHz
Insertion Loss	Typ. 2.0 dB	0.92 dB
-3 dB Bandwidth	Typ. 20 MHz	22.7 MHz
Sensitivity (Attenuation)	Fo - 30 MHz	Typ. 30 dBc
	Fo + 30 MHz	Typ. 25 dBc
	Fo - ()MHz	Typ. dBc
	Fo +()MHz	Typ. dBc
Return Loss	Min. 12 dB	22.7 dB
Ripple	< 1 dB	dB
Impedance	In / Out : 50 Ω	In / Out : 50 Ω

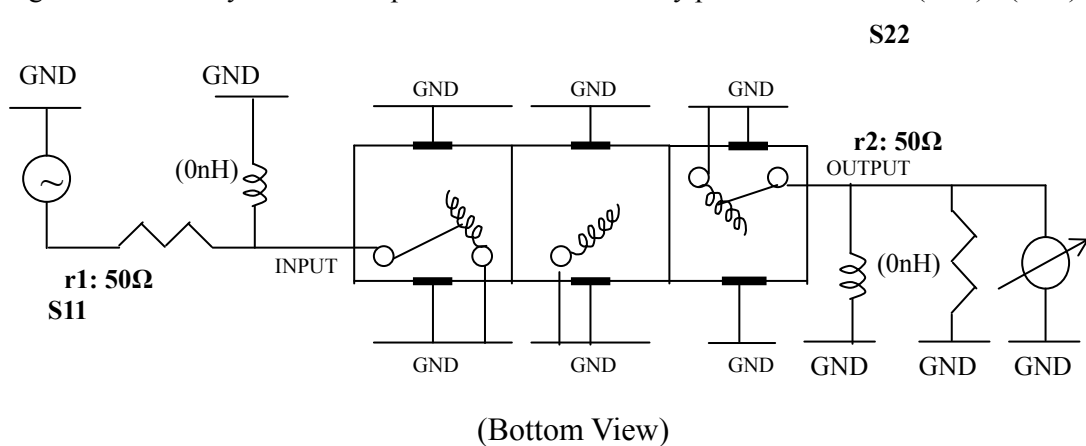
(4) Torque for Tuning Screw > 100gf · cm

(5) Temperature Condition:

Operating Temperature	0°C ~ +60°C
Storage Temperature	-20°C ~ +70°C

(6) Input Power > 1Watt

(7) Measuring Circuit: ※Easy to match Impedance S11/S22 50Ω by parallel with about(0nH) / (0nH).



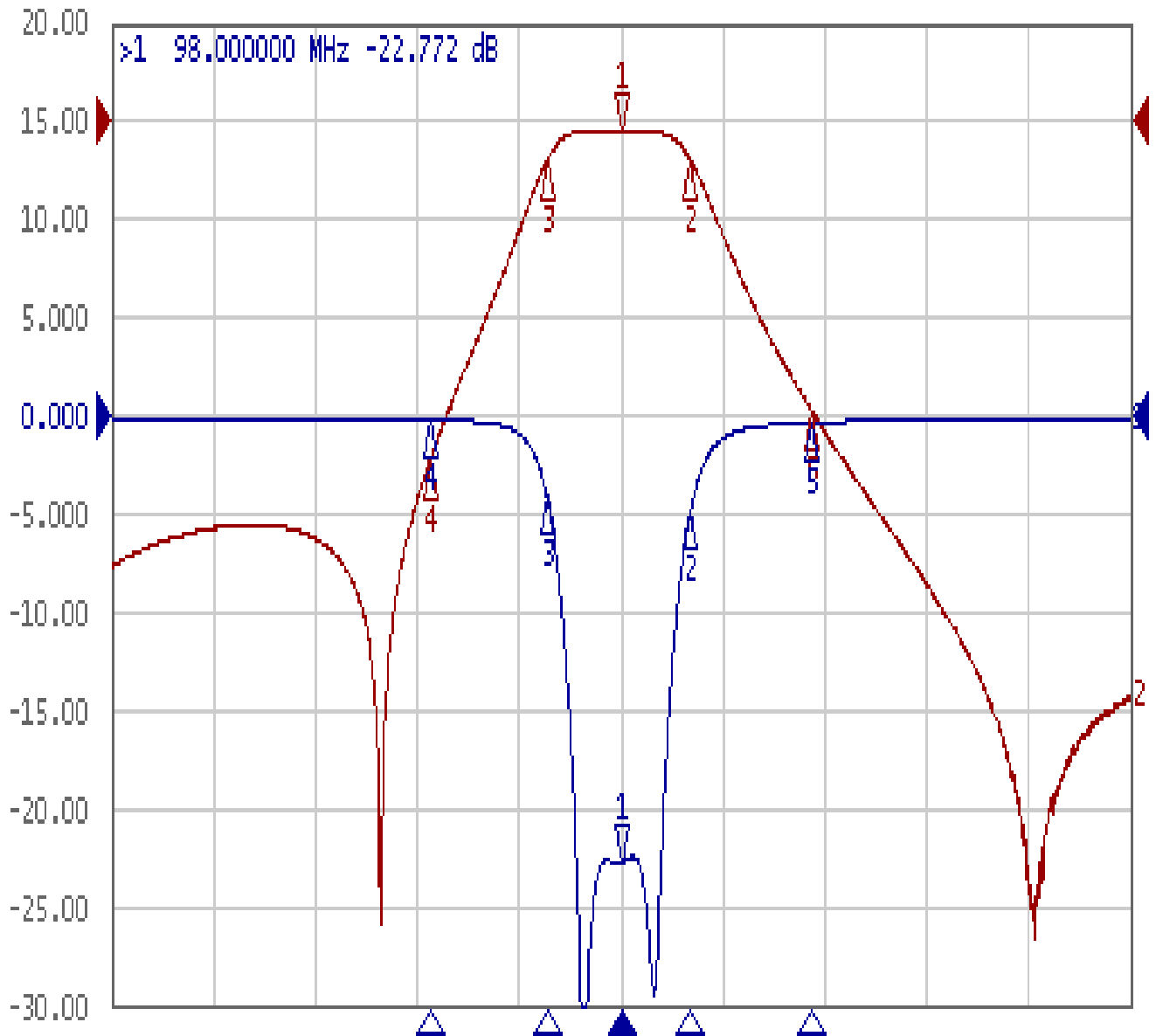
Approval	Supervisor	Designer	Aperture size
C.Y.Chang	C.S.Chang	C.S.Chang	7H3(4*8.0F) 7H024LB6.5

TEMWELL CORPORATION

Performance-TT6388B1-98M

0807063CD

▶ Tr1 S11 Log Mag 5.000dB/ Ref 0.000dB [F3]
Tr2 S21 Log Mag 10.00dB/ Ref 0.000dB [F3]



1 Center 98 MHz

IFBW 10 kHz

Span 160 MHz



Ch1	Tr1	S11	>1	98.000000	MHz	-22.772	dB
Ch1	Tr1	S11	2	108.92400	MHz	-4.7419	dB
Ch1	Tr1	S11	3	86.354000	MHz	-4.1308	dB
Ch1	Tr1	S11	4	68.000000	MHz	-0.1981	dB
Ch1	Tr1	S11	5	128.00000	MHz	-0.3157	dB
Ch1	Tr2	S21	1	98.000000	MHz	-0.9231	dB
Ch1	Tr2	S21	2	108.92400	MHz	-3.9464	dB
Ch1	Tr2	S21	3	86.354000	MHz	-3.9250	dB
Ch1	Tr2	S21	4	68.000000	MHz	-34.427	dB
Ch1	Tr2	S21	5	128.00000	MHz	-29.599	dB