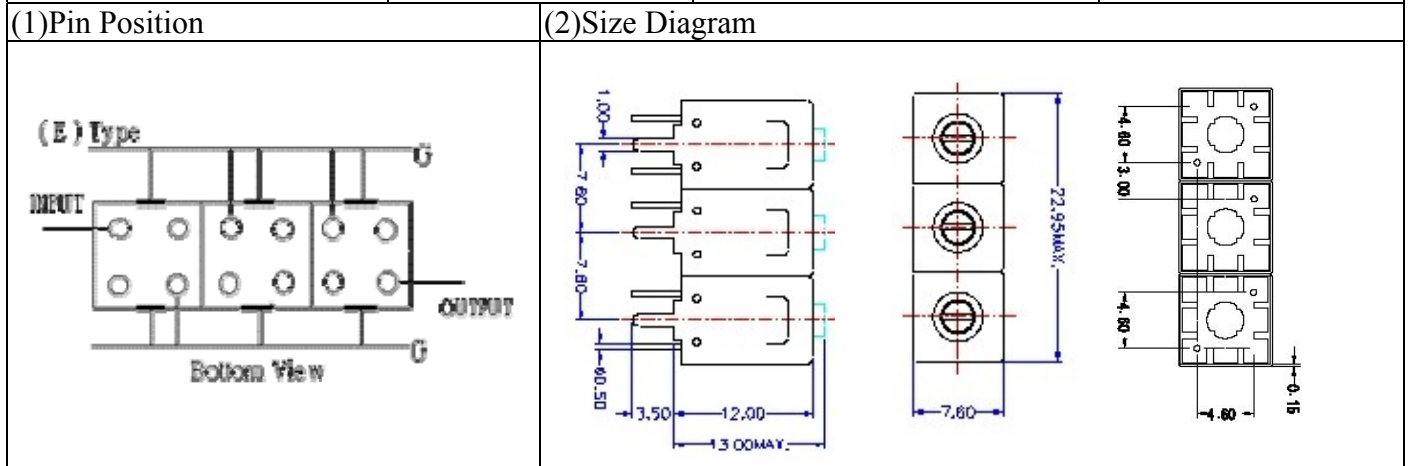
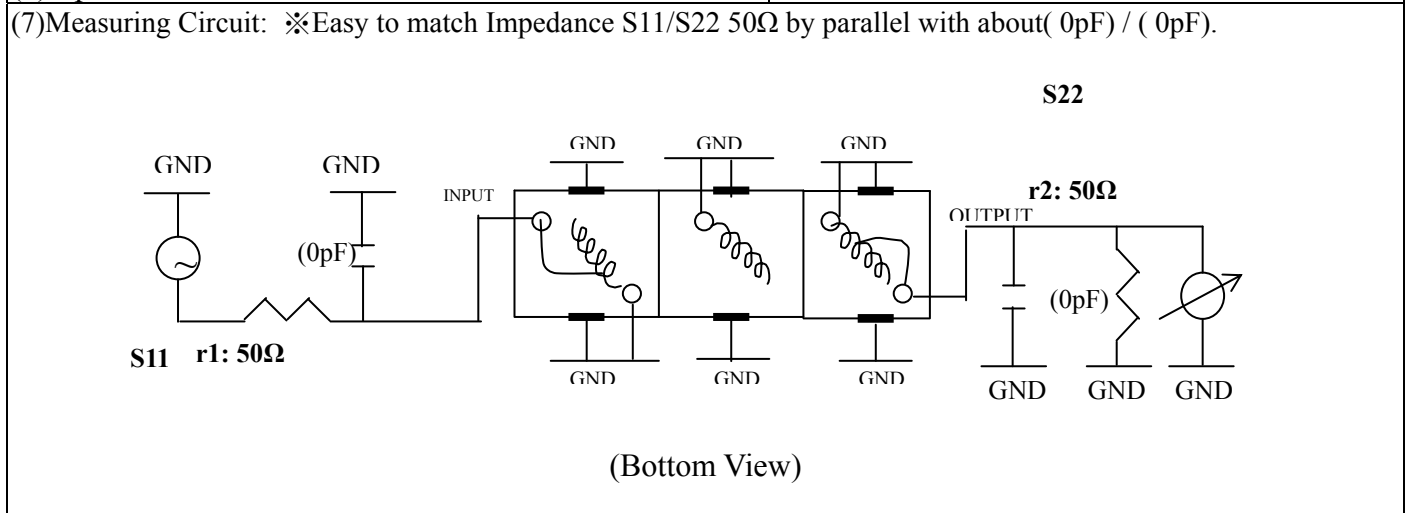


# VHF UHF Helical Filter Specification Sheet

Customer Name		Temwell's Part No.	TT6388E-98M
Approval No. /dated	0711065APR	Customer's Part No.	96~107MHz
Work Instruction No.	0711065B	Date	Dec.05.2007



(3) Electric Characteristic			
Item	Specify	Performance	
Center Freq.(Fo) +/- 0.5 %	98 MHz	98 MHz	
Tunable Range:	98±2 MHz	98±2 MHz	
Insertion Loss	Typ. 2.0 dB	1.01 dB	
-3 dB Bandwidth	Typ. 20 MHz	21.2 MHz	
Sensitivity (Attenuation)	Fo - 30 MHz	Typ. 34 dBc	37 dBc
	Fo + 30 MHz	Typ. 27 dBc	30 dBc
	Fo - ( )MHz	Typ. dBc	dBc
	Fo +( )MHz	Typ. dBc	dBc
Return Loss	Min. 12 dB	30.9 dB	
Ripple	< 1 dB	dB	
Impedance	In / Out : 50 Ω	In / Out : 50 Ω	
(4) Torque for Tuning Screw			
> 100gf · cm			
(5) Temperature Condition:			
Operating Temperature	0°C ~ +60°C		
Storage Temperature	-20°C ~ +70°C		
(6) Input Power			
> 1 Watt			



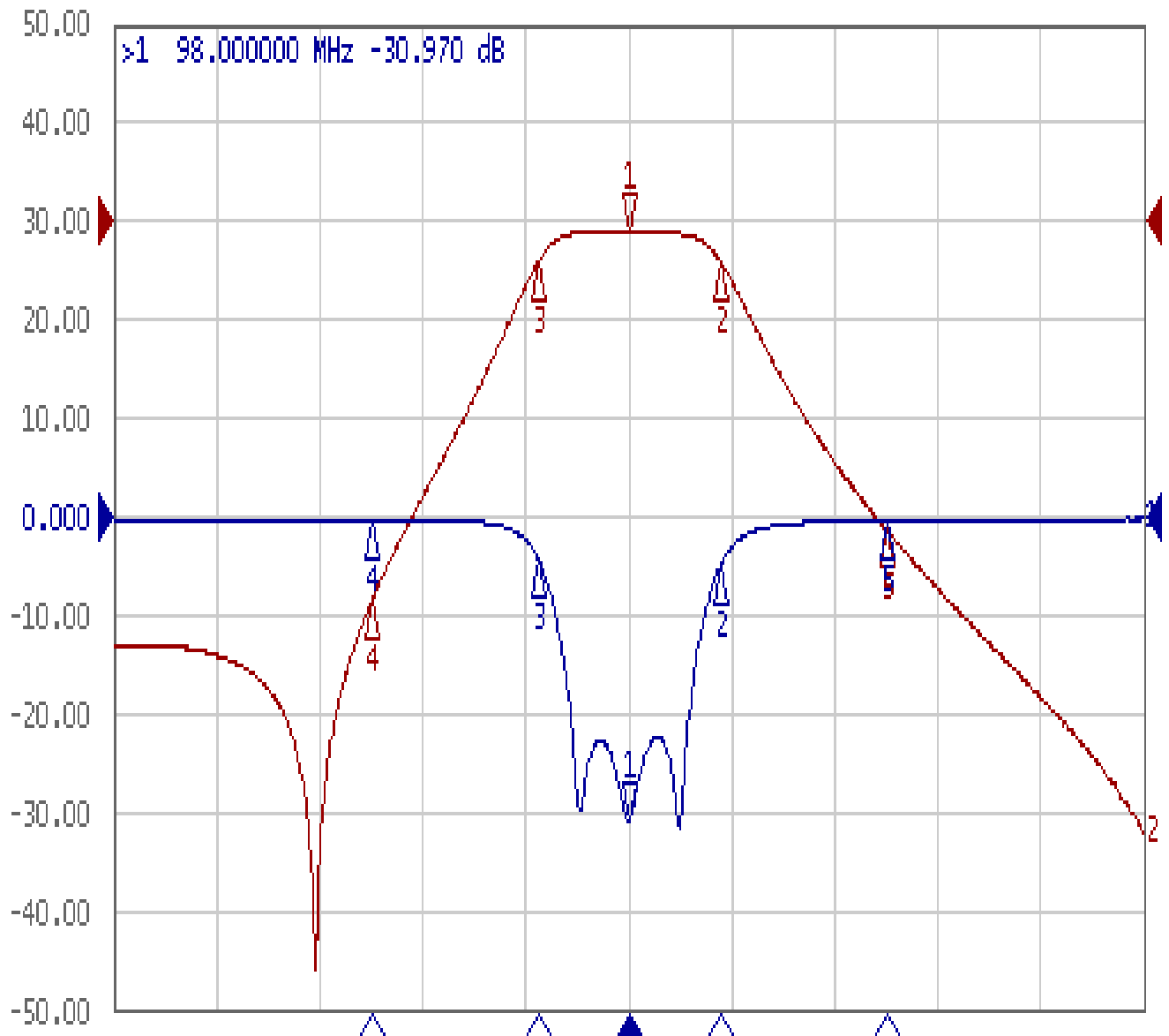
Approval	Supervisor	Designer	Aperture size
C.Y.Chang	C.S.Chang	C.S.Chang	7H3(4*7.5)F 7H024RB6.5

TEMWELL CORPORATION

# Performance-TT6388E-98M

## 0711065B

▶ Tr1 S11 Log Mag 10.00dB/ Ref 0.000dB [F2]  
Tr2 S21 Log Mag 10.00dB/ Ref 0.000dB [F2]



1 Center 98 MHz

IFBW 10 kHz

Span 120 MHz Cor !

Ch1	Tr1	S11	>1	98.000000 MHz	-30.970 dB
Ch1	Tr1	S11	2	108.64820 MHz	-4.9914 dB
Ch1	Tr1	S11	3	87.451000 MHz	-4.2766 dB
Ch1	Tr1	S11	4	68.000000 MHz	-0.2363 dB
Ch1	Tr1	S11	5	128.000000 MHz	-0.3373 dB
Ch1	Tr2	S21	1	98.000000 MHz	-1.0106 dB
Ch1	Tr2	S21	2	108.64820 MHz	-4.0205 dB
Ch1	Tr2	S21	3	87.451000 MHz	-4.0517 dB
Ch1	Tr2	S21	4	68.000000 MHz	-38.601 dB
Ch1	Tr2	S21	5	128.000000 MHz	-31.327 dB