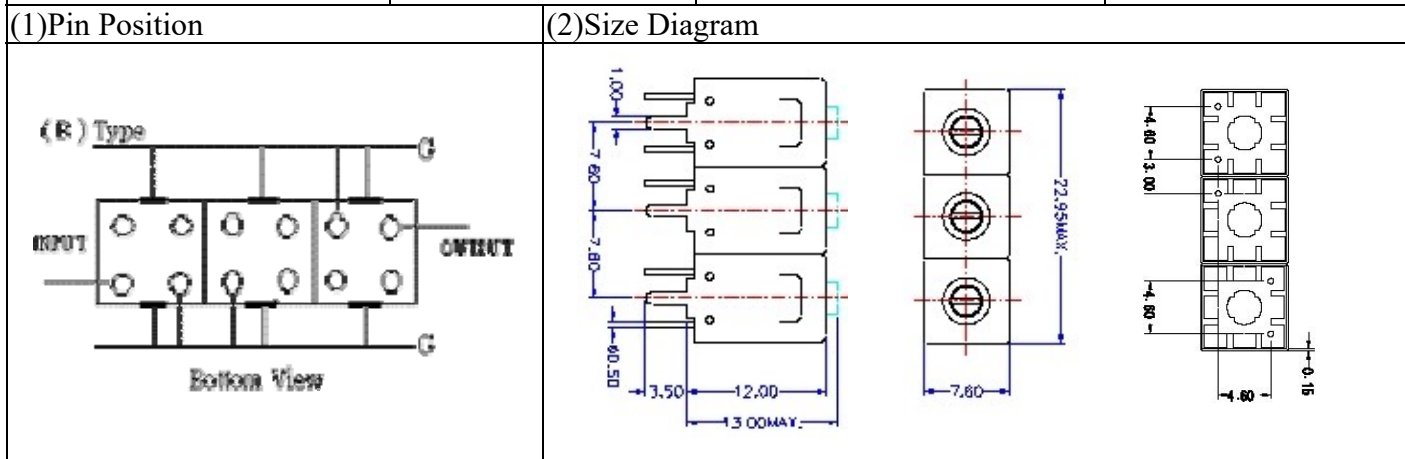


VHF UHF Helical Filter Specification Sheet

Customer Name		Temwell's Part No.	TT63901B-722.5M
Approval No. /dated	201901007CD	Temwell's Print name.	63901B 722.5M
Work Instruction No.	201901007CD	Date	Jan.10.2019



(3) Electric Characteristic

Item	Specify	Performance
Center Freq.(Fo) +/- 0.5 %	722.5 MHz	722.5 MHz
Insertion Loss	Typ. 5.0 dB	4.17 dB
-3 dB Bandwidth	Typ. 11 MHz	12.3 MHz
Sensitivity (Attenuation)	Fo - 50 MHz	Typ. 44 dBc
	Fo + 50 MHz	Typ. 35 dBc
	Fo - () MHz	Typ. dBc
	Fo + () MHz	Typ. dBc
Return Loss	Min. 12 dB	29.5 dB
Ripple	< 1 dB	dB
Impedance	In / Out : 50 Ω	In / Out : 50 Ω

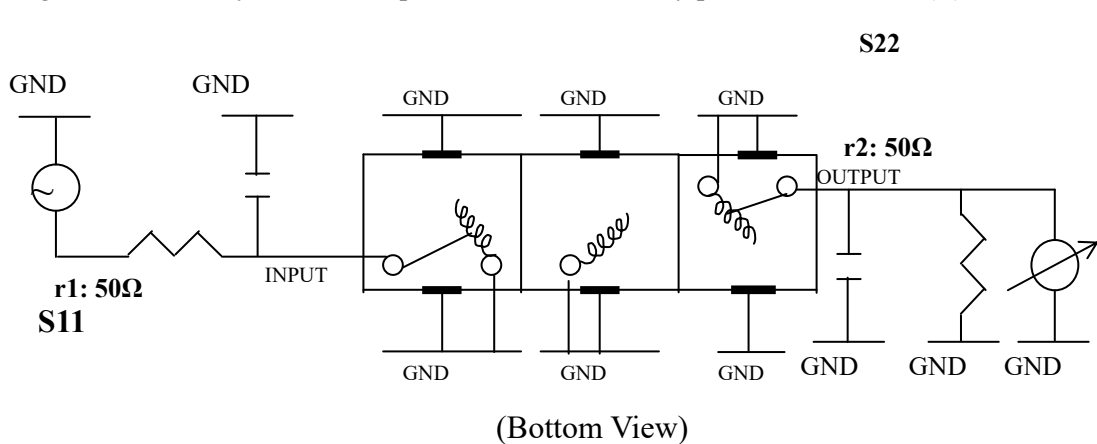
(4) Torque for Tuning Screw > 60gf · cm

(5) Temperature Condition:

Operating Temperature	0°C ~ +60°C
Storage Temperature	-20°C ~ +70°C

(6) Input Power > 1Watt

(7) Measuring Circuit: ※Easy to match Impedance S11/S22 50Ω by parallel with about (-) .



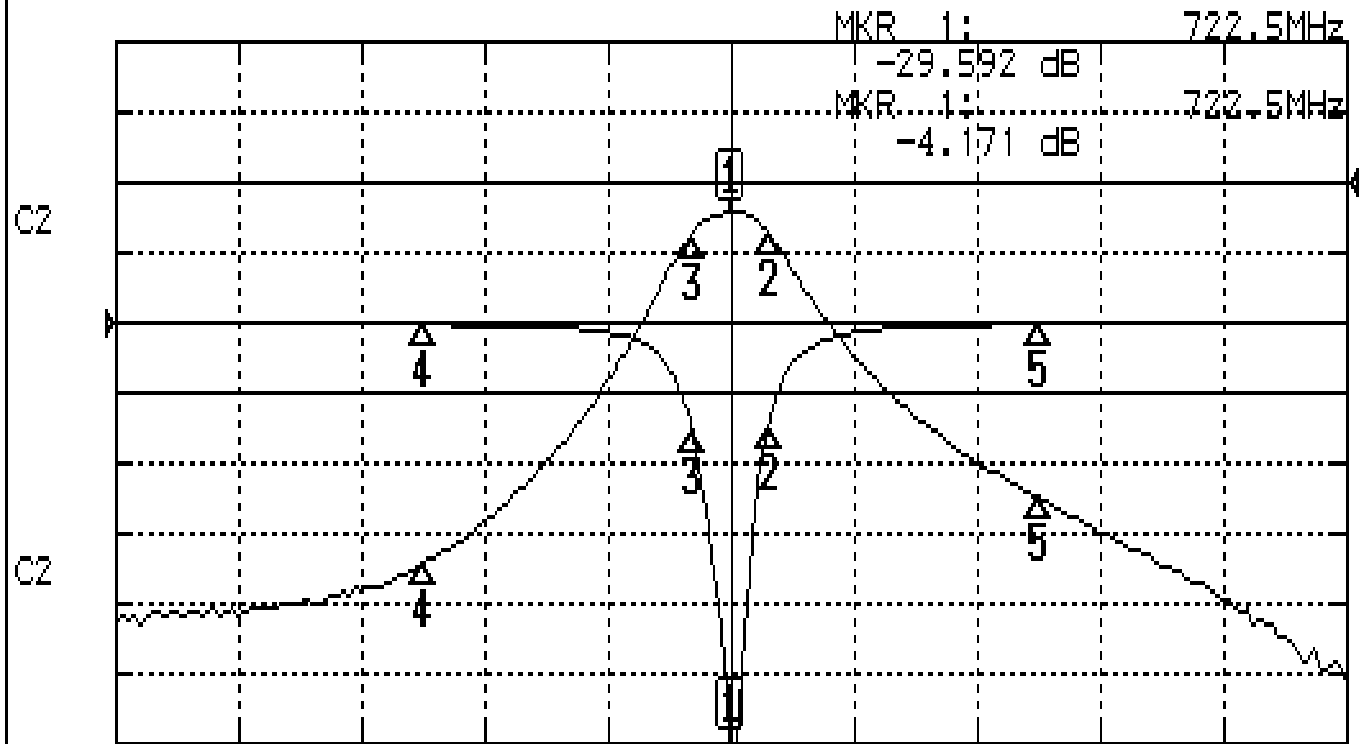
Approval C.Y.Chang	Supervisor C.K.Chang	Designer Z.Y.Wang	Aperture size 7H3S(4*5.35)(5.38) 7H046RB4
-----------------------	-------------------------	----------------------	---

TEMWELL CORPORATION

Performance-TT63901B-722.5M

201901007CD

CH1 S11 LOG MAG REF 0.000 dB 5.000 dB/
CH2 S21 LOG MAG REF 0.000 dB 10.000 dB/



CENTER 722.5MHz

[10.00 dBm]

SPAN 200MHz

CH1 MARKER LIST

1:	722.500MHz	-29.592 dB
2:	728.666MHz	-7.412 dB
3:	716.270MHz	-7.673 dB
4:	672.500MHz	-0.125 dB
5:	772.500MHz	-0.090 dB

CH2 MARKER LIST

1:	722.500MHz	-4.171 dB
2:	728.666MHz	-7.187 dB
3:	716.270MHz	-7.172 dB
4:	672.500MHz	-54.079 dB
5:	772.500MHz	-44.999 dB