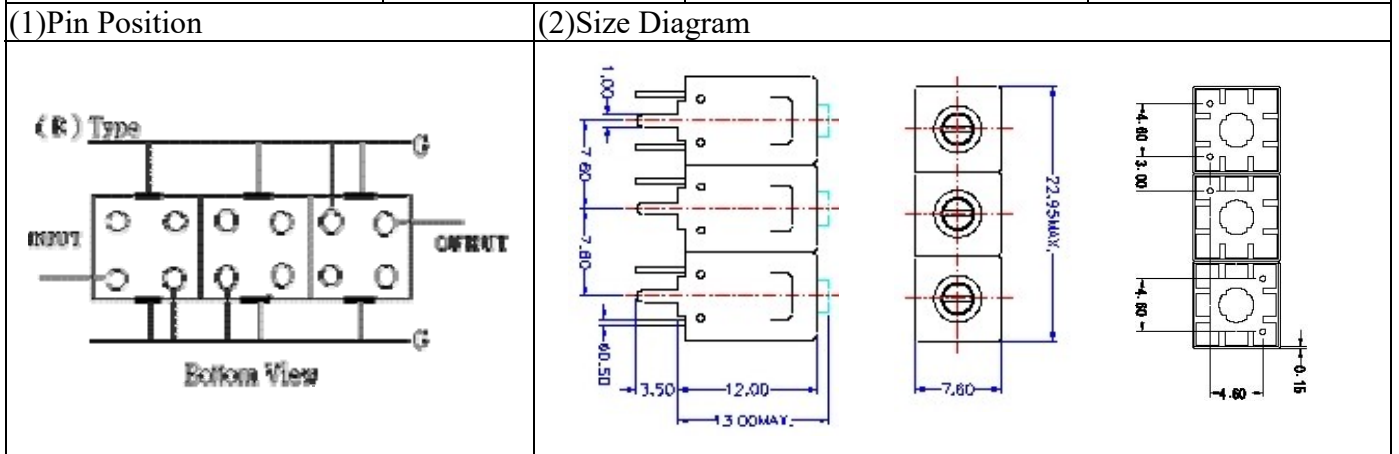


# VHF UHF Helical Filter Specification Sheet

Customer Name		Temwell's Part No.	TT63902A-725.5M
Approval No. /dated	201901008CD	Temwell's Print name.	63902A 725.5M
Work Instruction No.	201901008CD	Date	Jan.10.2019



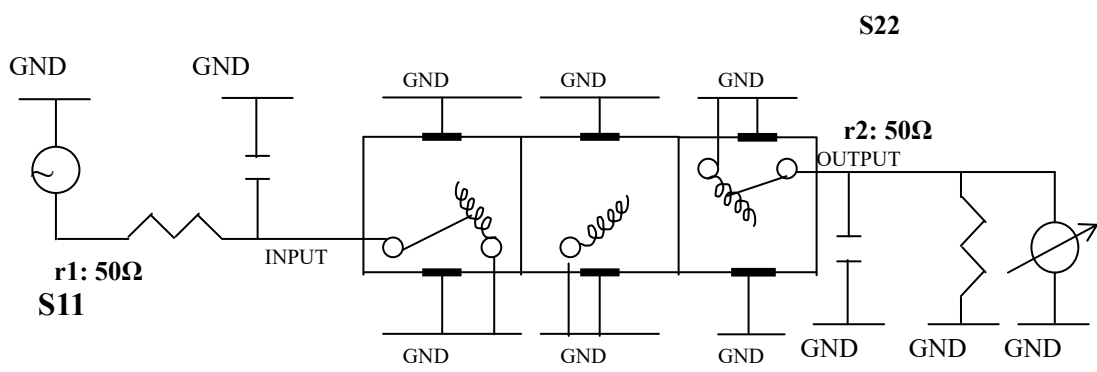
(3) Electric Chararistic			
Item	Specify	Performance	
Center Freq.(Fo) +/- 0.5 %	725.5 MHz	725.5 MHz	
Insertion Loss	Typ. 2.5 dB	1.46 dB	
-3 dB Bandwidth	Typ. 45 MHz	46.7 MHz	
Sensitivity (Attenuation)	Fo - 50 MHz	Typ. 23 dBc	26 dBc
	Fo + 50 MHz	Typ. 15 dBc	18 dBc
	Fo - ( ) MHz	Typ. dBc	dBc
	Fo + ( ) MHz	Typ. dBc	dBc
Return Loss	Min. 12 dB	19.1 dB	
Ripple	< 1 dB	dB	
Impedance	In / Out : 50 Ω	In / Out : 50 Ω	

(4) Torque for Tuning Screw > 60gf · cm

(5) Temperature Condition:	
Operating Temperature	0°C ~ +60°C
Storage Temperature	-20°C ~ +70°C

(6) Input Power > 1 Watt

(7) Measuring Circuit: ※Easy to match Impedance S11/S22 50Ω by parallel with about (--).



(Bottom View)

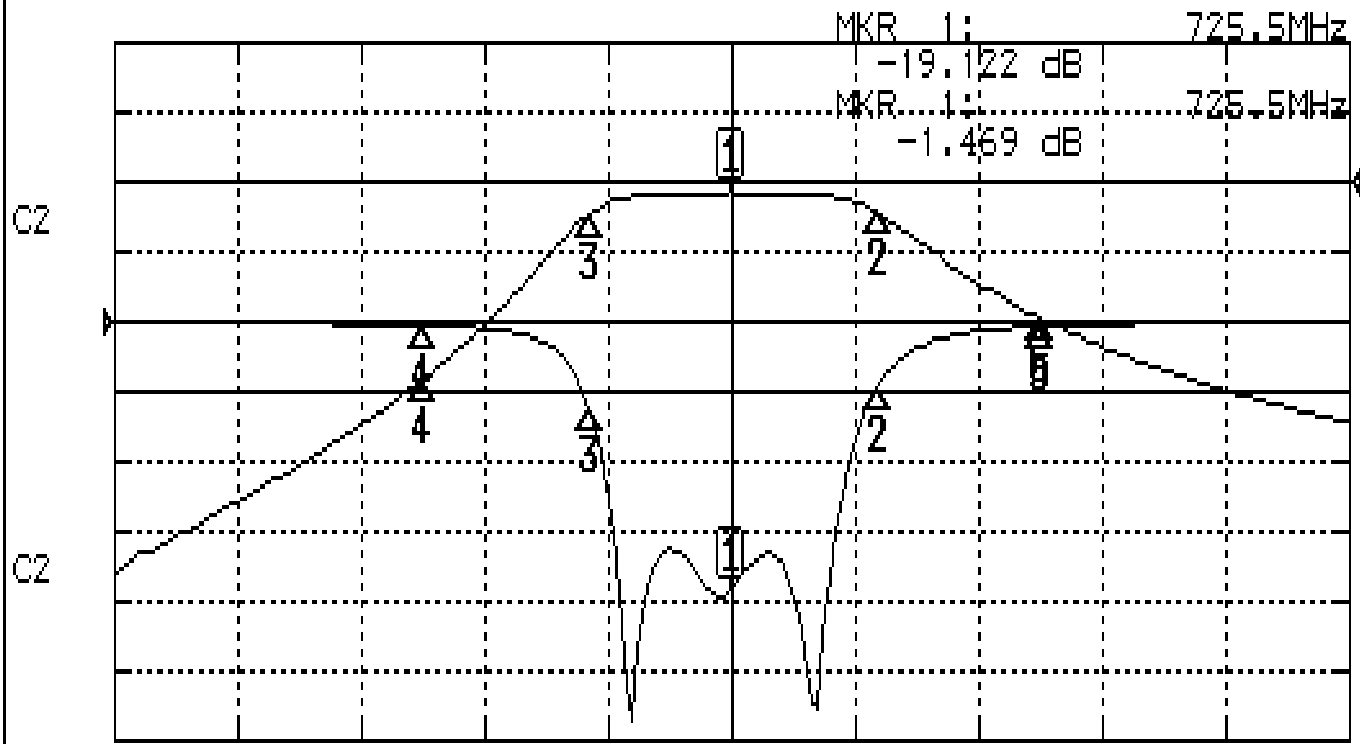
Approval C.Y.Chang	Supervisor C.K.Chang	Designer Z.Y.Wang	Aperture size 7H3S(4*5.5)(5.58) 7H046LB5
-----------------------	-------------------------	----------------------	--

TEMWELL CORPORATION

# Performance-TT63902A-725.5M

## 201901008CD

CH1 S11 LOG MAG REF 0.000 dB 5.000 dB/  
 CH2 S21 LOG MAG REF 0.000 dB 10.000 dB/



CENTER 725.5MHz

[ 10.00 dBm ]

SPAN 200MHz

### CH1 MARKER LIST

1	725.500MHz	-19.129	dB
2	749.270MHz	-4.661	dB
3	702.500MHz	-6.069	dB
4	675.500MHz	-0.262	dB
5	775.500MHz	-0.323	dB

### CH2 MARKER LIST

1	725.500MHz	-1.469	dB
2	749.270MHz	-4.472	dB
3	702.500MHz	-4.495	dB
4	675.500MHz	-28.239	dB
5	775.500MHz	-19.498	dB