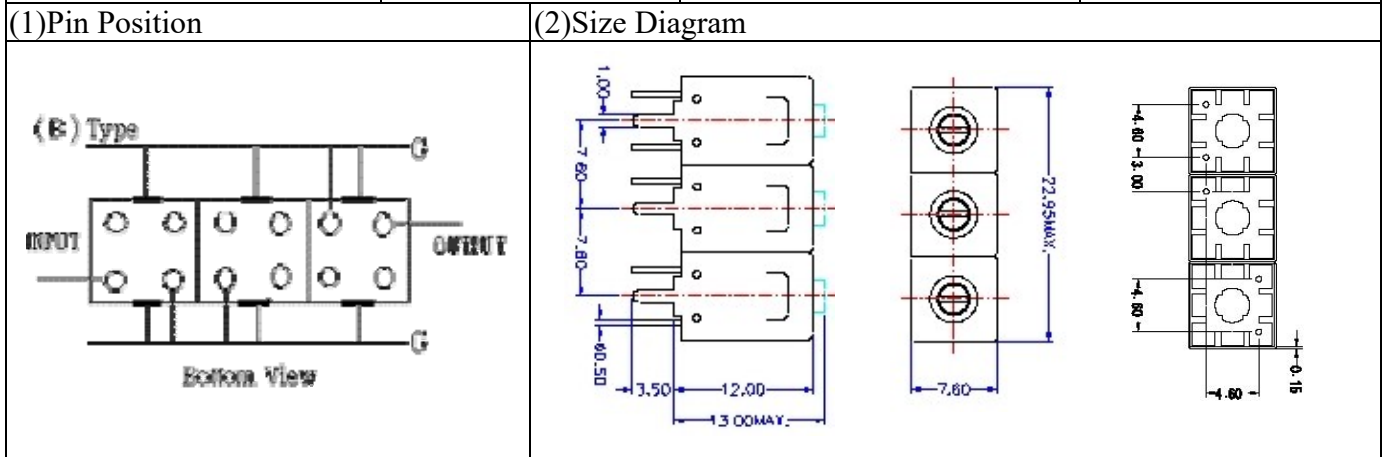


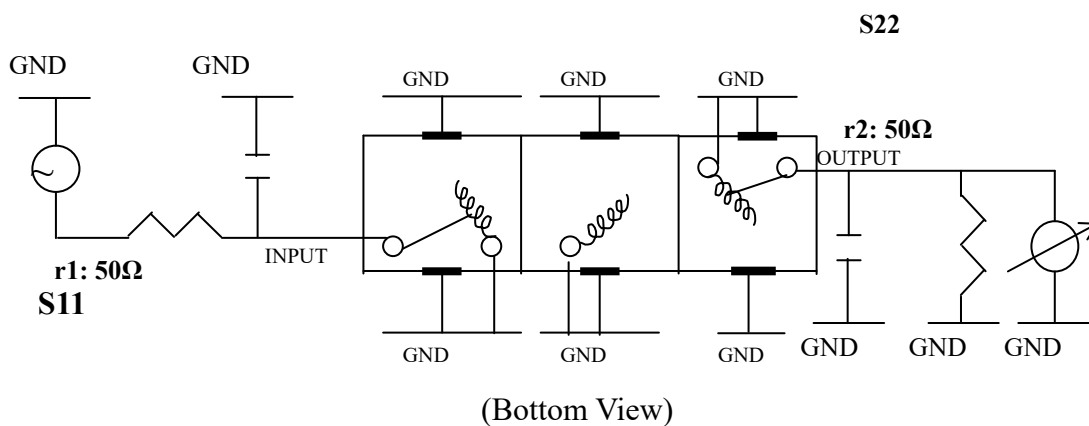
VHF UHF Helical Filter Specification Sheet

Customer Name		Temwell's Part No.	TT63903B-737M
Approval No. /dated	201901009CD	Temwell's Print name.	63903B 737M
Work Instruction No.	201901009CD	Date	Jan.10.2019



(3) Electric Chararistic					
Item		Specify		Performance	
Center Freq.(Fo) +/- 0.5 %		737 MHz		737 MHz	
Insertion Loss		Typ. 3.5 dB		2.38 dB	
-3 dB Bandwidth		Typ. 18 MHz		19.6 MHz	
Sensitivity (Attenuation)	Fo - 50 MHz	Typ. 37 dBc		40 dBc	
	Fo + 50 MHz	Typ. 27 dBc		30 dBc	
	Fo - () MHz	Typ dBc		dBc	
	Fo + () MHz	Typ. dBc		dBc	
Return Loss		Min. 12 dB		30.5 dB	
Ripple		< 1 dB		dB	
Impedance		In / Out : 50 Ω		In / Out : 50 Ω	
(4) Torque for Tuning Screw		> 60gf · cm			
(5) Temperature Condition:					
Operating Temperature		0°C ~ +60°C			
Storage Temperature		-20°C ~ +70°C			
(6) Input Power		> 1Watt			

(7) Measuring Circuit: ※Easy to match Impedance S11/S22 50Ω by parallel with about (--).

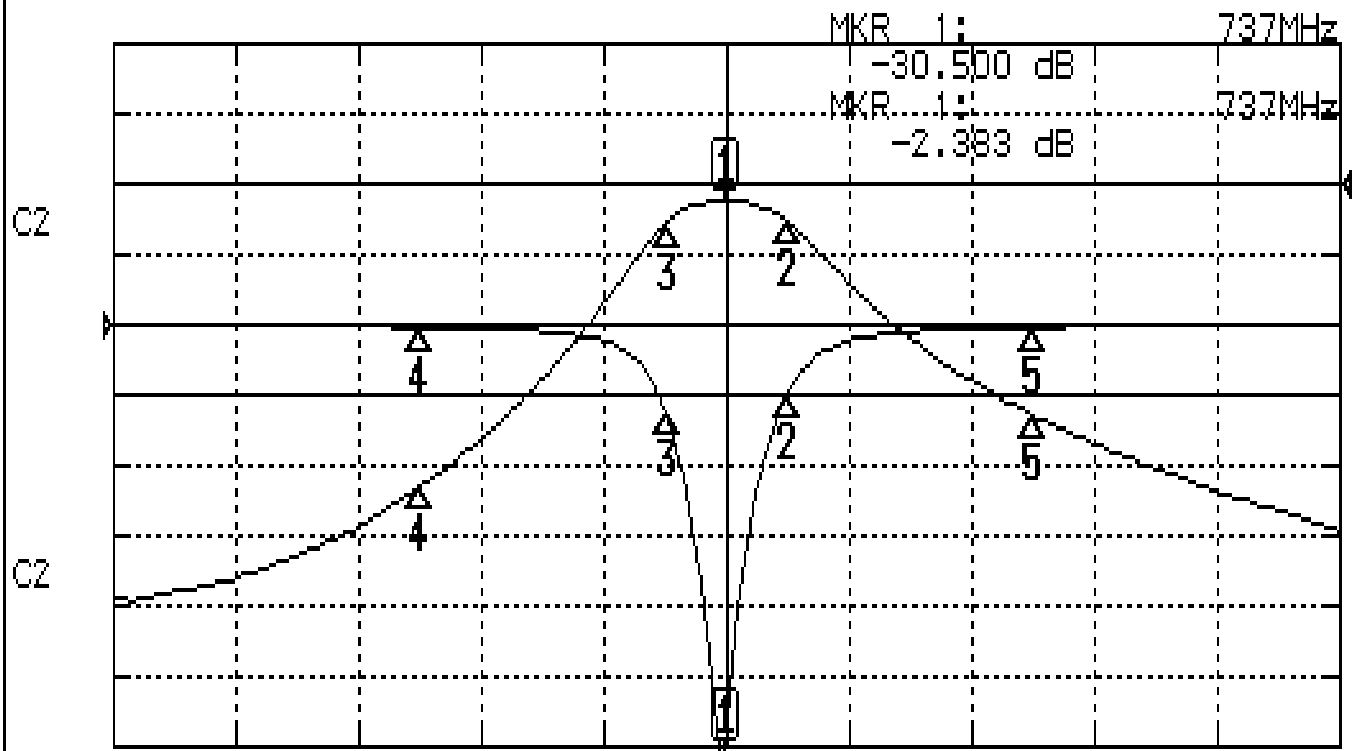


Approval	Supervisor	Designer	Aperture size
C.Y.Chang	C.K.Chang	Z.Y.Wang	7H3S(4*5.5)(5.58) 7H046RB4
TEMWELL CORPORATION			

Performance-TT63903B-737M

201901009CD

CH1 S11 LOG MAG REF 0.000 dB 5.000 dB/
CH2 S21 LOG MAG REF 0.000 dB 10.000 dB/



CENTER 737MHz

[10.00 dBm]

SPAN 200MHz

CH1 MARKER LIST

1:	737.000MHz	-30.526 dB
2:	746.940MHz	-5.024 dB
3:	727.260MHz	-6.373 dB
4:	687.000MHz	-0.172 dB
5:	787.000MHz	-0.177 dB

CH2 MARKER LIST

1:	737.000MHz	-2.383 dB
2:	746.940MHz	-5.391 dB
3:	727.260MHz	-5.387 dB
4:	687.000MHz	-49.057 dB
5:	787.000MHz	-32.817 dB