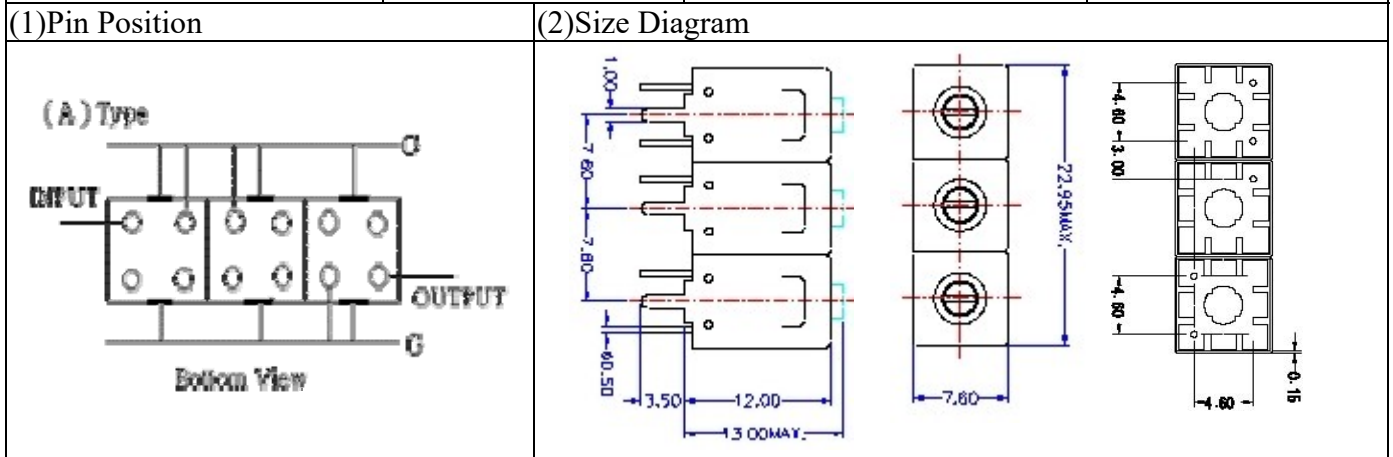


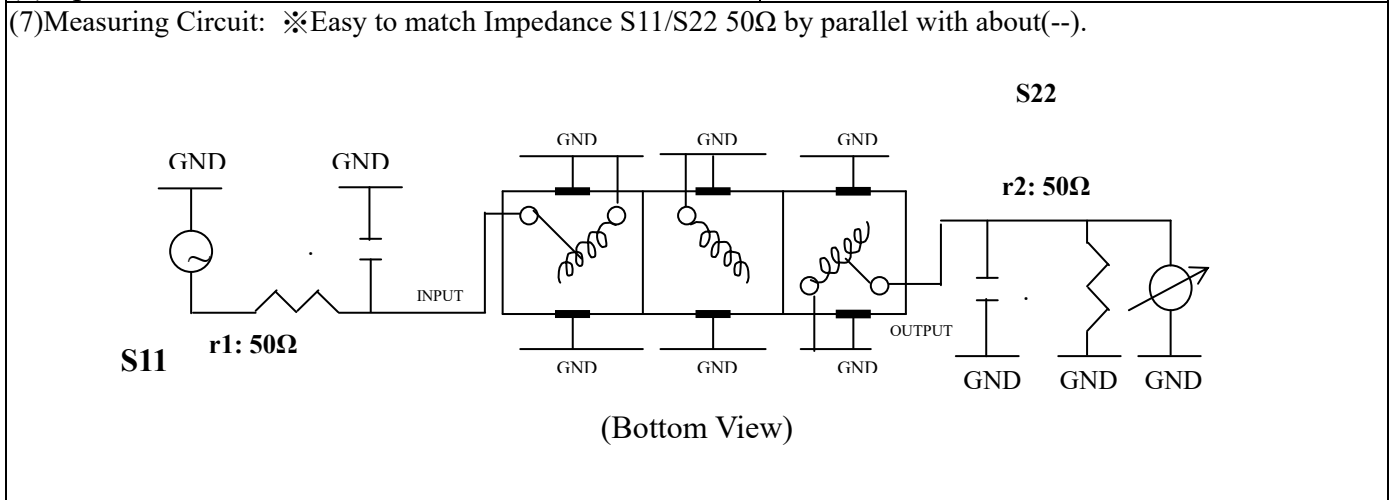
# VHF UHF Helical Filter Specification Sheet

Customer Name		Temwell's Part No.	TT63905A-752M
Approval No. /dated	201901011CD	Customer's Print Name.	63905A 752M
Work Instruction No.	201901011CD	Date	Jan.16.2019



(3) Electric Chararistic		Specify	Performance
Item			
Center Freq.(Fo) +/- 0.5 %		752 MHz	752 MHz
Insertion Loss		Typ. 5.0 dB	3.88 dB
-3 dB Bandwidth		Typ. 12 MHz	14.2 MHz
Sensitivity (Attenuation)	Fo - 50 MHz	Typ. 49 dBc	54 dBc
	Fo + 50 MHz	Typ. 35 dBc	40 dBc
	Fo - ( )MHz	Typ. dBc	dBc
	Fo +( )MHz	Typ. dBc	dBc
Return Loss		Min. 12 dB	25.3 dB
Ripple		< 1 dB	dB
Impedance		In / Out : 50 Ω	In / Out : 50 Ω
(4) Torque for Tuning Screw		> 60gf · cm	

(5) Temperature Condition:	
Operating Temperature	0°C ~ +60°C
Storage Temperature	-20°C ~ +70°C
(6) Input Power	> 1Watt

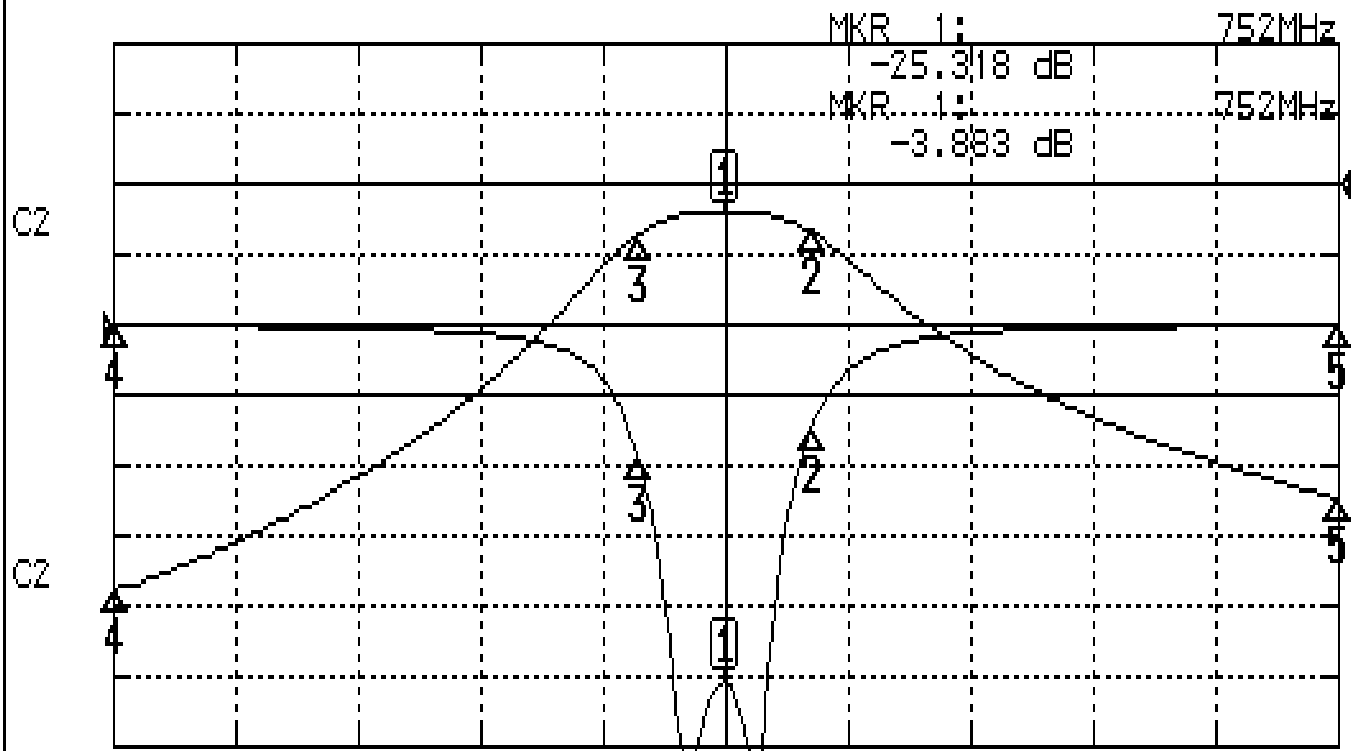


Approval	Supervisor	Designer	Aperture size
C.Y.Chang	C.K.Chang	C.H.Yeh	7H3S( 4*4.65)(4.75) 7H046LB4.3 聚 3
TEMWELL CORPORATION			

# Performance-TT63905A-752M

## 201901011CD

CH1 S11 LOG MAG REF 0.000 dB 5.000 dB/  
CH2 S21 LOG MAG REF 0.000 dB 10.000 dB/



CENTER 752MHz

[ 10.00 dBm ]

SPAN 100MHz

### CH1 MARKER LIST

1:	752.000MHz	-25.318 dB
2:	759.166MHz	-7.243 dB
3:	744.950MHz	-9.553 dB
4:	702.000MHz	-0.081 dB
5:	802.000MHz	-0.061 dB

### CH2 MARKER LIST

1:	752.000MHz	-3.883 dB
2:	759.166MHz	-6.930 dB
3:	744.950MHz	-6.842 dB
4:	702.000MHz	-58.171 dB
5:	802.000MHz	-44.642 dB