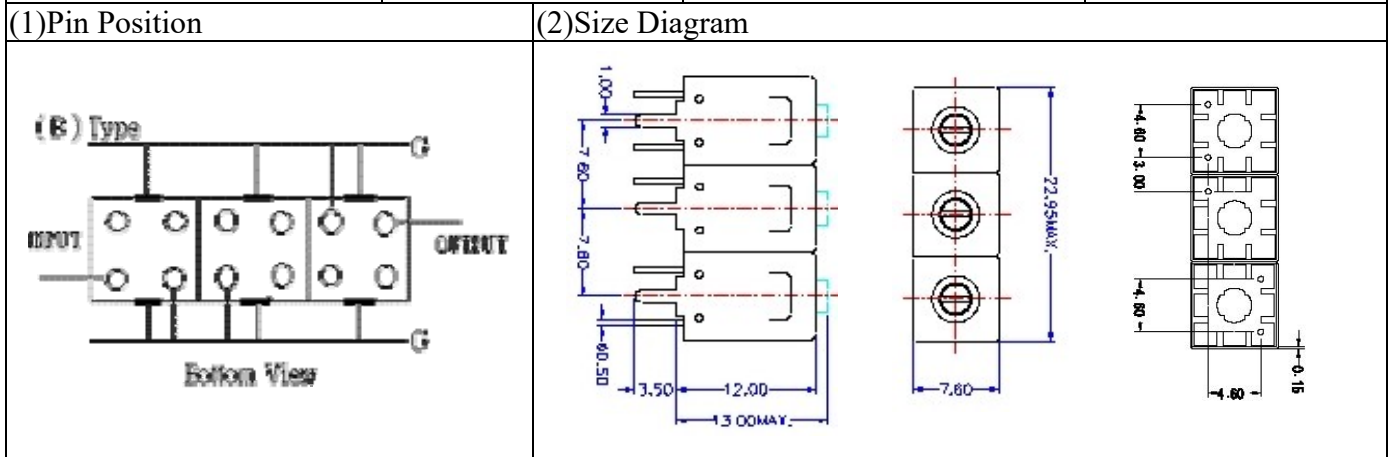


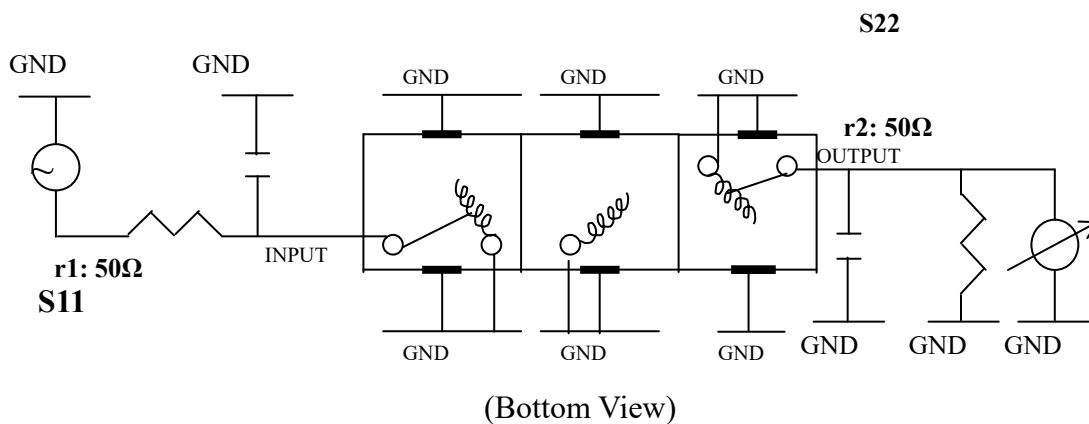
VHF UHF Helical Filter Specification Sheet

Customer Name		Temwell's Part No.	TT63906B-753M
Approval No. /dated	201901012CD	Temwell's Print name.	63906B 753M
Work Instruction No.	201901012CD	Date	Jan.17.2019



(3) Electric Chararctic			
Item	Specify	Performance	
Center Freq.(Fo) +/- 0.5 %	753 MHz	753	MHz
Insertion Loss	Typ. 2.0 dB	0.69	dB
-3 dB Bandwidth	Typ. 100 MHz	102.6	MHz
Sensitivity (Attenuation)	Fo - 200 MHz	Typ. 50	dBc
	Fo + 200 MHz	Typ. 23	dBc
	Fo - () MHz	Typ	dBc
	Fo + () MHz	Typ.	dBc
Return Loss	Min. 12 dB	20.9	dB
Ripple	< 1 dB		dB
Impedance	In / Out : 50 Ω	In / Out : 50 Ω	
(4) Torque for Tuning Screw		> 60gf · cm	
(5) Temperature Condition:			
Operating Temperature		0°C ~ +60°C	
Storage Temperature		-20°C ~ +70°C	
(6) Input Power		> 1Watt	

(7) Measuring Circuit: ※Easy to match Impedance S11/S22 50Ω by parallel with about (-) .



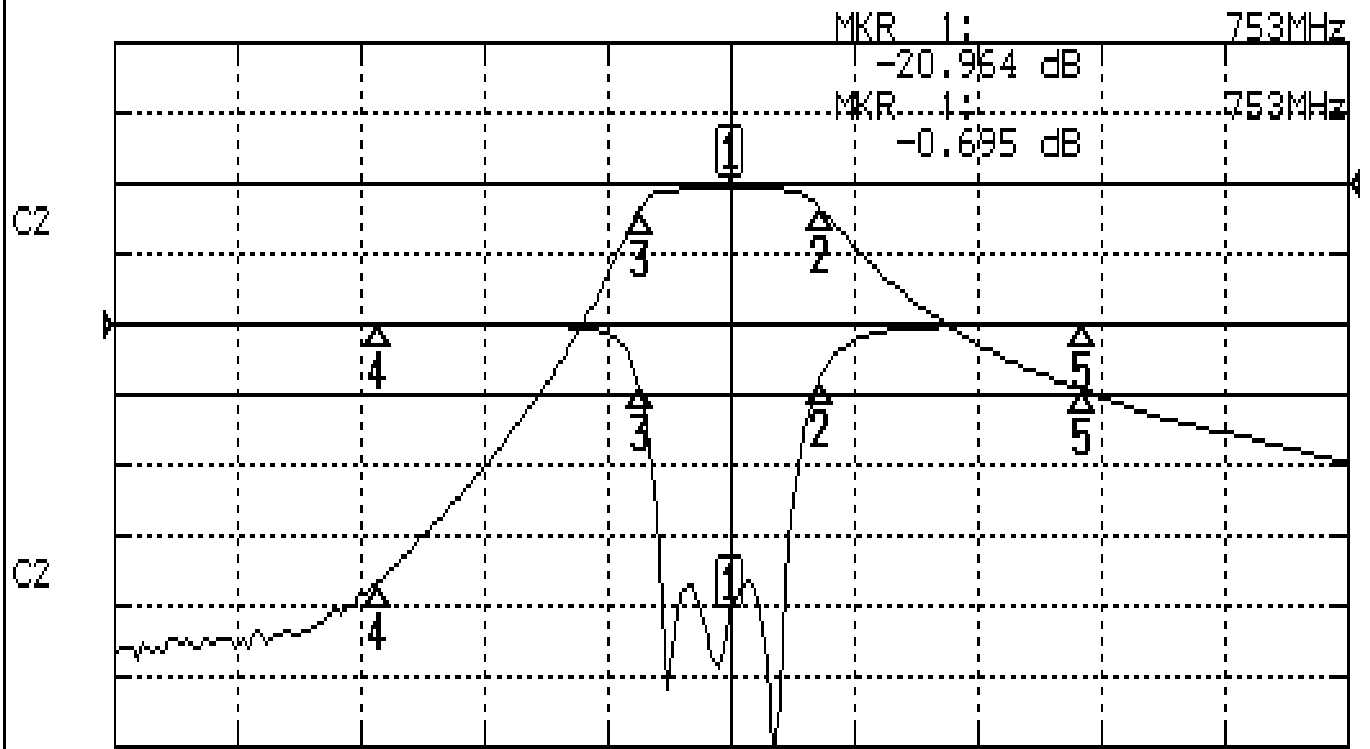
Approval C.Y.Chang	Supervisor C.K.Chang	Designer C.H.Yeh	Aperture size 7H3S(4*6.8)(6.86) 7H046RB6.5
-----------------------	-------------------------	---------------------	--

TEMWELL CORPORATION

Performance-TT63906B-753M

201901012CD

CH1 S11 LOG MAG REF 0.000 dB 5.000 dB/
CH2 S21 LOG MAG REF 0.000 dB 10.000 dB/



CENTER 753MHz

[10.00 dBm]

SPAN 700MHz

CH1 MARKER LIST

1:	753.000MHz	-20.964	dB
2:	804.333MHz	-3.877	dB
3:	701.680MHz	-4.573	dB
4:	553.000MHz	-0.025	dB
5:	953.000MHz	0.029	dB

CH2 MARKER LIST

1:	753.000MHz	-0.695	dB
2:	804.333MHz	-1.100	dB
3:	701.680MHz	-0.708	dB
4:	553.000MHz	-0.502	dB
5:	953.000MHz	-2.392	dB