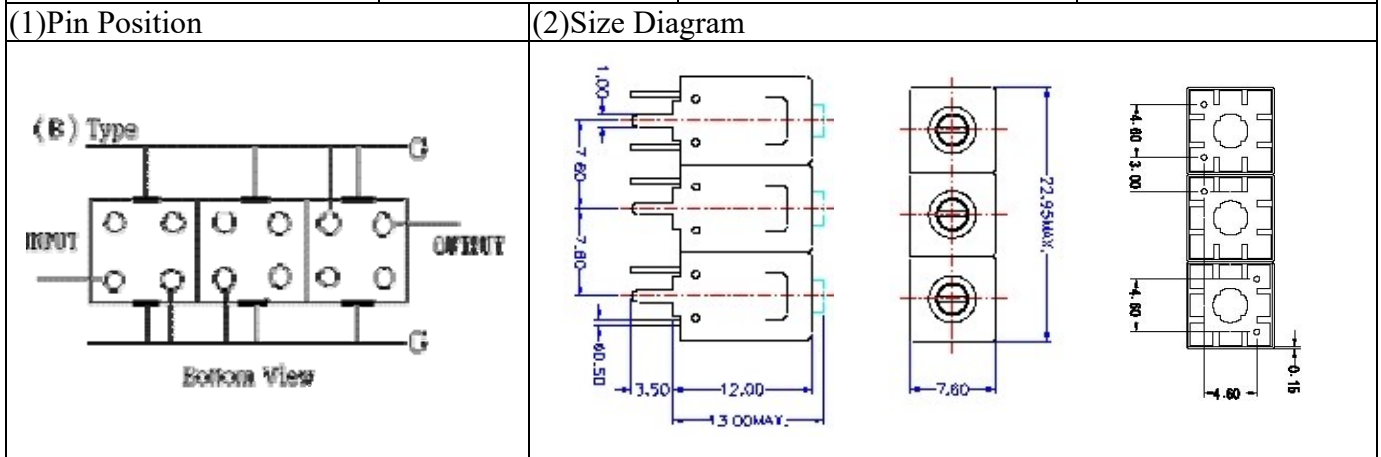


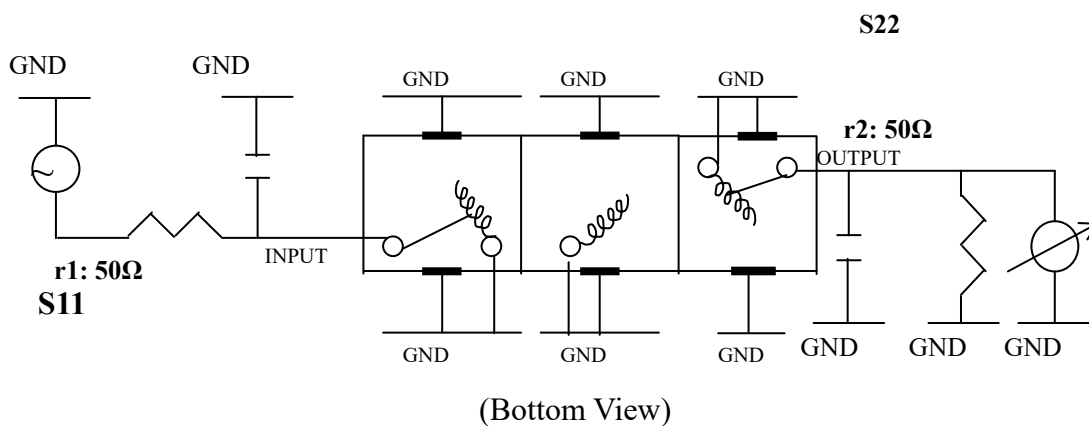
# VHF UHF Helical Filter Specification Sheet

Customer Name		Temwell's Part No.	TT63909B-768M
Approval No. /dated	201901015CD	Temwell's Print name.	63909B 768M
Work Instruction No.	201901015CD	Date	Jan.18.2019



(3) Electric Chararistic					
Item		Specify		Performance	
Center Freq.(Fo) +/- 0.5 %		768 MHz		768 MHz	
Insertion Loss		Typ. 2.5 dB		1.44 dB	
-3 dB Bandwidth		Typ. 30 MHz		33.5 MHz	
Sensitivity (Attenuation)	Fo - 100 MHz	Typ. 48 dBc		53 dBc	
	Fo + 100 MHz	Typ. 31 dBc		36 dBc	
	Fo - ( ) MHz	Typ dBc		dBc	
	Fo + ( ) MHz	Typ. dBc		dBc	
Return Loss		Min. 12 dB		21.6 dB	
Ripple		< 1 dB		dB	
Impedance		In / Out : 50 Ω		In / Out : 50 Ω	
(4) Torque for Tuning Screw		> 60gf · cm			
(5) Temperature Condition:					
Operating Temperature		0°C ~ +60°C			
Storage Temperature		-20°C ~ +70°C			
(6) Input Power		> 1Watt			

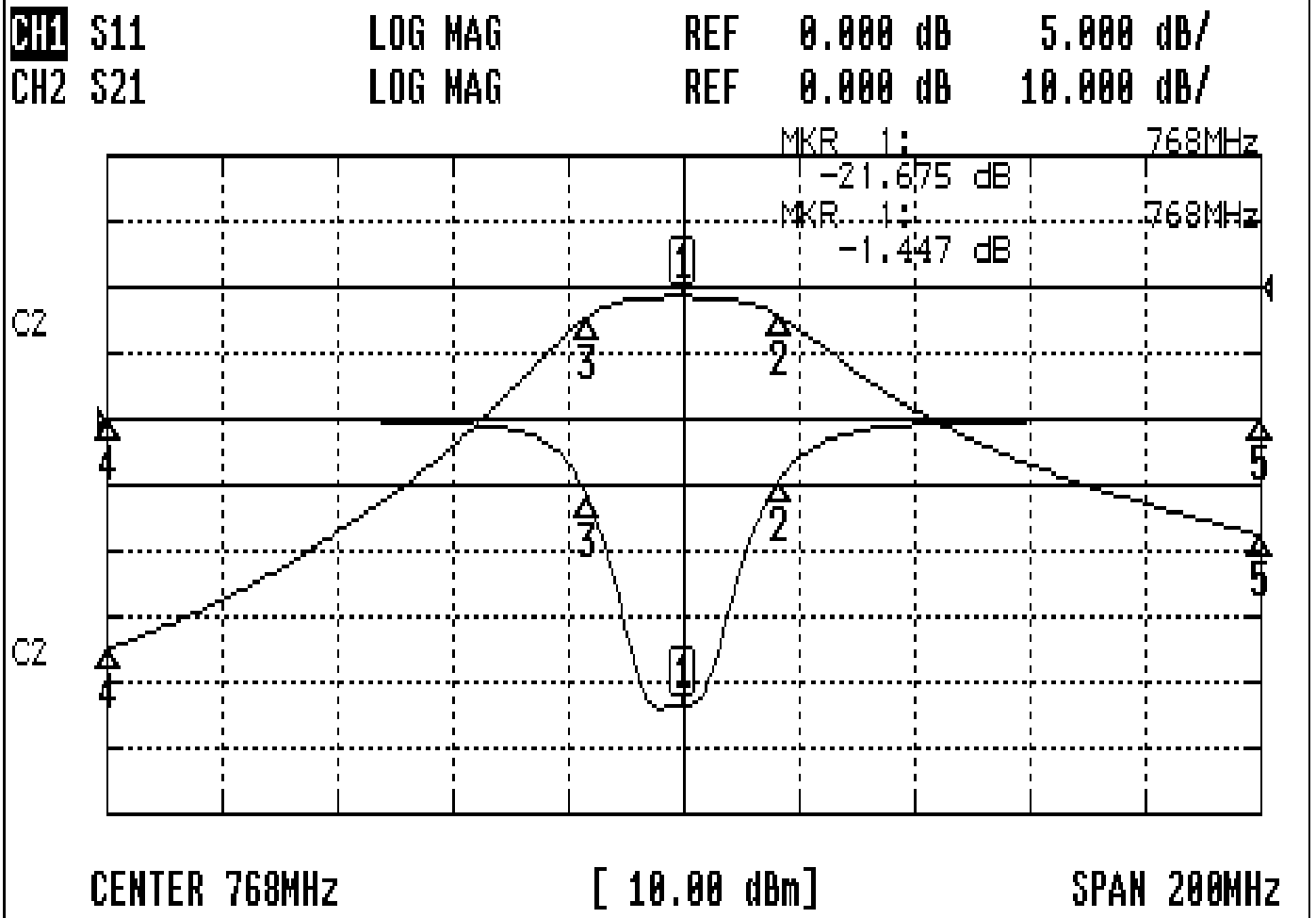
(7) Measuring Circuit: ※Easy to match Impedance S11/S22 50Ω by parallel with about (-).



Approval	Supervisor	Designer	Aperture size
C.Y.Chang	C.K.Chang	C.H.Yeh	7H3S(4*6.8)(6.85) 7H046RB4.3 聚 3
TEMWELL CORPORATION			

# Performance-TT63909B-768M

## 201901015CD



### CH1 MARKER LIST

1:	768.000MHz	-21.675 dB
2:	784.833MHz	-4.469 dB
3:	751.250MHz	-5.704 dB
4:	668.000MHz	-0.003 dB
5:	868.000MHz	-0.005 dB
6:		
7:		
8:		
9:		
10:		

### CH2 MARKER LIST

1:	768.000MHz	-1.449 dB
2:	784.833MHz	-4.444 dB
3:	751.250MHz	-4.457 dB
4:	668.000MHz	-54.609 dB
5:	868.000MHz	-37.644 dB
6:		
7:		
8:		
9:		
10:		