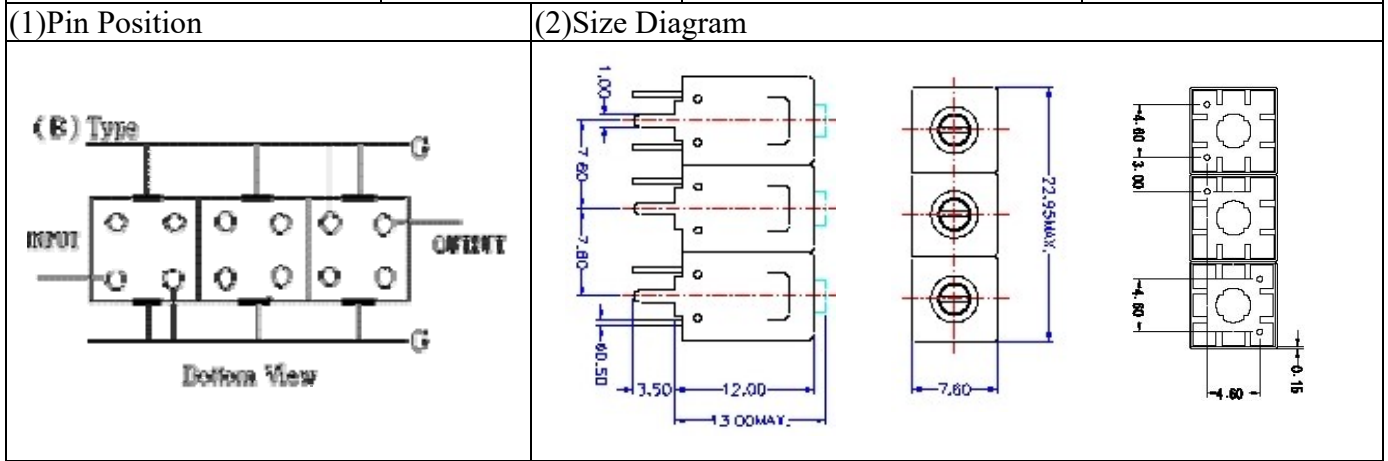


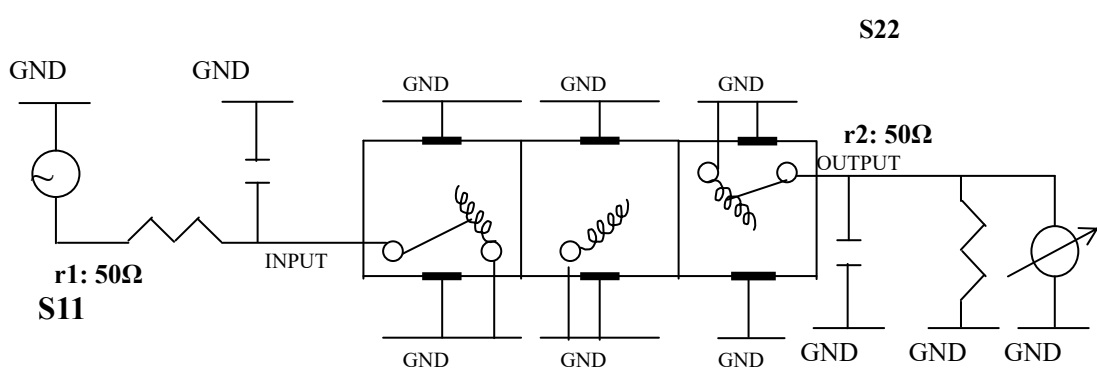
# VHF UHF Helical Filter Specification Sheet

Customer Name		Temwell's Part No.	TT63910B-780.5M
Approval No. /dated	201901016CD	Temwell's Print name.	63910B 780.5M
Work Instruction No.	201901016CD	Date	Jan.21.2019



(3) Electric Chararistic					
Item		Specify		Performance	
Center Freq.(Fo) +/- 0.5 %		780.5	MHz	780.5	MHz
Insertion Loss		Typ.	2.5 dB	1.34	dB
-3 dB Bandwidth		Typ.	45 MHz	48.5	MHz
Sensitivity (Attenuation)	Fo - 150 MHz	Typ.	46 dBc	51	dBc
	Fo + 150 MHz	Typ.	31 dBc	36	dBc
	Fo - ( ) MHz	Typ	dBc		dBc
	Fo + ( ) MHz	Typ.	dBc		dBc
Return Loss		Min.	12 dB	31.9	dB
Ripple		< 1 dB			dB
Impedance		In / Out : 50 Ω		In / Out : 50 Ω	
(4) Torque for Tuning Screw		> 60gf · cm			
(5) Temperature Condition:					
Operating Temperature		0°C ~ +60°C			
Storage Temperature		-20°C ~ +70°C			
(6) Input Power		> 1Watt			

(7) Measuring Circuit: ※Easy to match Impedance S11/S22 50Ω by parallel with about (--).



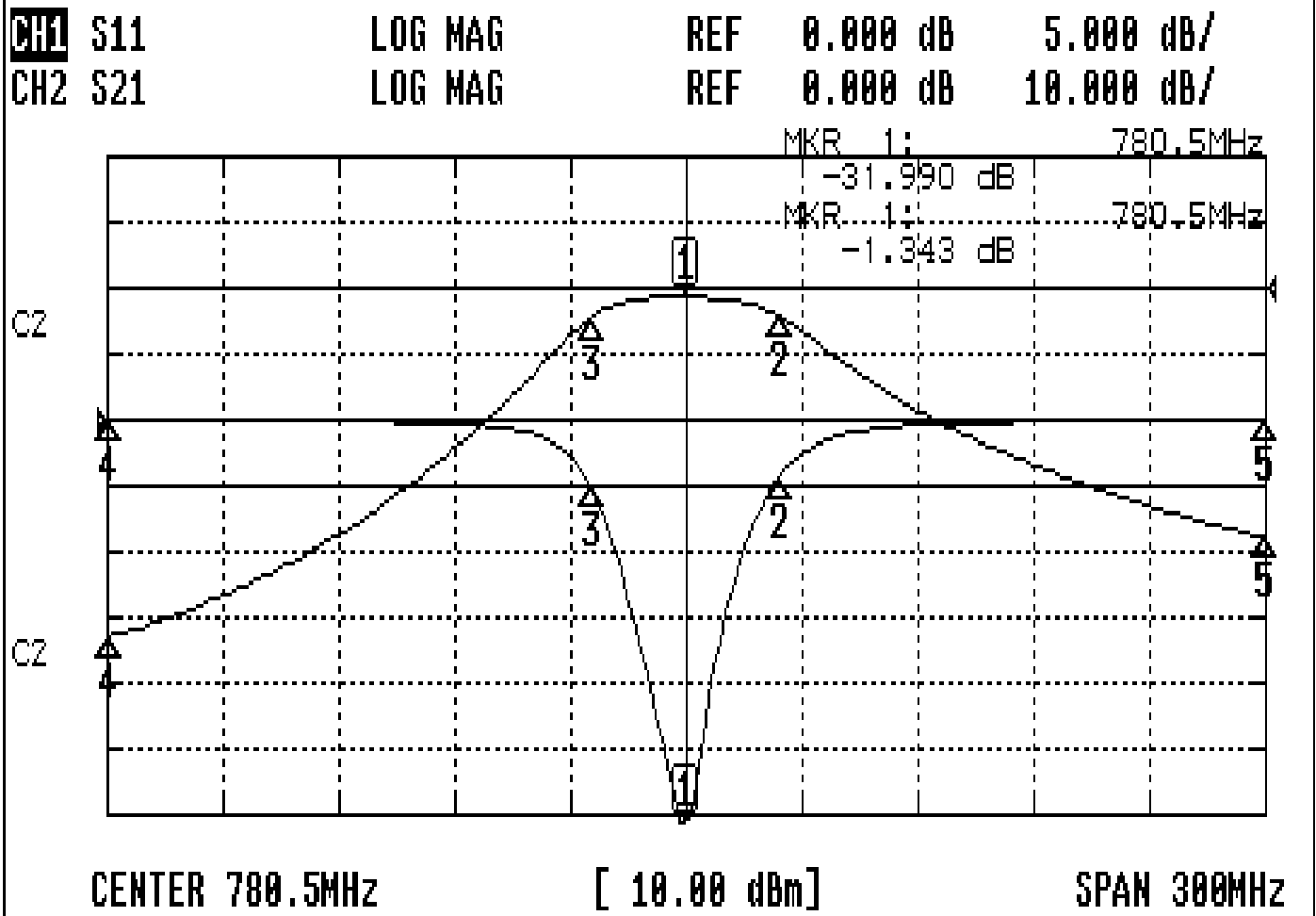
(Bottom View)

Approval C.Y.Chang	Supervisor C.K.Chang	Designer C.H.Yeh	Aperture size 7H3S(4*5.35)(5.40) 7H046RB5.5
-----------------------	-------------------------	---------------------	---

TEMWELL CORPORATION

# Performance-TT63910B-780.5M

## 201901016CD



### CH1 MARKER LIST

1	780.500MHz	-31.990	dB
2	804.800MHz	-4.266	dB
3	756.220MHz	-5.248	dB
4	630.500MHz	-0.022	dB
5	930.500MHz	0.024	dB

### CH2 MARKER LIST

1	780.500MHz	-1.341	dB
2	804.800MHz	-4.313	dB
3	756.220MHz	-4.338	dB
4	630.500MHz	-30.135	dB
5	930.500MHz	-37.814	dB