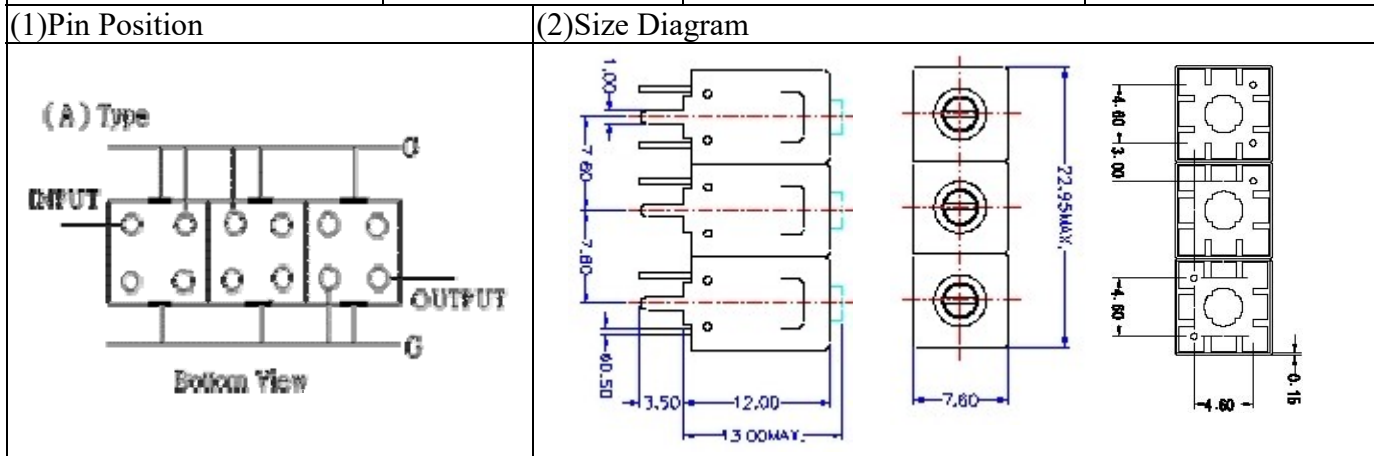


# VHF UHF Helical Filter Specification Sheet

Customer Name		Temwell's Part No.	TT63911A-782M
Approval No. /dated	201901017CD	Customer's Print Name.	63911A 782M
Work Instruction No.	201901017CD	Date	Jan.17.2019



### (3) Electric Chararistic

Item	Specify	Performance	
Center Freq.(Fo) +/- 0.5 %	782 MHz	782 MHz	
Insertion Loss	Typ. 5.5 dB	4.40 dB	
-3 dB Bandwidth	Typ. 12 MHz	12.7 MHz	
Sensitivity (Attenuation)	Fo - 100 MHz	Typ. 61 dBc	66 dBc
	Fo + 100 MHz	Typ. 52 dBc	57 dBc
	Fo - ( )MHz	Typ. dBc	dBc
	Fo +( )MHz	Typ. dBc	dBc
Return Loss	Min. 12 dB	28.1 dB	
Ripple	< 1 dB	dB	
Impedance	In / Out : 50 Ω	In / Out : 50 Ω	
(4) Torque for Tuning Screw	> 60gf · cm		

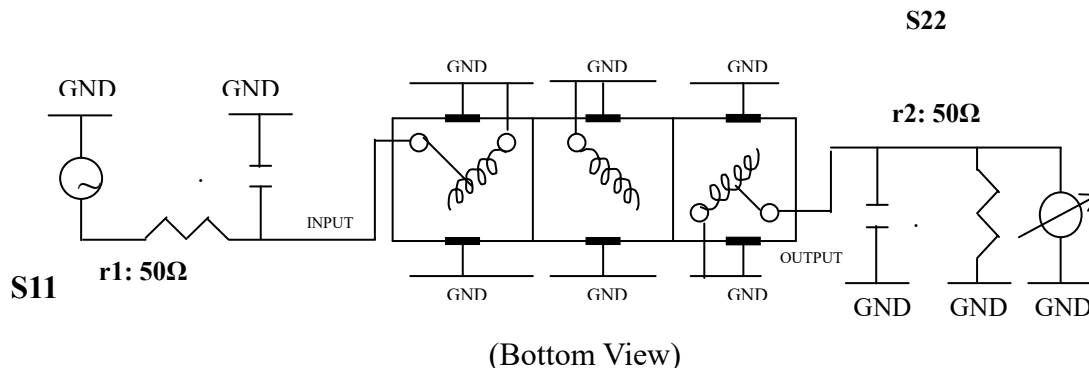
### (5) Temperature Condition:

Operating Temperature	0°C ~ +60°C
Storage Temperature	-20°C ~ +70°C

### (6) Input Power

> 1Watt

### (7) Measuring Circuit: ※Easy to match Impedance S11/S22 50Ω by parallel with about(--).



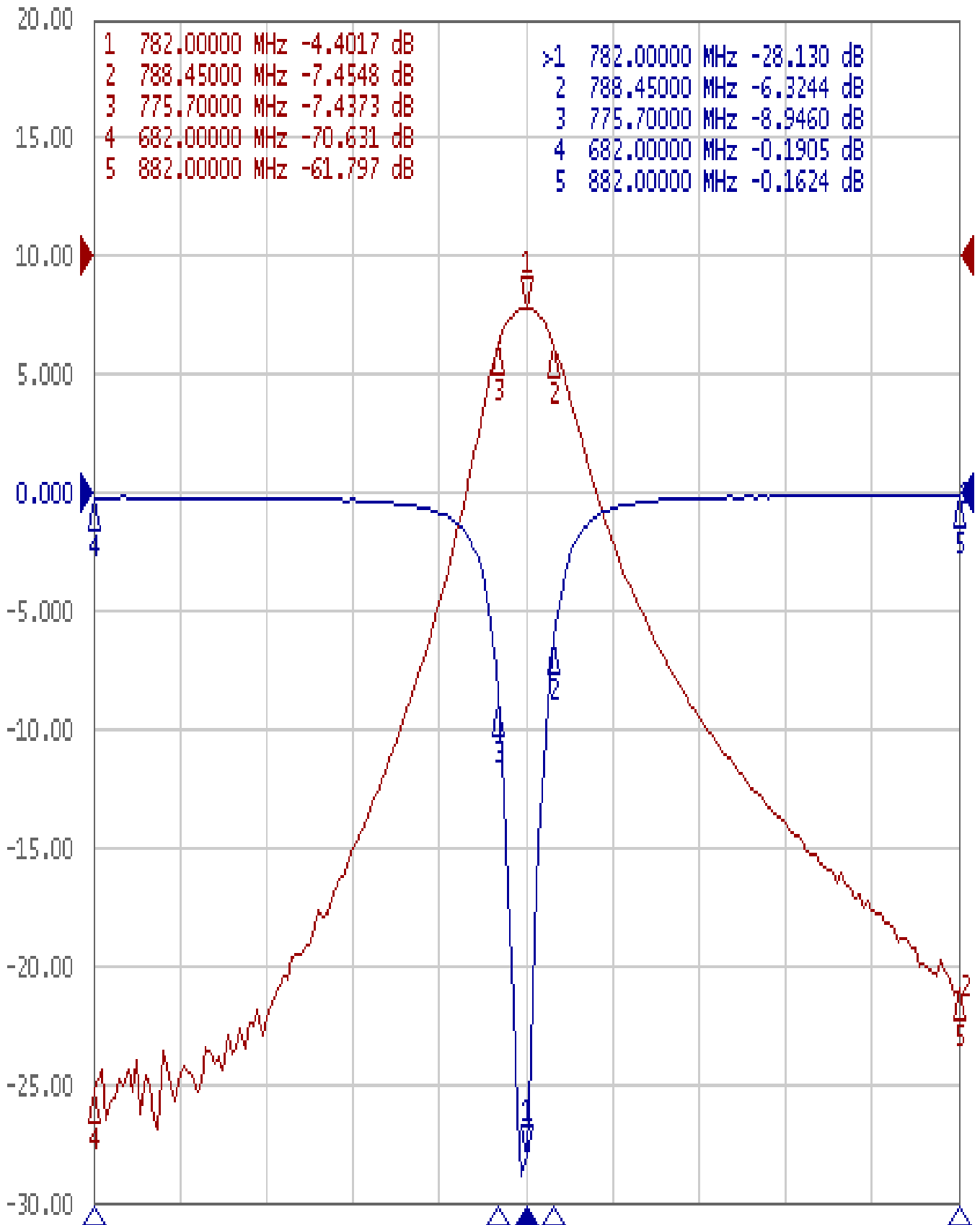
Approval	Supervisor	Designer	Aperture size
C.Y.Chang	C.K.Chang	W.W.Wang	7H3S( 4*4.65)(4.75) 7H046LB4.3 聚 3
TEMWELL CORPORATION			

# Performance-TT63911A-782M

## 201901017CD

Tr1 S11 Log Mag 5.000dB/ Ref 0.000dB [F2]

Tr2 S21 Log Mag 10.00dB/ Ref 0.000dB [F2]



1 Center 782 MHz

IFBW 70 kHz

Span 200 MHz Cor !