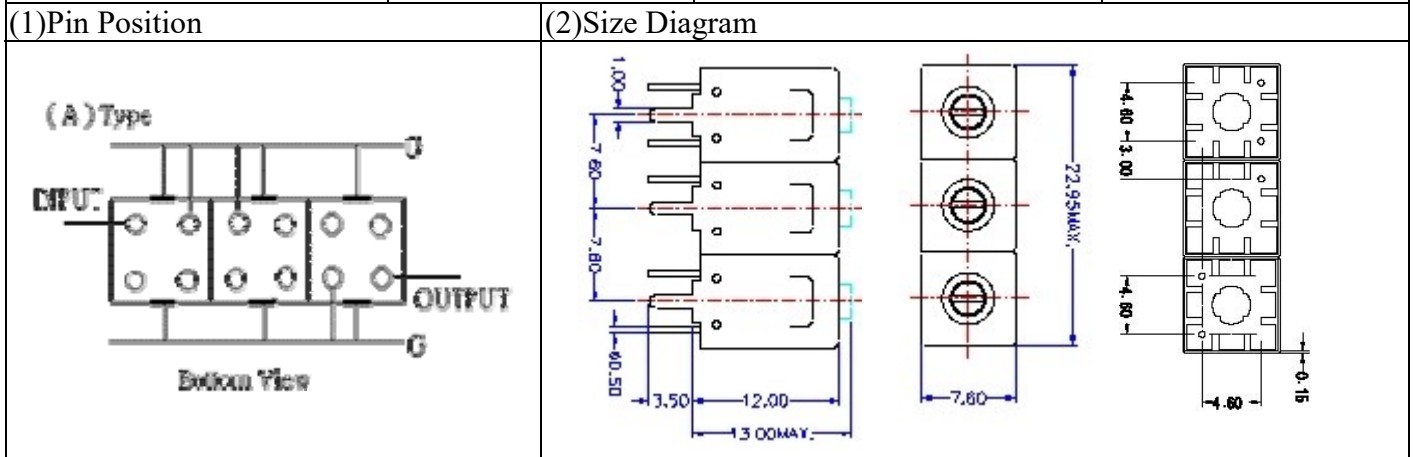


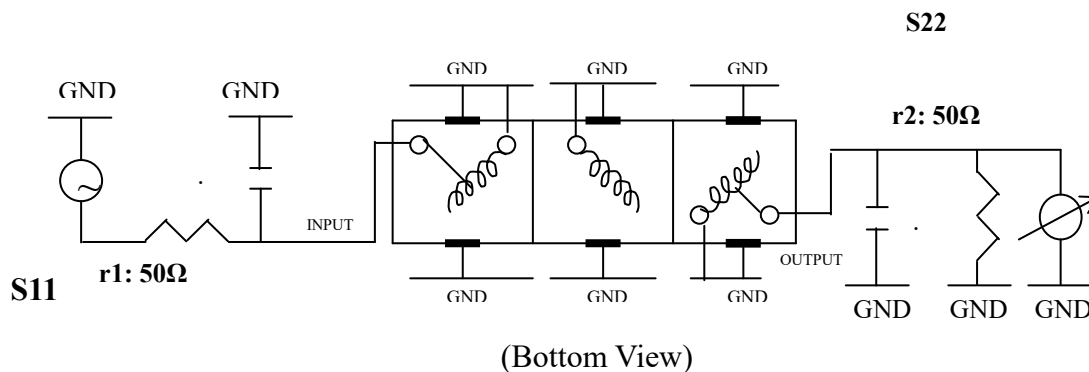
VHF UHF Helical Filter Specification Sheet

Customer Name		Temwell's Part No.	TT63914A-813.5M
Approval No. /dated	201901020CD	Customer's Print Name.	63914A 813.5M
Work Instruction No.	201901020CD	Date	Jan.18.2019



(3)Electric Chararestic					
Item		Specify		Performance	
Center Freq.(Fo) +/- 0.5 %		813.5 MHz		813.5 MHz	
Insertion Loss		Typ. 4.5 dB		3.66 dB	
-3 dB Bandwidth		Typ. 15 MHz		15.6 MHz	
Sensitivity (Attenuation)	Fo - 50 MHz	Typ. 43 dBc		48 dBc	
	Fo + 50 MHz	Typ. 32 dBc		37 dBc	
	Fo - ()MHz	Typ. dBc		dBc	
	Fo + ()MHz	Typ. dBc		dBc	
Return Loss		Min. 12 dB		32.0 dB	
Ripple		< 1 dB		dB	
Impedance		In / Out : 50 Ω		In / Out : 50 Ω	
(4)Torque for Tuning Screw		> 60gf · cm			
(5)Temperature Condition:					
Operating Temperature		0°C ~ +60°C			
Storage Temperature		-20°C ~ +70°C			
(6)Input Power		> 1Watt			

(7)Measuring Circuit: ※Easy to match Impedance S11/S22 50Ω by parallel with about(--).



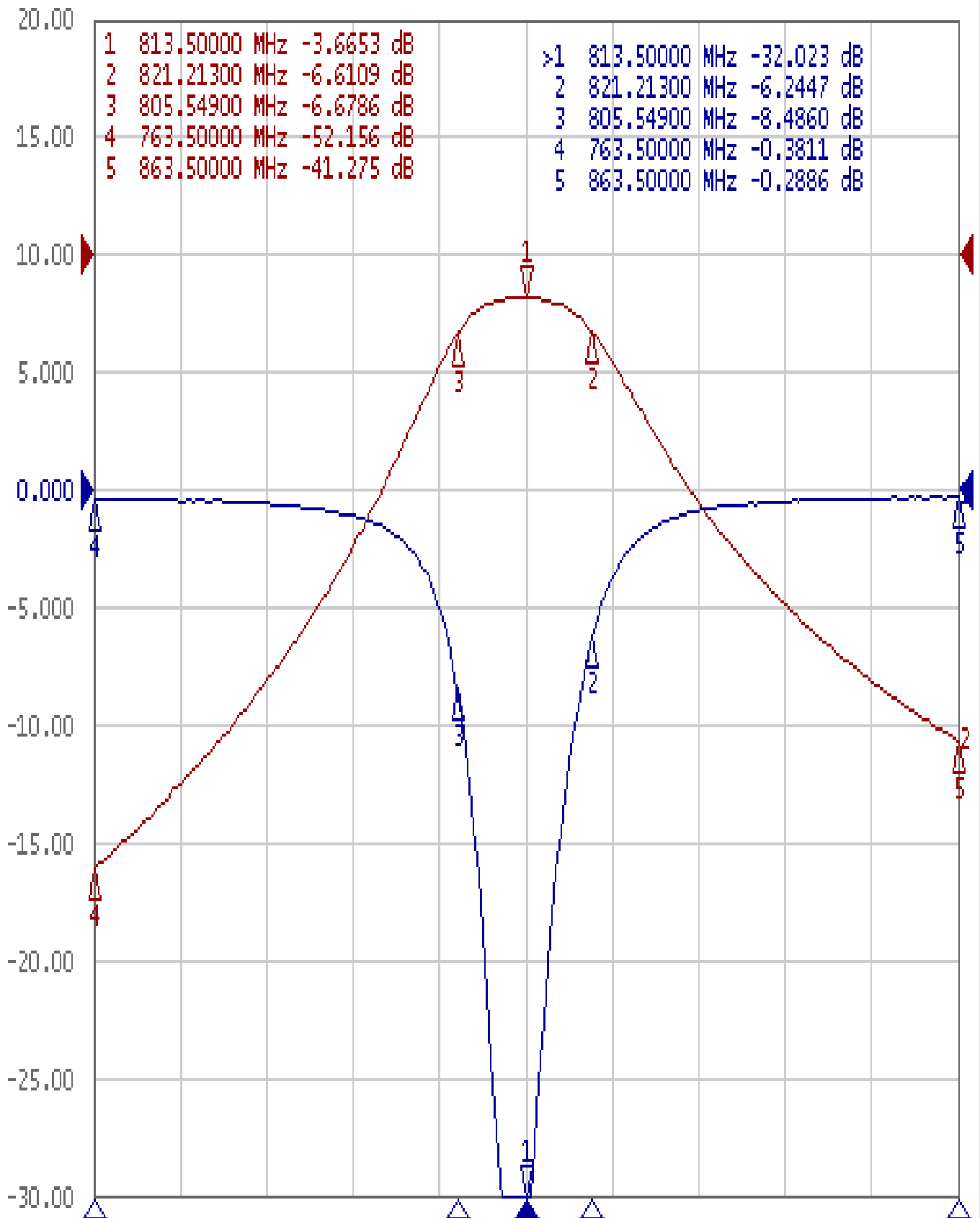
Approval C.Y.Chang	Supervisor C.K.Chang	Designer W.W.Wang	Aperture size 7H3S(4*4.65)(4.75) 7H046LB4.3 聚 3
-----------------------	-------------------------	----------------------	--

TEMWELL CORPORATION

Performance-TT63914A-813.5M

201901020CD

Tr1 511 Log Mag 5.000dB/ Ref 0.000dB [F2]
Tr2 521 Log Mag 10.00dB/ Ref 0.000dB [F2]



1 Center 813.5 MHz

IFBW 70 kHz

Span 100 MHz Cor !