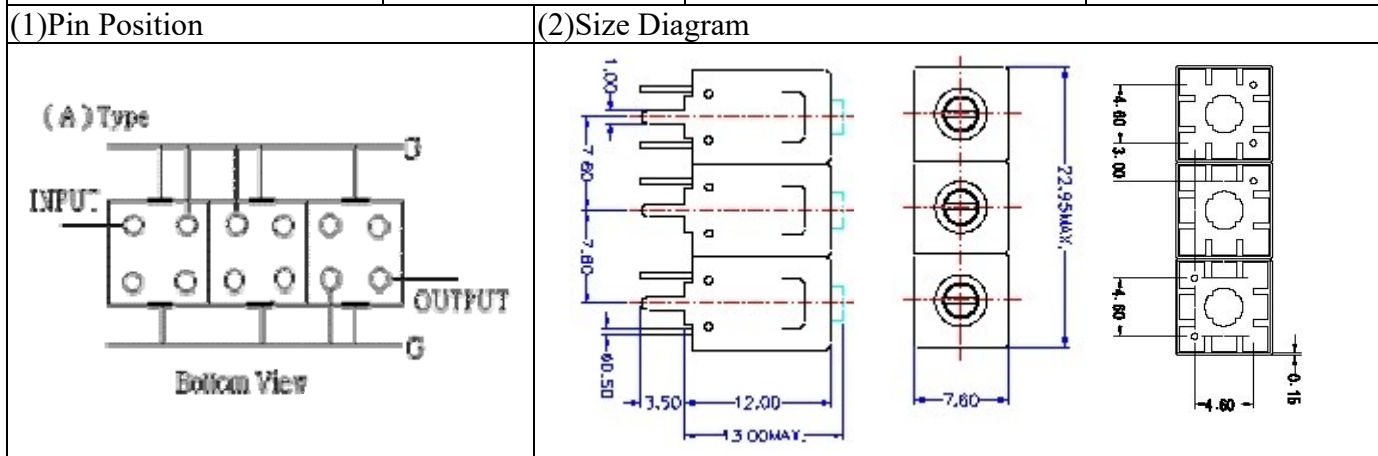


VHF UHF Helical Filter Specification Sheet

Customer Name		Temwell's Part No.	TT63915A-815.5M
Approval No. /dated	201901021CD	Customer's Print Name.	63915A 815.5M
Work Instruction No.	201901021CD	Date	Jan.19.2019



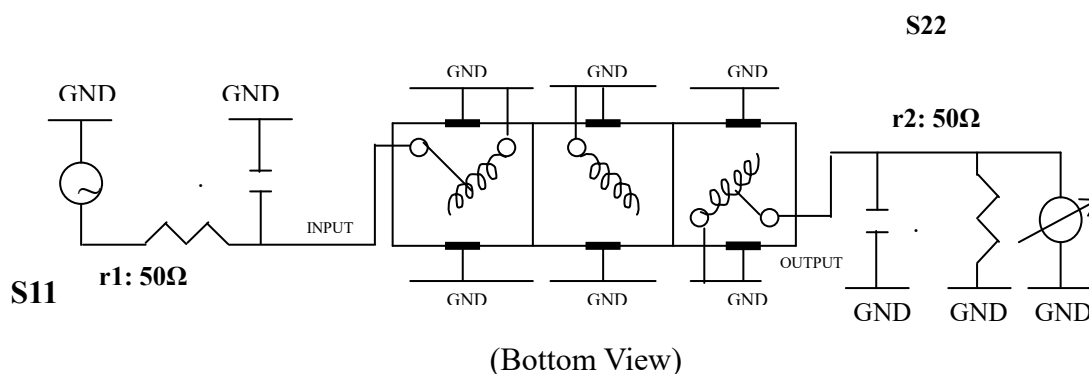
(3) Electric Chararistic		Specify	Performance
Center Freq.(Fo) +/- 0.5 %		815.5 MHz	815.5 MHz
Insertion Loss		Typ. 4.0 dB	3.11 dB
-3 dB Bandwidth		Typ. 17 MHz	18.1 MHz
Sensitivity (Attenuation)	Fo - 50 MHz	Typ. 39 dBc	44 dBc
	Fo + 50 MHz	Typ. 29 dBc	34 dBc
	Fo - ()MHz	Typ. dBc	dBc
	Fo +()MHz	Typ. dBc	dBc
Return Loss		Min. 12 dB	25.8 dB
Ripple		< 1 dB	dB
Impedance		In / Out : 50 Ω	In / Out : 50 Ω

(4) Torque for Tuning Screw > 60gf · cm

(5) Temperature Condition:	
Operating Temperature	0°C ~ +60°C
Storage Temperature	-20°C ~ +70°C

(6) Input Power > 1Watt

(7) Measuring Circuit: ※Easy to match Impedance S11/S22 50Ω by parallel with about(--).



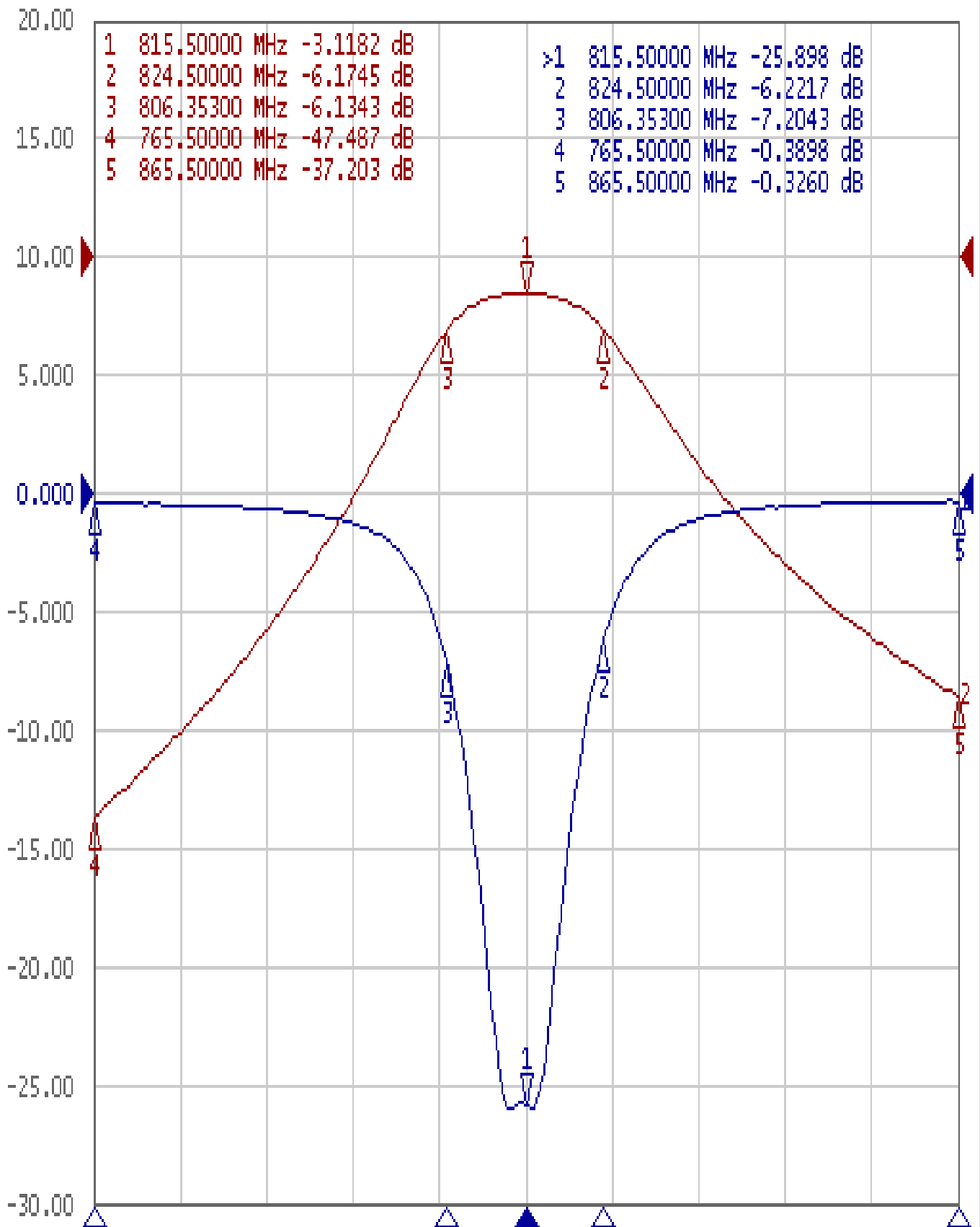
Approval	Supervisor	Designer	Aperture size
C.Y.Chang	C.K.Chang	W.W.Wang	7H3S(4*4.65)(4.75) 7H046LB4.3 聚 3

TEMWELL CORPORATION

Performance-TT63915A-815.5M

201901021CD

Tr1 S11 Log Mag 5.000dB/ Ref 0.000dB [F2]
Tr2 S21 Log Mag 10.00dB/ Ref 0.000dB [F2]



1 Center 815.5 MHz

IFBW 70 kHz

Span 100 MHz Cor !