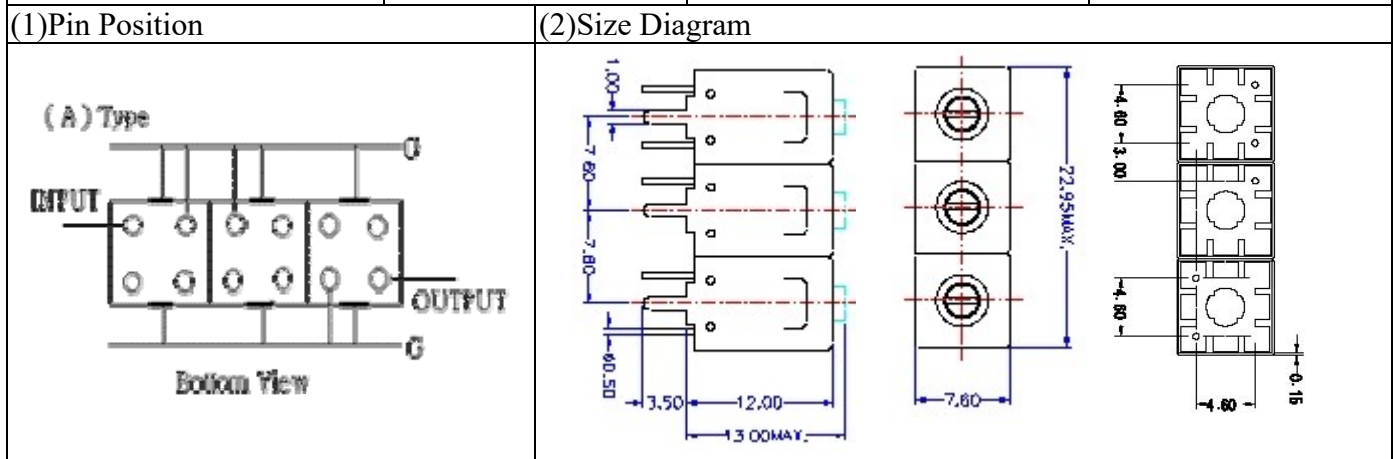
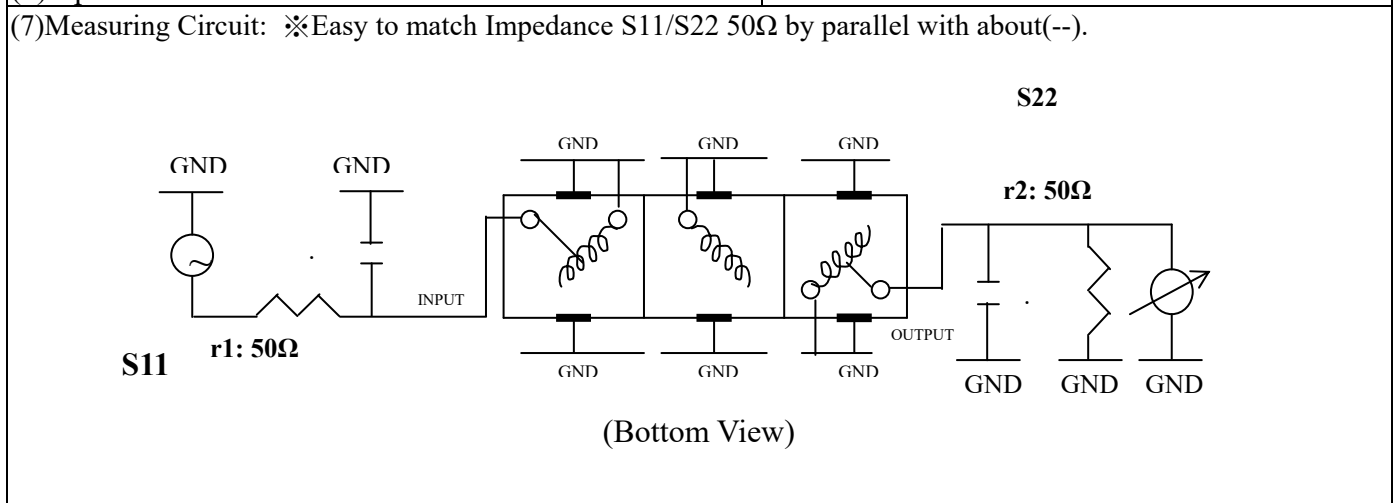


VHF UHF Helical Filter Specification Sheet

| | | | |
|----------------------|-------------|------------------------|------------------|
| Customer Name | | Temwell's Part No. | TT63916A-831.5M |
| Approval No. /dated | 201901022CD | Customer's Print Name. | 63916A 831.5M |
| Work Instruction No. | 201901022CD | Date | Jan.21.2019 |



| | | | | | |
|------------------------------|-------------|-----------------|--|-----------------|--|
| (3) Electric Characteristic | | | | | |
| Item | | Specify | | Performance | |
| Center Freq.(Fo) +/- 0.5 % | | 831.5 MHz | | 831.5 MHz | |
| Insertion Loss | | Typ. 3.0 dB | | 2.05 dB | |
| -3 dB Bandwidth | | Typ. 35 MHz | | 36.1 MHz | |
| Sensitivity (Attenuation) | Fo - 50 MHz | Typ. 29 dBc | | 34 dBc | |
| | Fo + 50 MHz | Typ. 19 dBc | | 24 dBc | |
| | Fo - ()MHz | Typ. dBc | | dBc | |
| | Fo + ()MHz | Typ. dBc | | dBc | |
| Return Loss | | Min. 12 dB | | 23.4 dB | |
| Ripple | | < 1 dB | | dB | |
| Impedance | | In / Out : 50 Ω | | In / Out : 50 Ω | |
| (4) Torque for Tuning Screw | | > 60gf · cm | | | |
| (5) Temperature Condition: | | | | | |
| Operating Temperature | | 0°C ~ +60°C | | | |
| Storage Temperature | | -20°C ~ +70°C | | | |
| (6) Input Power | | > 1Watt | | | |



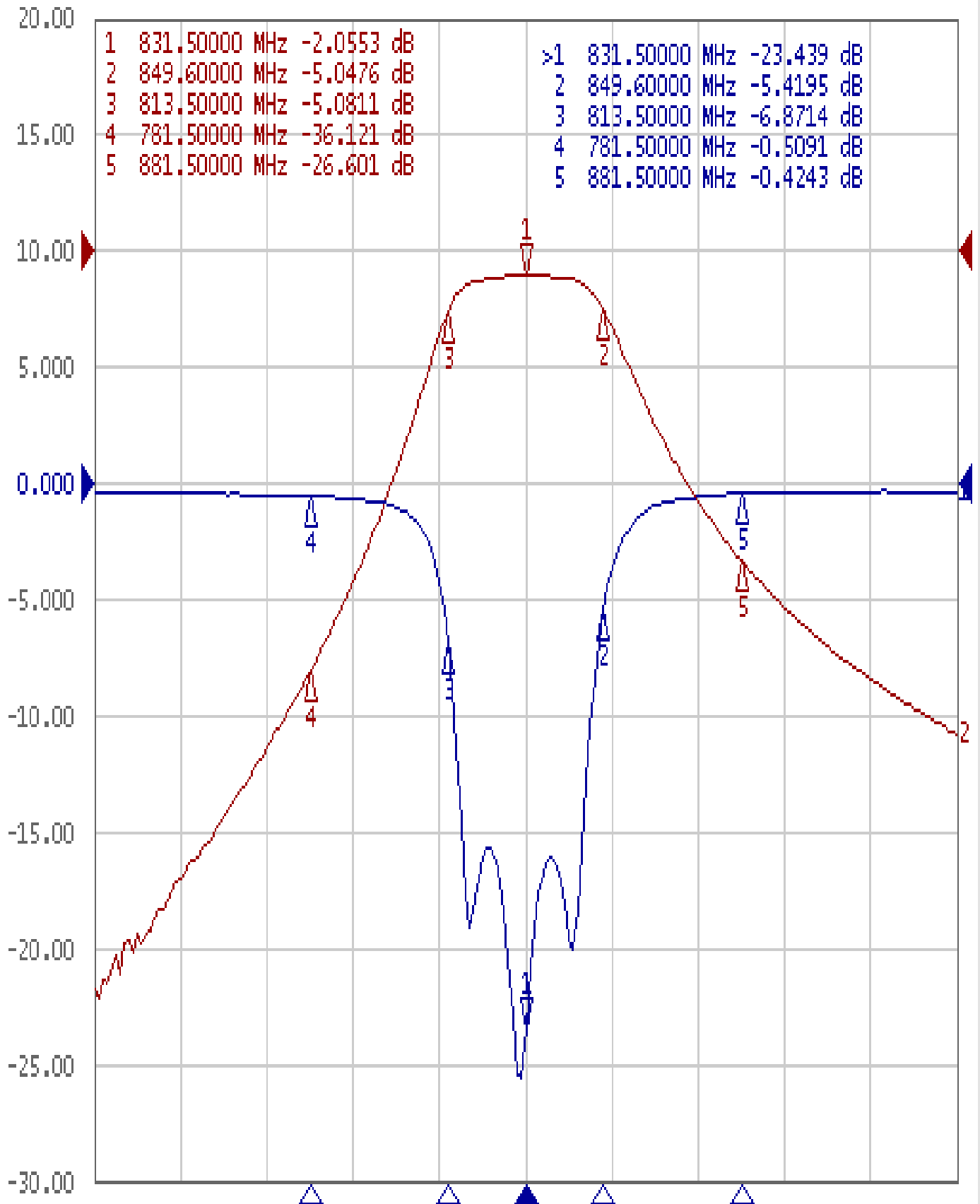
| | | | |
|-----------|------------|----------|--------------------------------------|
| Approval | Supervisor | Designer | Aperture size |
| C.Y.Chang | C.K.Chang | W.W.Wang | 7H3S(4*6.5)(6.53) 7H046LB4.3 聚 3 |

TEMWELL CORPORATION

Performance-TT63916A-831.5M

201901022CD

Tr1 S11 Log Mag 5.000dB/ Ref 0.000dB [F2]
Tr2 S21 Log Mag 10.00dB/ Ref 0.000dB [F2]



1 Center 831.5 MHz

IFBW 70 kHz

Span 200 MHz

Cor !