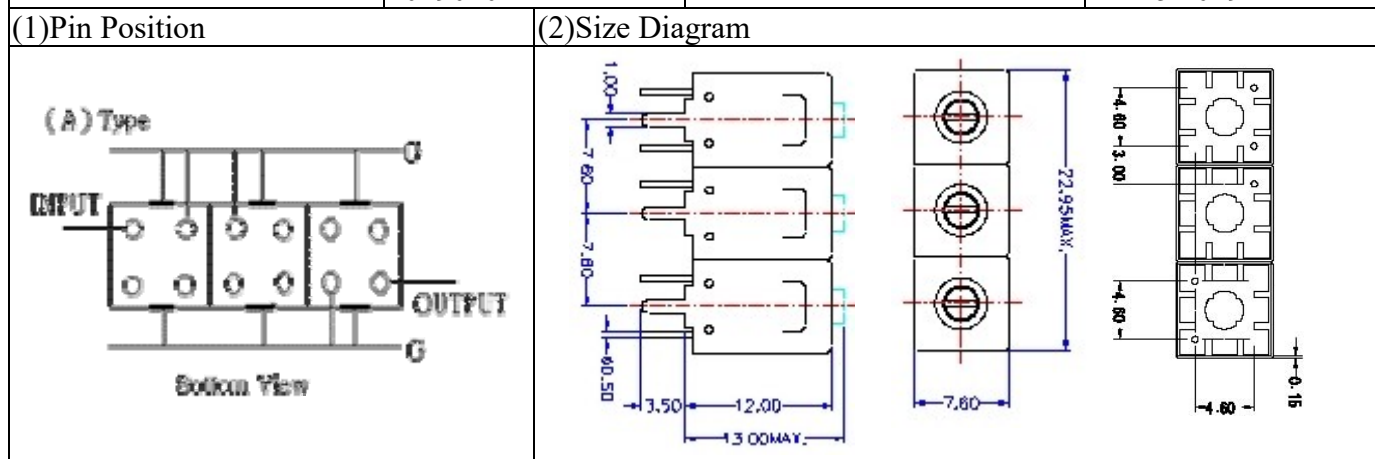


# VHF UHF Helical Filter Specification Sheet

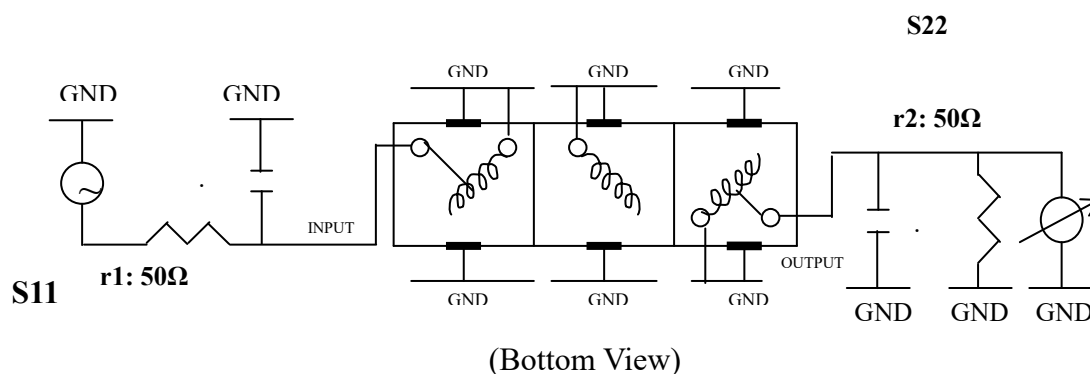
Customer Name		Temwell's Part No.	TT63918A-858.5M
Approval No. /dated	201901024CD	Customer's Print Name.	63918A 858.5M
Work Instruction No.	201901024CD	Date	Jan.25.2019



(3) Electric Chararctic

Item	Specify	Performance	
Center Freq.(Fo) +/- 0.5 %	858.5 MHz	858.5 MHz	
Insertion Loss	Typ. 5.0 dB	3.83 dB	
-3 dB Bandwidth	Typ. 15 MHz	16.7 MHz	
Sensitivity (Attenuation)	Fo - 50 MHz	Typ. 40 dBc	45 dBc
	Fo + 50 MHz	Typ. 29 dBc	34 dBc
	Fo - ( )MHz	Typ. dBc	dBc
	Fo +( )MHz	Typ. dBc	dBc
Return Loss	Min. 12 dB	41.9 dB	
Ripple	< 1 dB	dB	
Impedance	In / Out : 50 Ω	In / Out : 50 Ω	
(4) Torque for Tuning Screw	> 60gf · cm		
(5) Temperature Condition:			
Operating Temperature	0°C ~ +60°C		
Storage Temperature	-20°C ~ +70°C		
(6) Input Power	> 1Watt		

(7) Measuring Circuit: ※Easy to match Impedance S11/S22 50Ω by parallel with about(--).

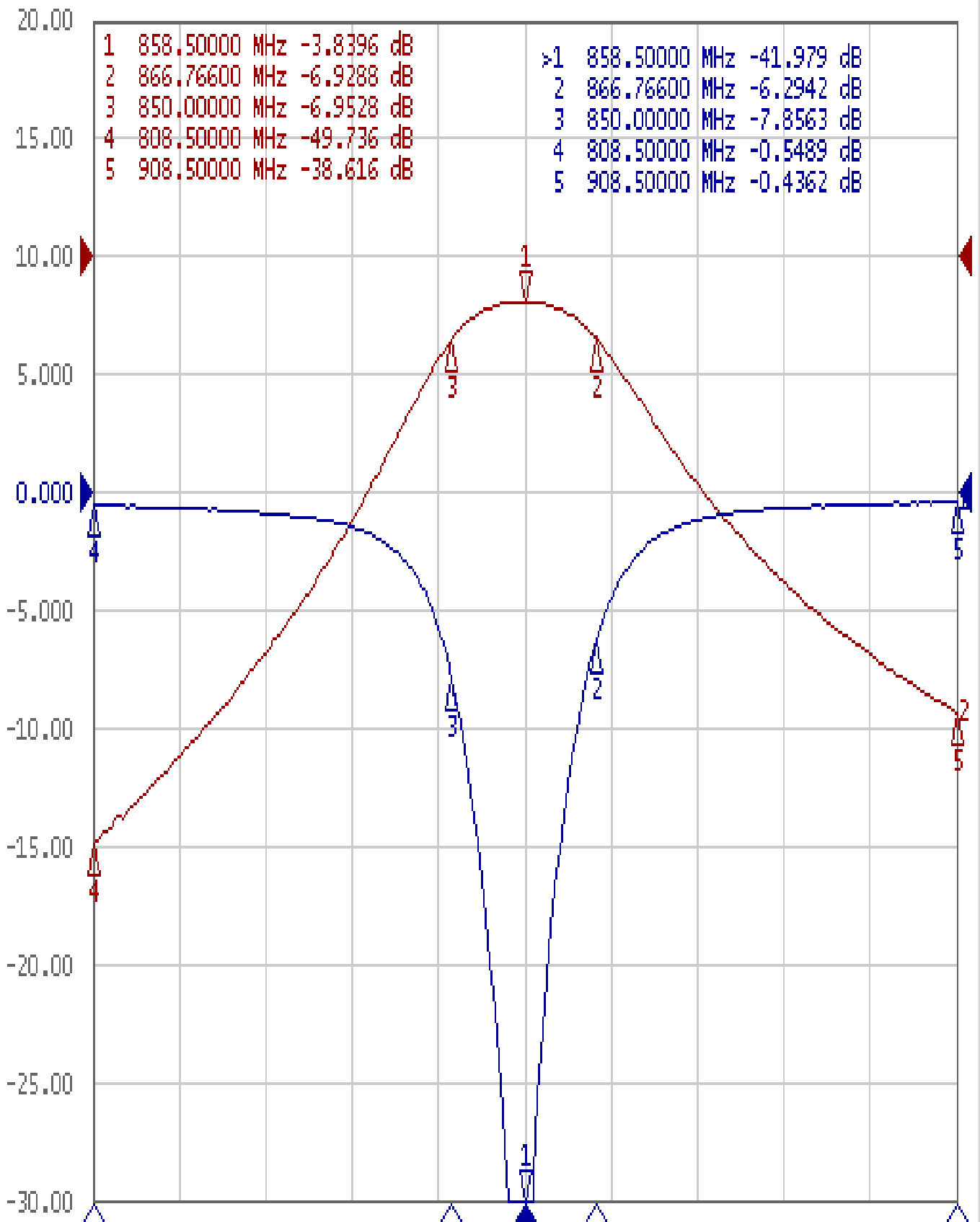


Approval	Supervisor	Designer	Aperture size
C.Y.Chang	C.K.Chang	W.W.Wang	7H3S( 4*4.5)(4.55) 7H046LB4.3 聚 3
TEMWELL CORPORATION			

# Performance-TT63918A-858.5M

## 201901024CD

▶ Tr1 S11 Log Mag 5.000dB/ Ref 0.000dB [F2]  
Tr2 S21 Log Mag 10.00dB/ Ref 0.000dB [F2]



1 Center 858.5 MHz

IFBW 70 kHz

Span 100 MHz Cor !