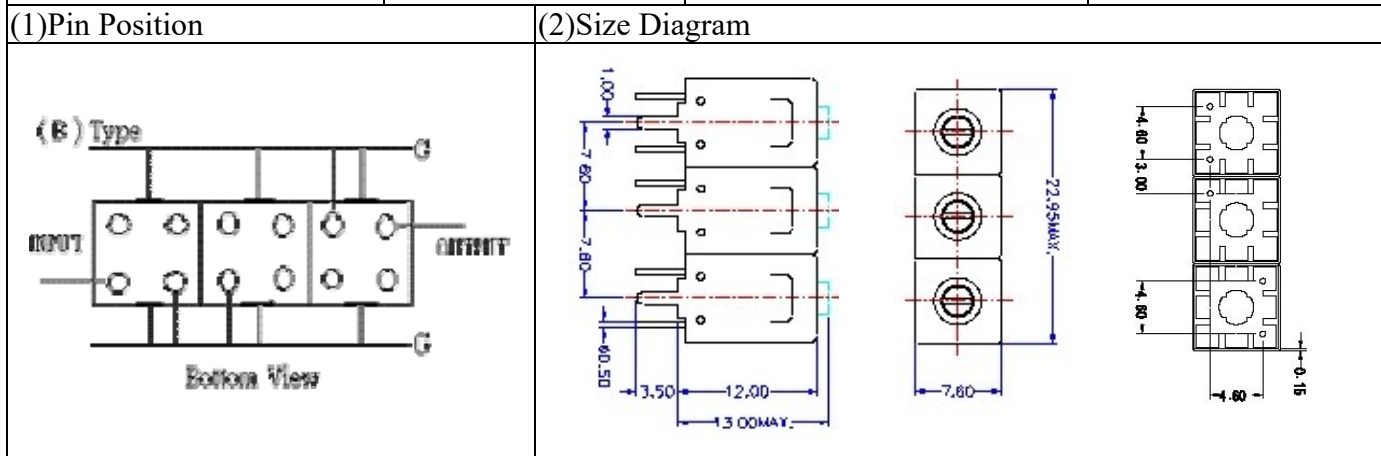


VHF UHF Helical Filter Specification Sheet

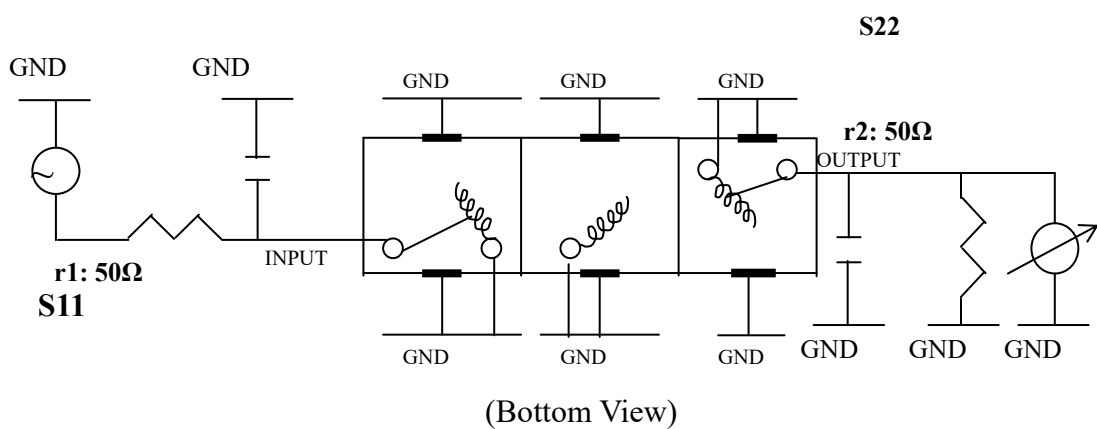
Customer Name		Temwell's Part No.	TT63919B-860.5M
Approval No. /dated	201901025CD	Temwell's Print name.	63919B 860.5M
Work Instruction No.	201901025CD	Date	Jan.22.2019



(3) Electric Chararistic			
Item	Specify	Performance	
Center Freq.(Fo) +/- 0.5 %	860.5 MHz	860.5 MHz	
Insertion Loss	Typ. 4.0 dB	3.03 dB	
-3 dB Bandwidth	Typ. 17 MHz	20.2 MHz	
Sensitivity (Attenuation)	Fo - 50 MHz	Typ. 42 dBc	47 dBc
	Fo + 50 MHz	Typ. 29 dBc	34 dBc
	Fo - () MHz	Typ. dBc	dBc
	Fo + () MHz	Typ. dBc	dBc
Return Loss	Min. 12 dB	30.8 dB	
Ripple	< 1 dB	dB	
Impedance	In / Out : 50 Ω	In / Out : 50 Ω	
(4) Torque for Tuning Screw	> 60gf · cm		

(5) Temperature Condition:	
Operating Temperature	0°C ~ +60°C
Storage Temperature	-20°C ~ +70°C
(6) Input Power	> 1Watt

(7) Measuring Circuit: ※Easy to match Impedance S11/S22 50Ω by parallel with about (-).

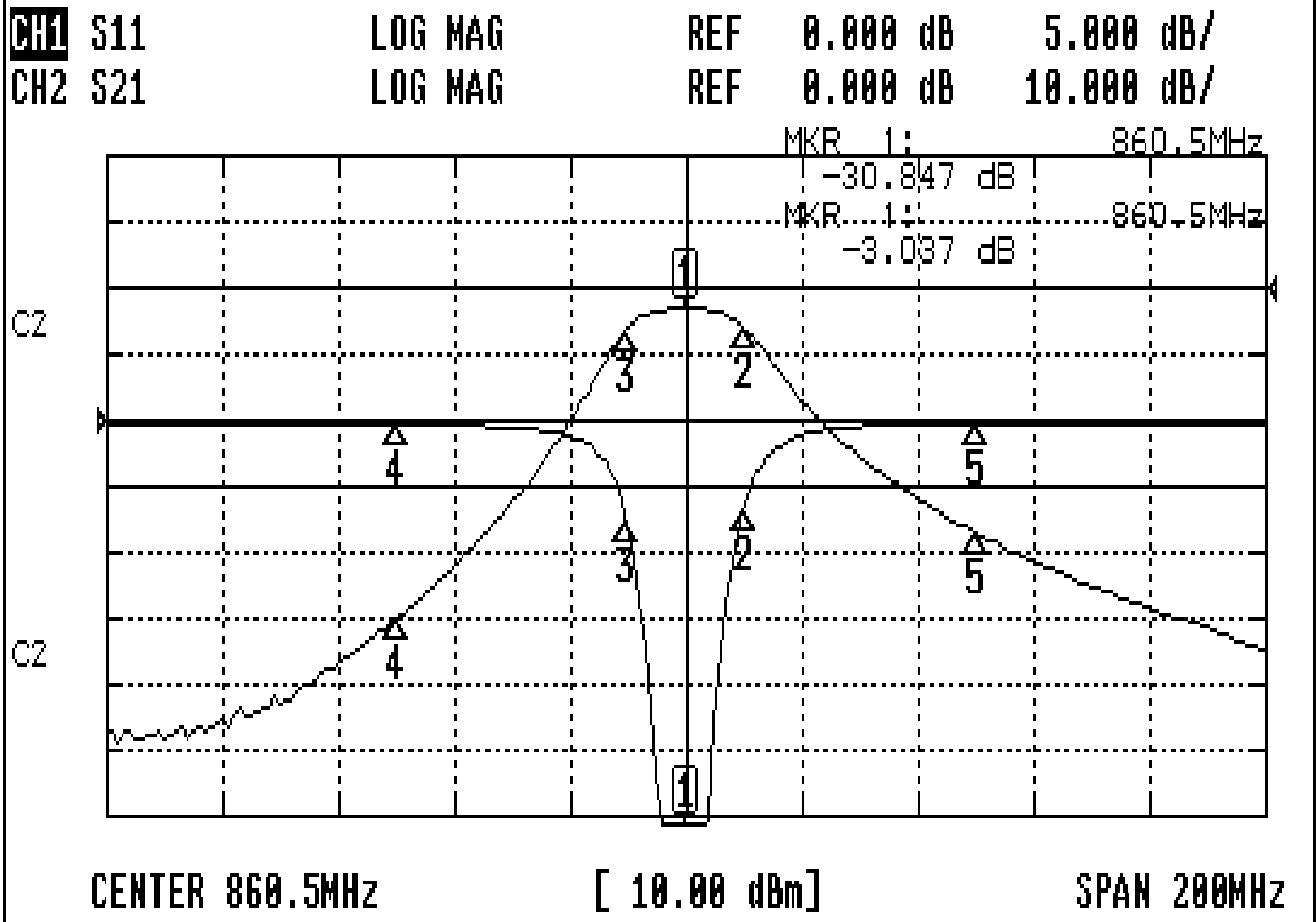


Approval	Supervisor	Designer	Aperture size
C.Y.Chang	C.K.Chang	C.H.Yeh	7H3S(4*5.35)(5.41) 7H046RB4

TEMWELL CORPORATION

Performance-TT63919B-860.5M

201901025CD



CH1 MARKER LIST

1:	860.500MHz	-30.847	dB
2:	870.620MHz	-16.524	dB
3:	850.370MHz	-7.829	dB
4:	910.500MHz	-0.278	dB
5:	910.500MHz	-0.216	dB

CH2 MARKER LIST

1:	860.500MHz	-3.037	dB
2:	870.620MHz	-1.037	dB
3:	850.370MHz	-0.222	dB
4:	910.500MHz	-0.072	dB
5:	910.500MHz	-0.066	dB