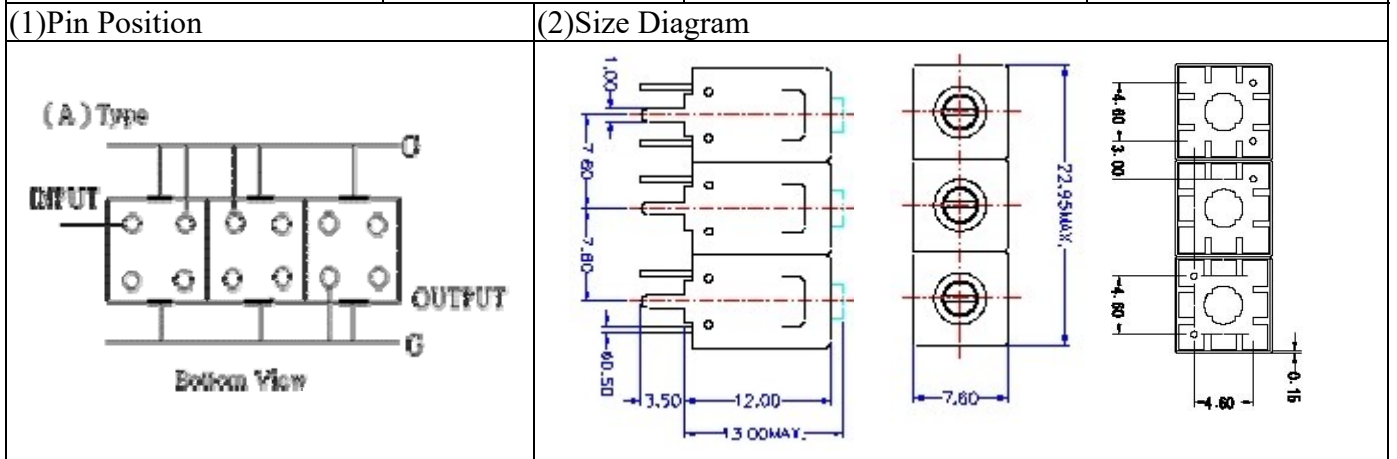


# VHF UHF Helical Filter Specification Sheet

Customer Name		Temwell's Part No.	TT63921A-782M
Approval No. /dated	201901028CD	Temwell's Print Name	63921A 782M
Work Instruction No.	201901028CD	Date	Jan.23.2019



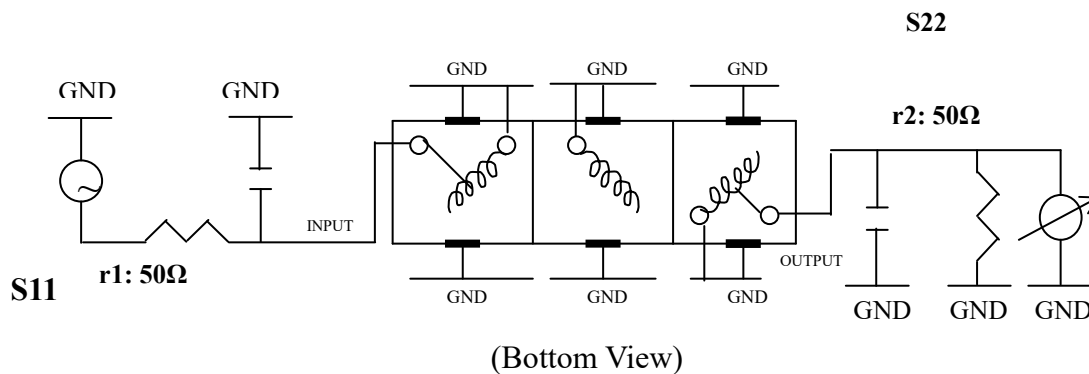
(3) Electric Chararestic		Specify	Performance
Center Freq.(Fo) +/- 0.5 %		782 MHz	782 MHz
Insertion Loss		Typ. 5.0 dB	4.02 dB
-3 dB Bandwidth		Typ. 10 MHz	13.2 MHz
Sensitivity (Attenuation)	Fo - 100 MHz	Typ. 54 dBc	64 dBc
	Fo + 100 MHz	Typ. 52 dBc	58 dBc
	Fo - ( )MHz	Typ. dBc	dBc
	Fo +( )MHz	Typ. dBc	dBc
Return Loss		Min. 12 dB	23.5 dB
Ripple		< 1 dB	dB
Impedance		In / Out : 50 Ω	In / Out : 50 Ω

(4) Torque for Tuning Screw > 60gf · cm

(5) Temperature Condition:	
Operating Temperature	0°C ~ +60°C
Storage Temperature	-20°C ~ +70°C

(6) Input Power > 1 Watt

(7) Measuring Circuit: ※Easy to match Impedance S11/S22 50Ω by parallel with about(- -).



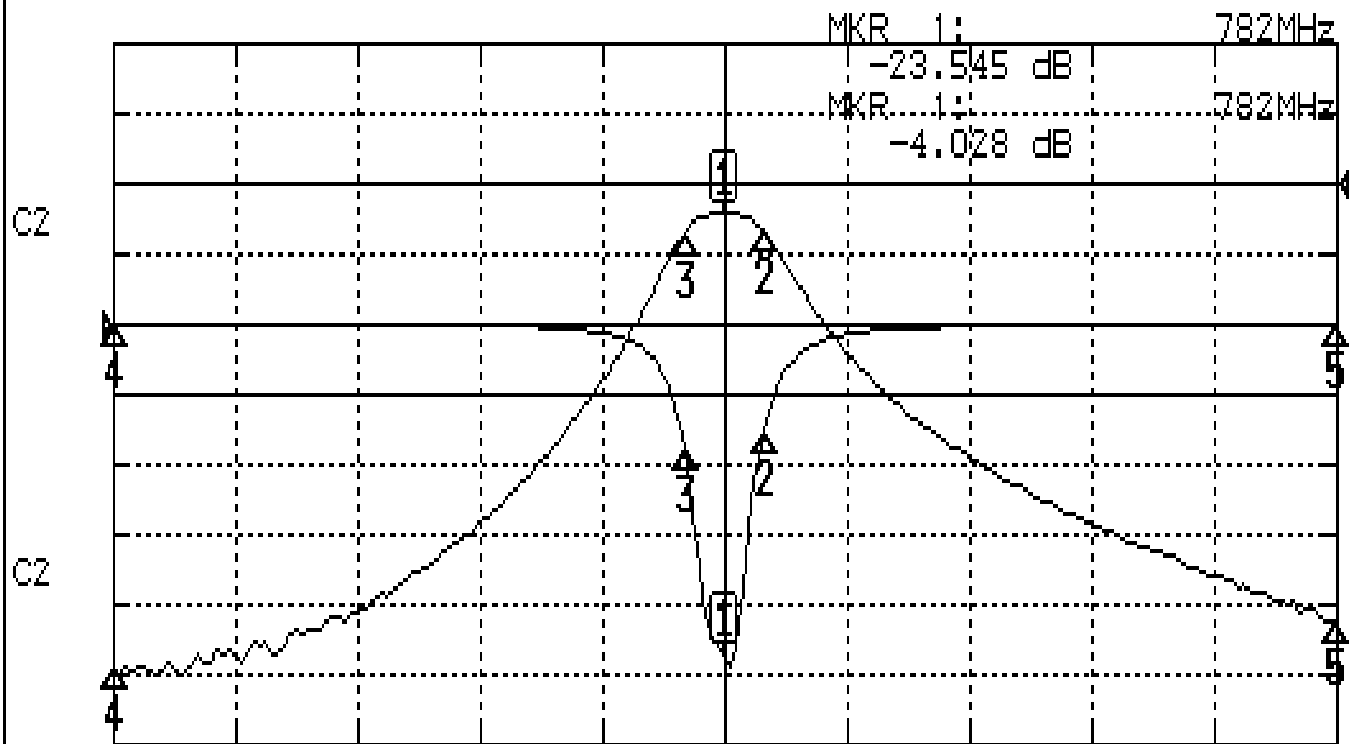
Approval	Supervisor	Designer	Aperture size
C.Y.Chang	C.K.Chang	M.Y.Kang	7H3S(4*4.65)(4.72) 7H046LB4.3 聚 3

TEMWELL CORPORATION

# Performance-TT63921A-782M

## 201901028CD

CH1 S11 LOG MAG REF 0.000 dB 5.000 dB/  
CH2 S21 LOG MAG REF 0.000 dB 10.000 dB/



CENTER 782MHz

[ 10.00 dBm ]

SPAN 200MHz

### CH1 MARKER LIST

1	782.000MHz	-23.517 dB
2	788.700MHz	-7.348 dB
3	775.480MHz	-8.974 dB
4	682.000MHz	0.082 dB
5	882.000MHz	0.135 dB

### CH2 MARKER LIST

1	782.000MHz	-4.028 dB
2	788.700MHz	-7.046 dB
3	775.480MHz	-7.029 dB
4	682.000MHz	-68.541 dB
5	882.000MHz	-62.228 dB