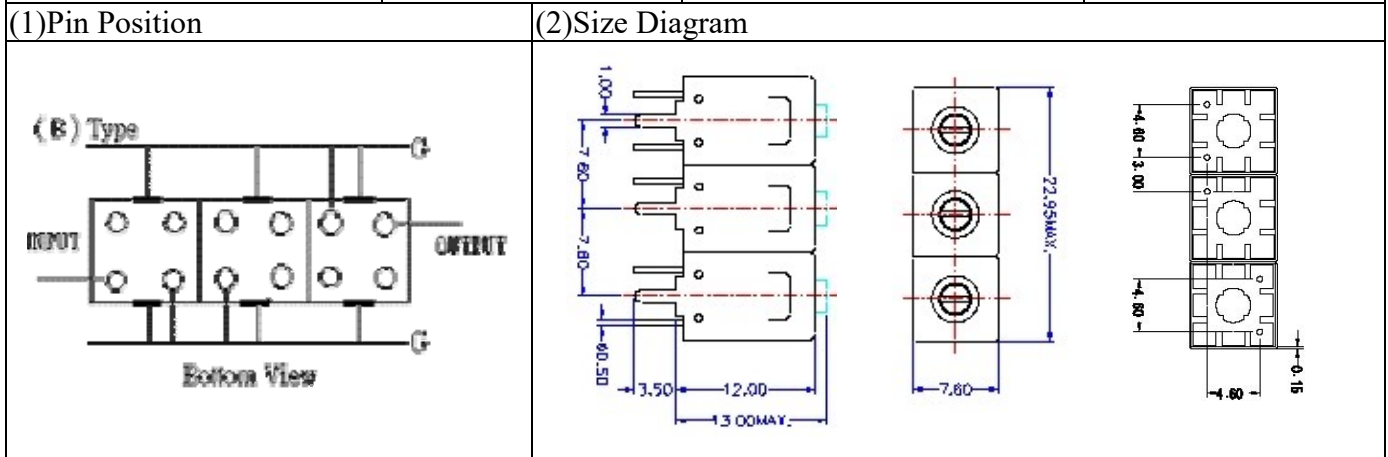


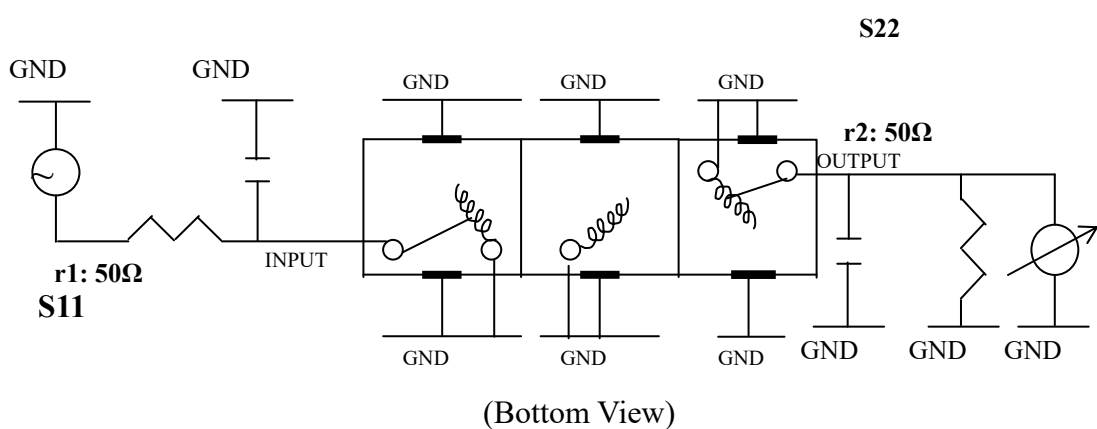
# VHF UHF Helical Filter Specification Sheet

Customer Name		Temwell's Part No.	TT63938B-1457M
Approval No. /dated	201901057CD	Temwell's Print name.	63938B 1457M
Work Instruction No.	201901057CD	Date	Mar.05.2019



(3) Electric Chararistic					
Item		Specify		Performance	
Center Freq.(Fo) +/- 0.5 %		1457	MHz	1457	MHz
Insertion Loss		Typ. 5.0	dB	4.24	dB
-3 dB Bandwidth		Typ. 20	MHz	26.7	MHz
Sensitivity (Attenuation)	Fo - 50 MHz	Typ. 26	dBc	31	dBc
	Fo + 50 MHz	Typ. 19	dBc	24	dBc
	Fo - ( ) MHz	Typ	dBc		dBc
	Fo + ( ) MHz	Typ.	dBc		dBc
Return Loss		Min. 12	dB	26.2	dB
Ripple		< 1	dB		dB
Impedance		In / Out : 50 Ω		In / Out : 50 Ω	
(4) Torque for Tuning Screw		> 60gf · cm			
(5) Temperature Condition:					
Operating Temperature		0°C ~ +60°C			
Storage Temperature		-20°C ~ +70°C			
(6) Input Power		> 1Watt			

(7) Measuring Circuit: ※Easy to match Impedance S11/S22 50Ω by parallel with about (-) .



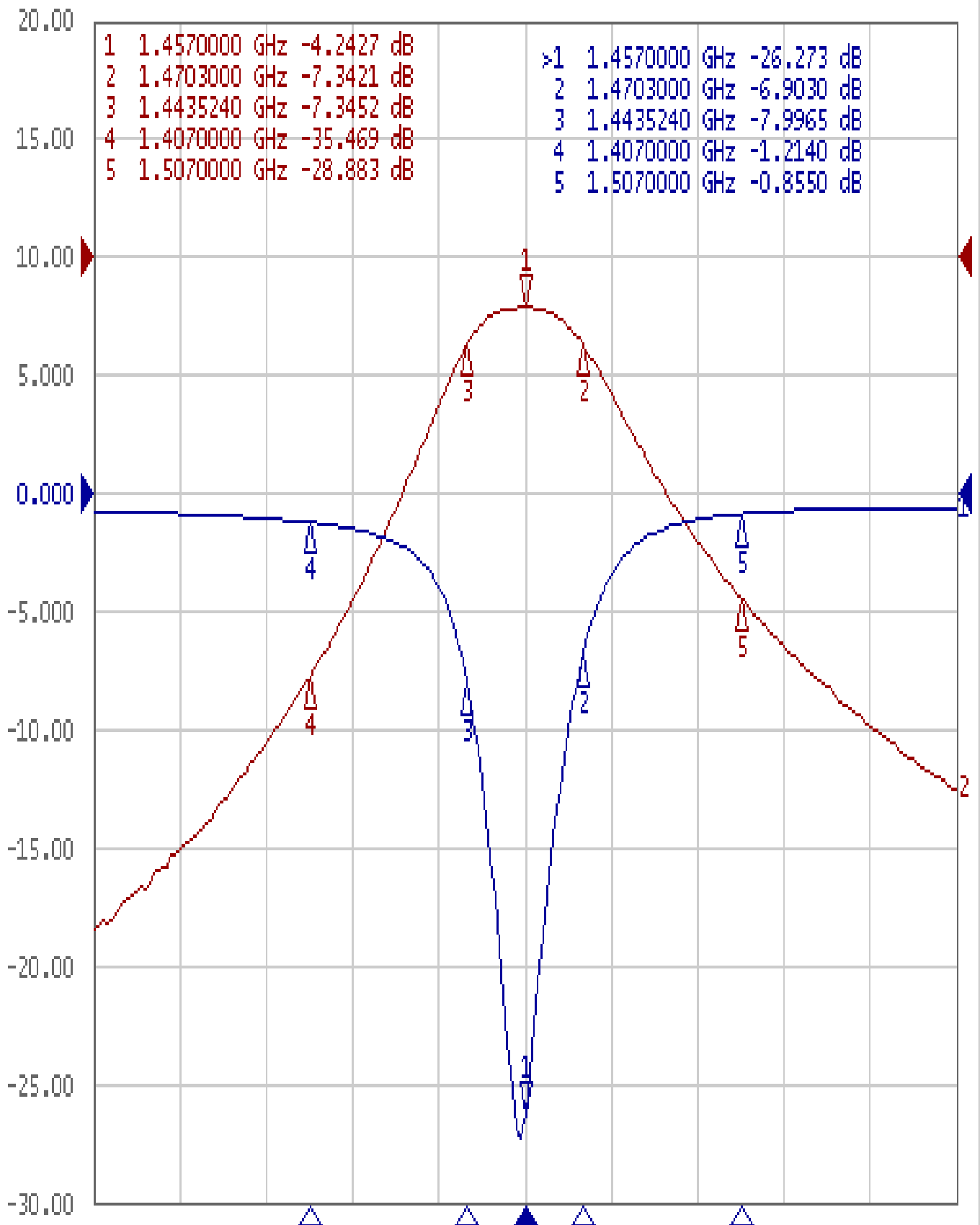
Approval	Supervisor	Designer	Aperture size
C.Y.Chang	C.K.Chang	W.W.Wang	7H3S(4*6.35)(6.41) 7H046RB4.3 聚 3(J1)

TEMWELL CORPORATION

# Performance-TT63938B-1457M

## 201901057CD

▶ Tr1 S11 Log Mag 5.000dB/ Ref 0.000dB [F2]  
Tr2 S21 Log Mag 10.00dB/ Ref 0.000dB [F2]



1 Center 1.457 GHz

IFBW 70 kHz

Span 200 MHz Cor !