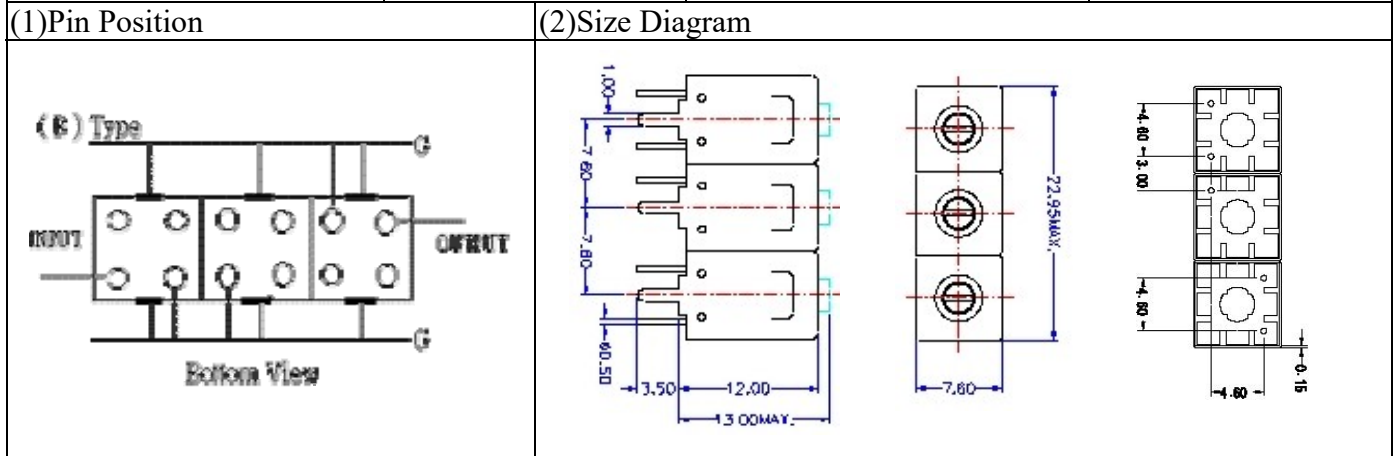


VHF UHF Helical Filter Specification Sheet

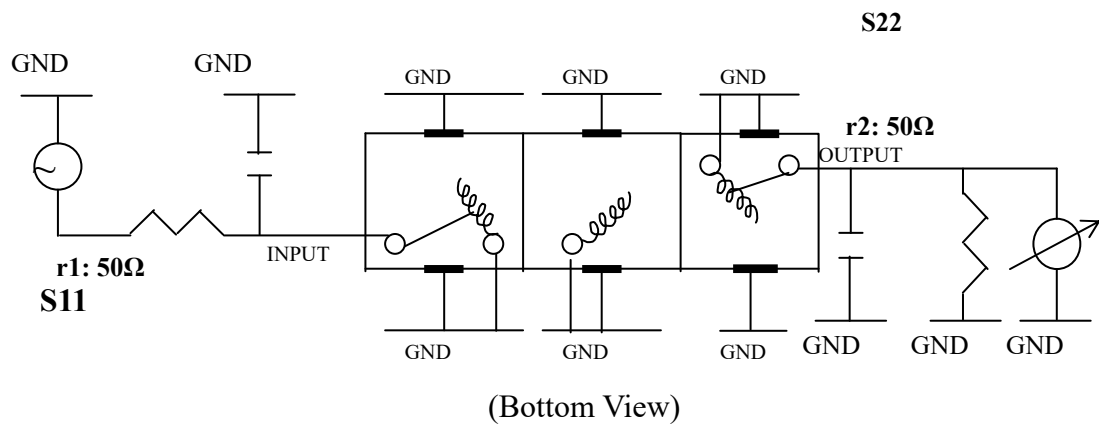
Customer Name		Temwell's Part No.	TT63943B-1455.4M
Approval No. /dated	201901062CD	Temwell's Print name.	63943B 1455.4M
Work Instruction No.	201901062CD	Date	Mar.13.2019



(3) Electric Characteristic			
Item	Specify	Performance	
Center Freq.(Fo) +/- 0.5 %	1455.4 MHz	1455.4 MHz	
Insertion Loss	Typ. 5.5 dB	4.67 dB	
-3 dB Bandwidth	Typ. 15 MHz	21.3 MHz	
Sensitivity (Attenuation)	Fo - 50 MHz	Typ. 25 dBc	30 dBc
	Fo + 50 MHz	Typ. 19 dBc	24 dBc
	Fo - () MHz	Typ. dBc	dBc
	Fo + () MHz	Typ. dBc	dBc
Return Loss	Min. 12 dB	18.4 dB	
Ripple	< 1 dB	dB	
Impedance	In / Out : 50 Ω	In / Out : 50 Ω	
(4) Torque for Tuning Screw	> 60gf • cm		

(5) Temperature Condition:	
Operating Temperature	0°C ~ +60°C
Storage Temperature	-20°C ~ +70°C
(6) Input Power	> 1Watt

(7) Measuring Circuit: ※Easy to match Impedance S11/S22 50Ω by parallel with about (--) .



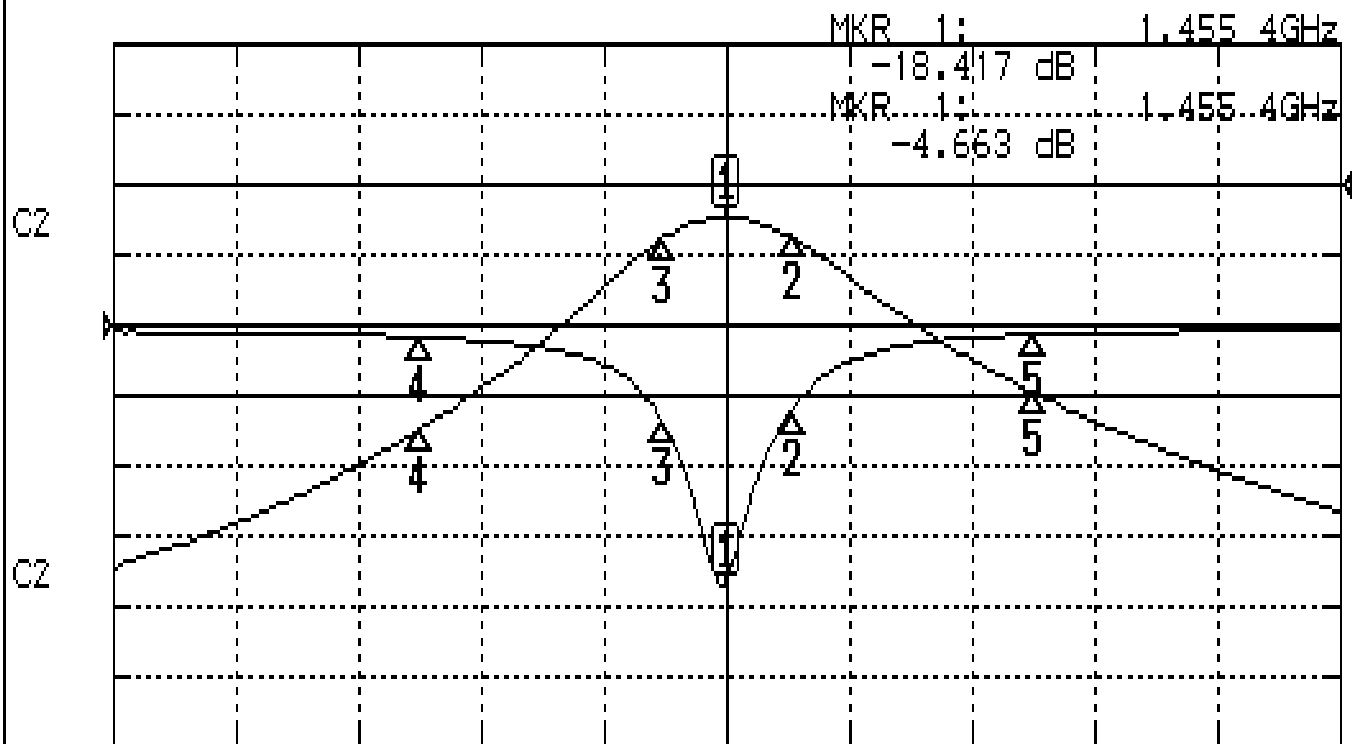
Approval	Supervisor	Designer	Aperture size
C.Y.Chang	C.K.Chang	C.H.Yeh	7H3S(4*4.65)(4.75) 7H046RB4.3 聚 3(J1)

TEMWELL CORPORATION

Performance-TT63943B-1455.4M

201901062CD

CH1 S11 LOG MAG REF 0.000 dB 5.000 dB/
CH2 S21 LOG MAG REF 0.000 dB 10.000 dB/



CENTER 1.455 4GHz

[10.00 dBm]

SPAN 200MHz

CH1 MARKER LIST

Marker	Freq (GHz)	Mag (dB)
1	1.455	-18.417
2	1.466	-5.948
3	1.444	-6.731
4	1.405	-0.836
5	1.505	-0.649

CH2 MARKER LIST

Marker	Freq (GHz)	Mag (dB)
1	1.455	-4.672
2	1.466	-7.682
3	1.444	-7.633
4	1.405	-34.878
5	1.505	-29.595