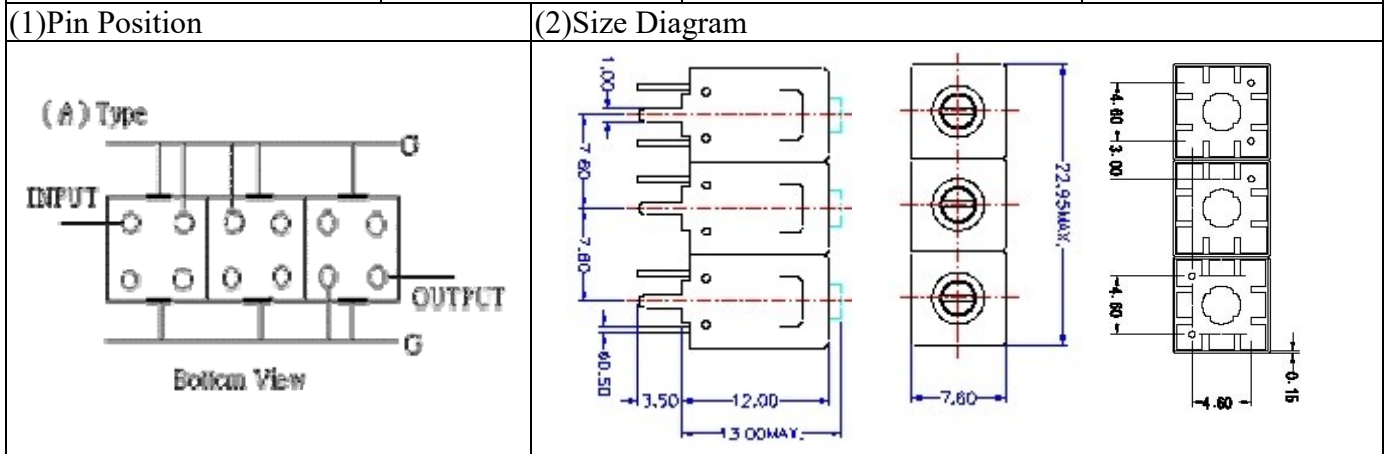


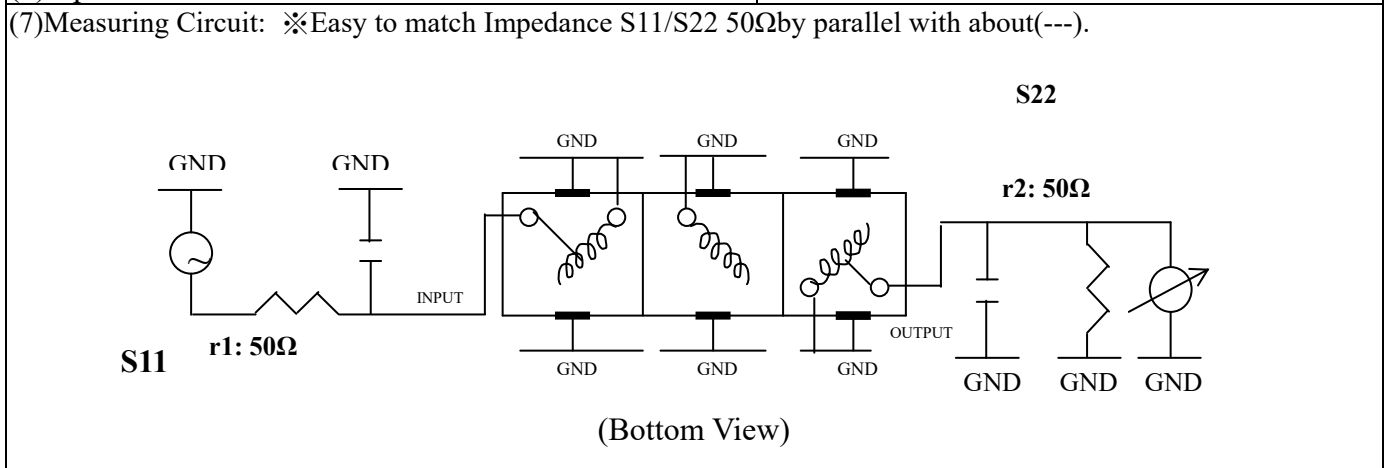
# VHF UHF Helical Filter Specification Sheet

Customer Name		Temwell's Part No.	TT63944A-897.5M
Approval No. /dated	201901087CD	Customer's Print Name.	63944A 897.5M
Work Instruction No.	201901087CD	Date	Feb.21.2019



(3) Electric Chararistic		Specify	Performance
Center Freq.(Fo) +/- 0.5 %		897.5 MHz	897.5 MHz
Insertion Loss		Typ. 3.0 dB	2.27 dB
-3 dB Bandwidth		Typ. 35 MHz	36.0 MHz
Sensitivity (Attenuation)	Fo - 100 MHz	Typ. 55 dBc	60 dBc
	Fo + 100 MHz	Typ. 30 dBc	35 dBc
	Fo - ( )MHz	Typ. dBc	dBc
	Fo +( )MHz	Typ. dBc	dBc
Return Loss		Min. 12 dB	17.4 dB
Ripple		< 1 dB	dB
Impedance		In / Out : 50 Ω	In / Out : 50 Ω
(4) Torque for Tuning Screw		> 60gf · cm	

(5) Temperature Condition:	
Operating Temperature	-0°C ~ +60°C
Storage Temperature	-20°C ~ +70°C
(6) Input Power	> 1Watt



Approval	Supervisor	Designer	Aperture size
C.Y.Chang	C.K.Chang	P.H.Chiang	7H3S(4*5.35)(5.39) 7H046LB4.3 聚 3/7H046LB5

TEMWELL CORPORATION

# Performance-TT63944A-897.5M

## 201901087CD

