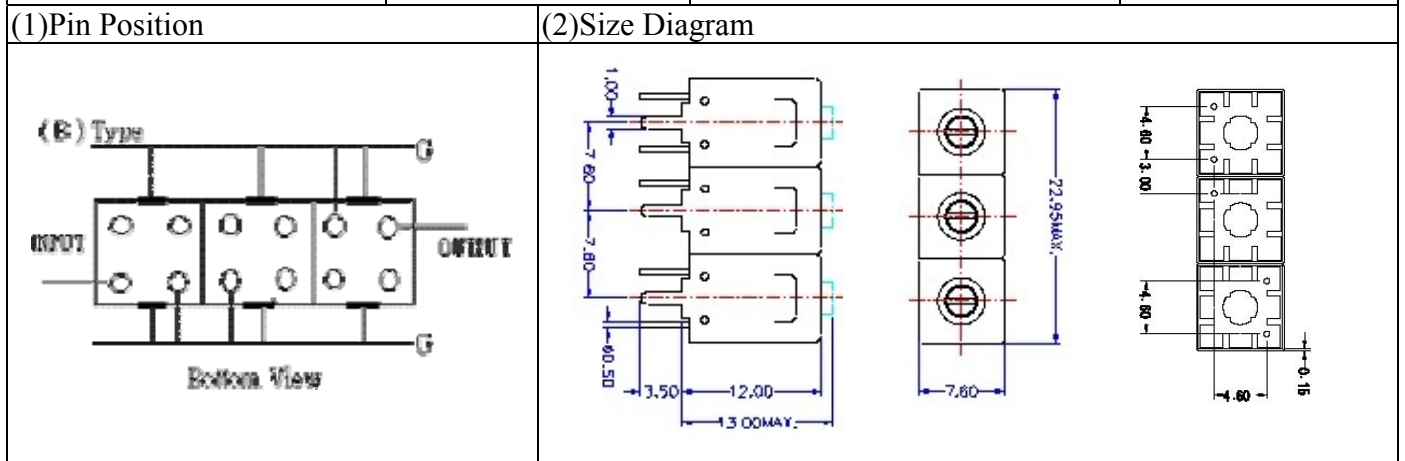


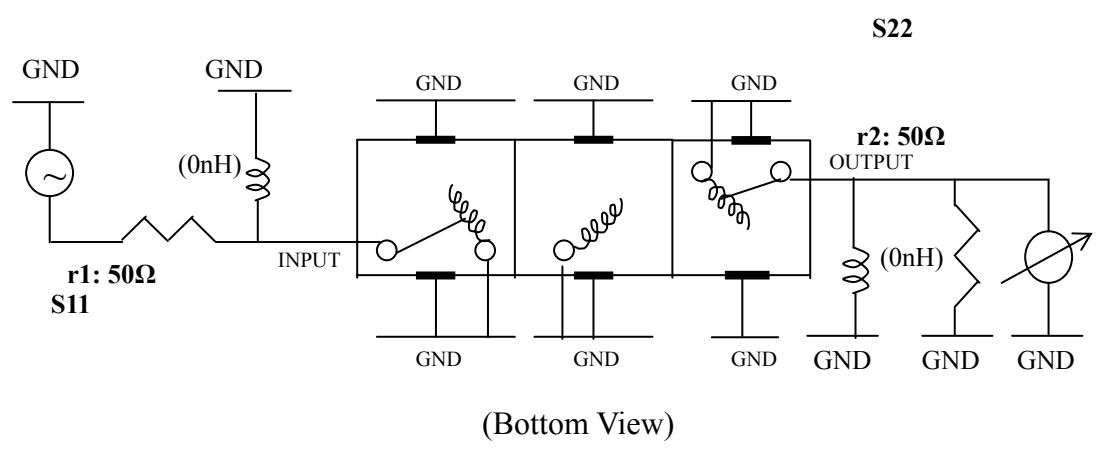
# VHF UHF Helical Filter Specification Sheet

Customer Name		Temwell's Part No.	TT6396B-477.5M
Approval No. /dated	0706026DC	Acceptable Specify Fo Range	456~515MHz
Work Instruction No.	0706026DC	Date	June.13.2007



(3) Electric Characteristic			
Item		Specify	Performance
Center Freq.(Fo) +/- 0.5 %		477.5 MHz	477.5 MHz
Tunable Range:		477.5±5 MHz	477.5±5 MHz
Insertion Loss		Typ. 2.5 dB	1.38 dB
-3 dB Bandwidth		Typ. 24 MHz	28.1 MHz
Sensitivity (Attenuation)	Fo - 50 MHz	Typ. 35 dBc	38 dBc
	Fo + 50 MHz	Typ. 25 dBc	28 dBc
	Fo - ( )MHz	Typ. dBc	dBc
	Fo +( )MHz	Typ. dBc	dBc
Return Loss		Min. 12 dB	20.7 dB
Ripple		< 1 dB	dB
Impedance		In / Out : 50 Ω	In / Out : 50 Ω
(4) Torque for Tuning Screw		> 100gf · cm	
(5) Temperature Condition:			
Operating Temperature		0°C ~ +60°C	
Storage Temperature		-20°C ~ +70°C	
(6) Input Power		> 1Watt	

(7) Measuring Circuit: ※Easy to match Impedance S11/S22 50Ω by parallel with about(0nH) / (0nH).

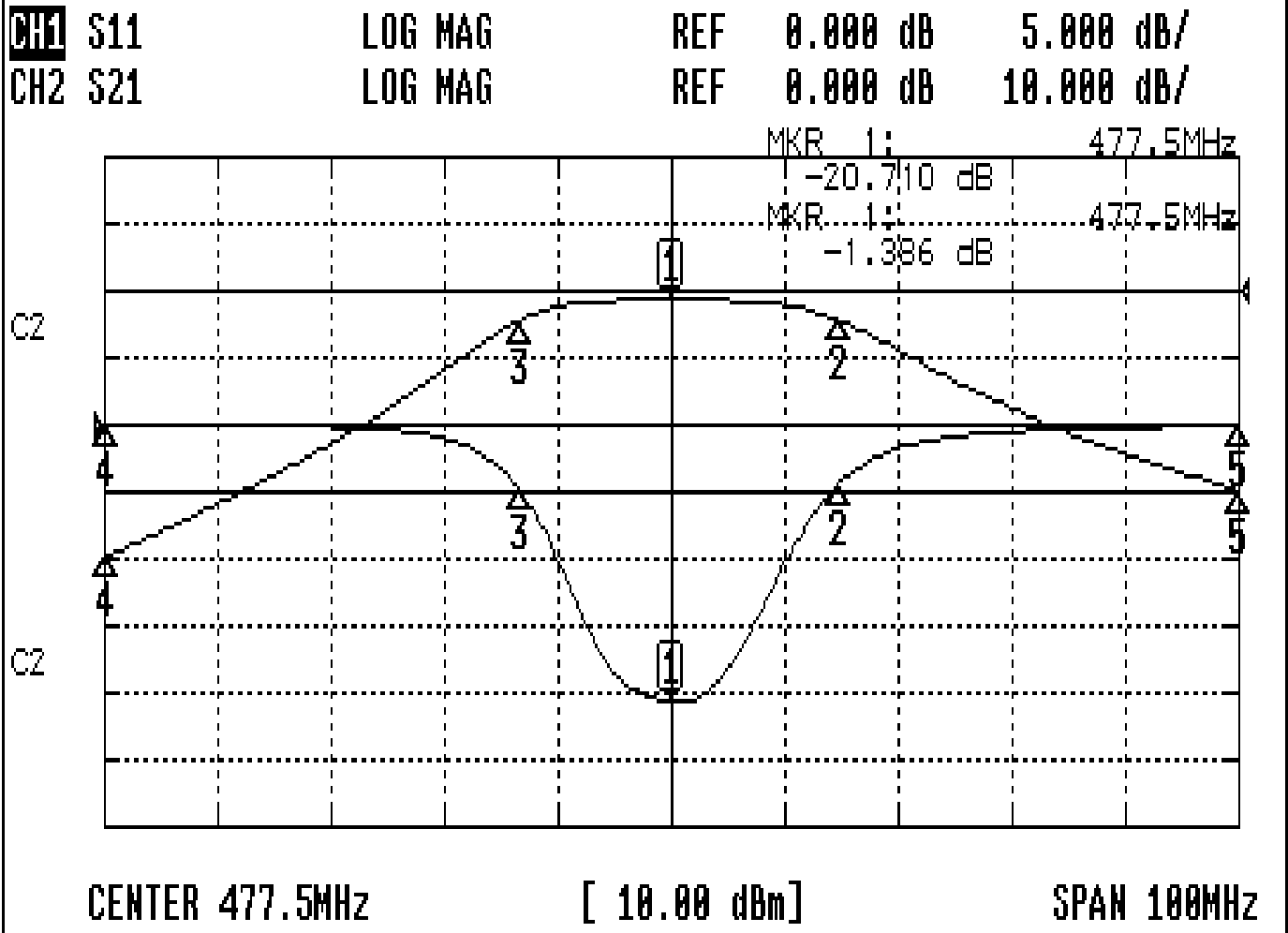


Approval	Supervisor	Designer	Aperture size
C.Y.Chang	C.S.Chang	Y.H.Yeh	7H3S(4*8.0)(8.01)F 7H046LB4 聚 3

TEMWELL CORPORATION

# Performance-TT6396B-477.5M

## 0706026DC



### CH1 MARKER LIST

Marker	Frequency (MHz)	Value (dB)
1	477.500	-20.723
2	492.250	-4.463
3	464.166	-4.778
4	427.500	0.072
5	527.500	-0.082

### CH2 MARKER LIST

Marker	Frequency (MHz)	Value (dB)
1	477.500	-1.386
2	492.250	-4.358
3	464.166	-4.347
4	427.500	-39.668
5	527.500	-29.709