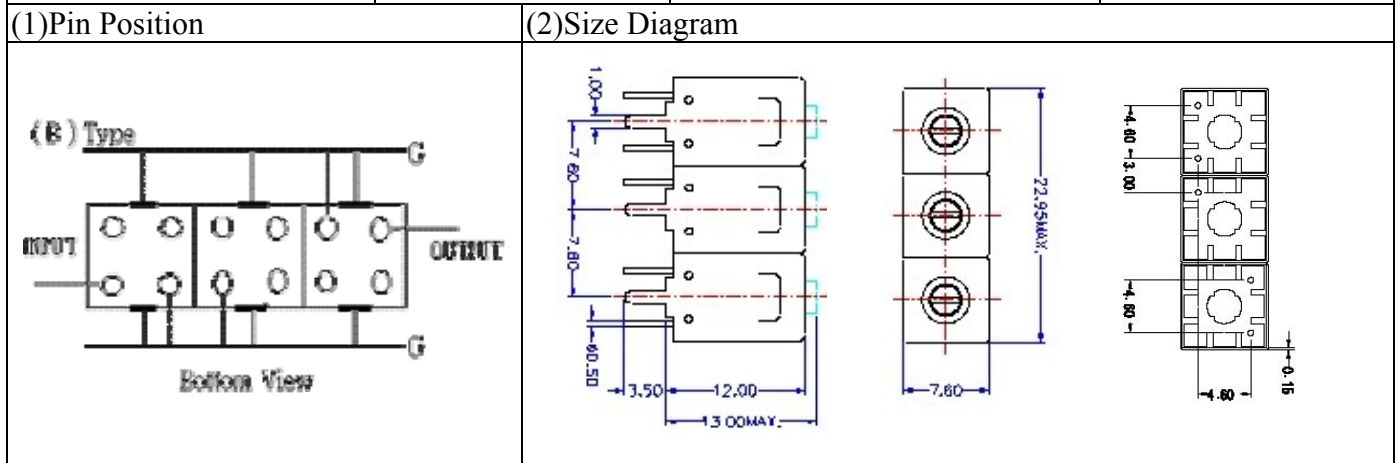


VHF UHF Helical Filter Specification Sheet

Customer Name		Temwell's Part No.	TT6398B-397M
Approval No. /dated	0711074APR	Acceptable Specify Fo. Range	356~400MHz
Work Instruction No.	0711074B	Date	Nov.30.2007



(3) Electric Characteristic

Item	Specify	Performance
Center Freq.(Fo) +/- 0.5 %	397 MHz	397 MHz
Tunable Range:	397±4 MHz	397±4 MHz
Insertion Loss	Typ. 2.0 dB	0.80 dB
-3 dB Bandwidth	Typ. 57 MHz	60 MHz
Sensitivity (Attenuation)	Fo - 100 MHz	Typ. 34 dBc
	Fo + 100 MHz	Typ. 20 dBc
	Fo - ()MHz	Typ. dBc
	Fo + ()MHz	Typ. dBc
Return Loss	Min. 12 dB	22.0 dB
Ripple	< 1 dB	dB
Impedance	In / Out : 50 Ω	In / Out : 50 Ω

(4) Torque for Tuning Screw

(4) Torque for Tuning Screw	> 100gf · cm
-----------------------------	--------------

(5) Temperature Condition:

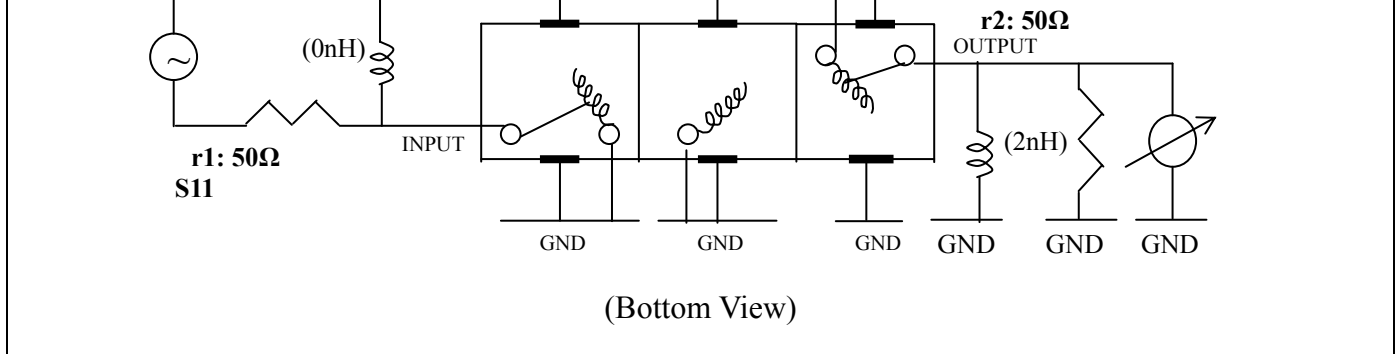
Operating Temperature	0°C ~ +60°C
-----------------------	-------------

Storage Temperature	-20°C ~ +70°C
---------------------	---------------

(6) Input Power

(6) Input Power	> 1Watt
-----------------	---------

(7) Measuring Circuit: ※Easy to match Impedance S11/S22 50Ω by parallel with about(0nH) / (2nH).

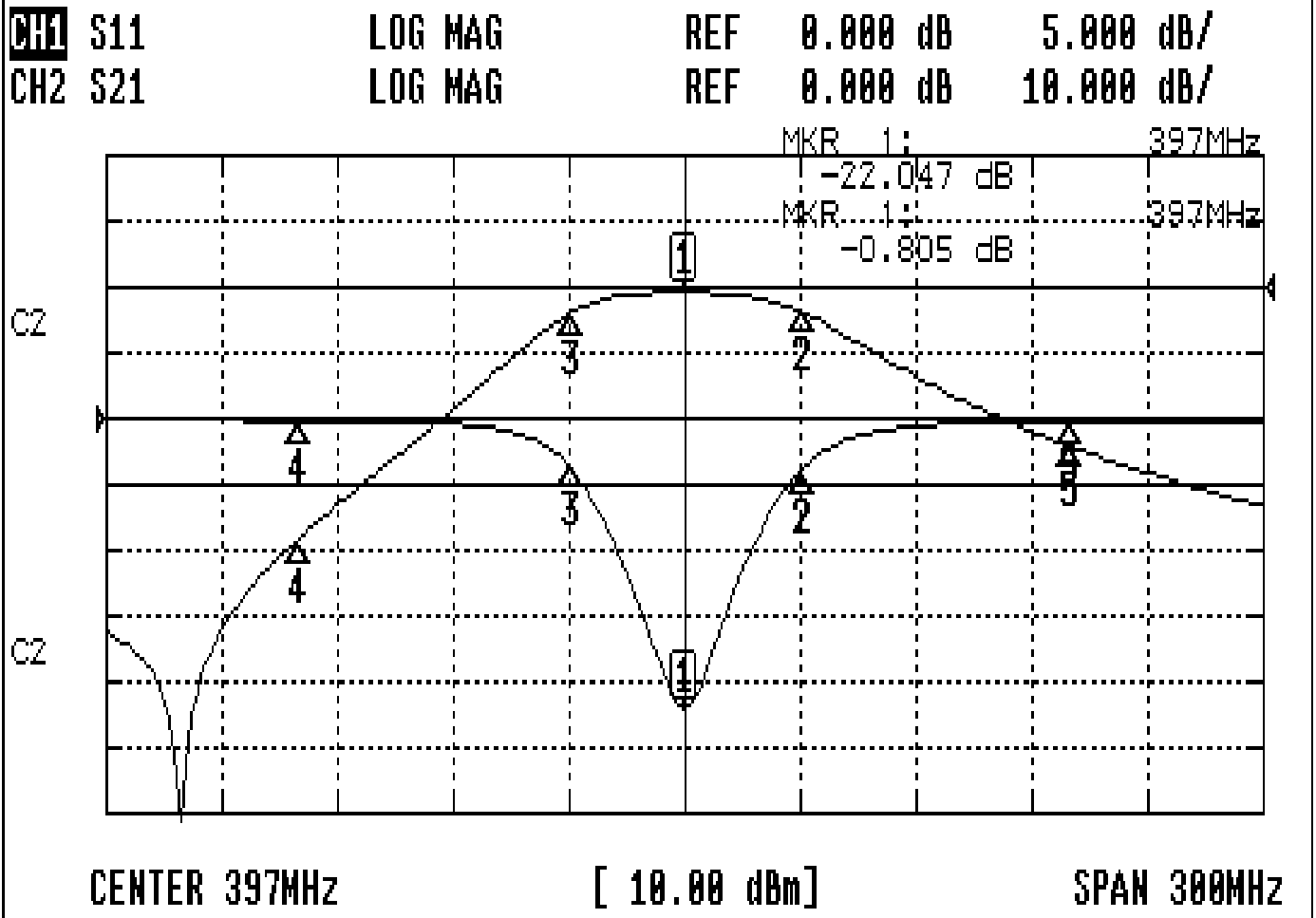


Approval	Supervisor	Designer	Aperture size
C.Y.Chang	C.S.Chang	P.H.Chiang	7H3(4*6.5)F 7H046RB6.5

TEMWELL CORPORATION

Performance-TT6398B-397M

0711074B



CH1 MARKER LIST

1	397.000MHz	-22.047	dB
2	427.500MHz	-1.000	dB
3	367.500MHz	-1.000	dB
4	297.000MHz	-0.166	dB
5	497.000MHz	-0.197	dB

CH2 MARKER LIST

1	397.000MHz	-0.805	dB
2	427.500MHz	-1.000	dB
3	367.500MHz	-1.000	dB
4	297.000MHz	-0.217	dB
5	497.000MHz	-24.200	dB