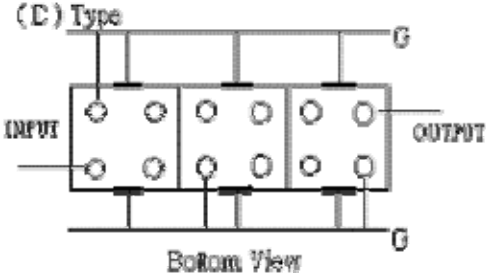
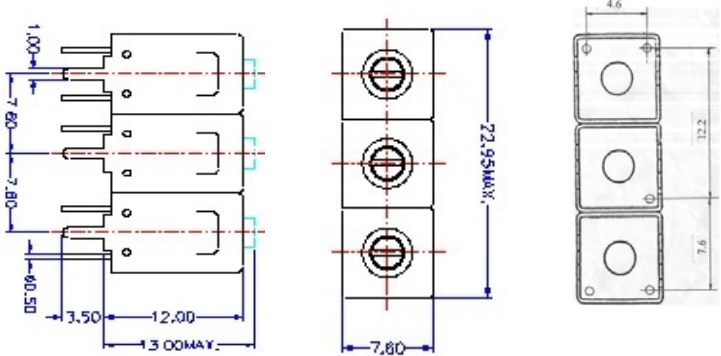


VHF UHF Helical Filter Specification Sheet

Customer Name		Temwell's Part No.	TT67102D-522M
Approval No. /dated	20202050B	Acceptable Specify Fo Range	516~555MHz
Work Instruction No.	20202050B	Date	Feb.21.2002

(1)Pin Position	(2)Size Diagram
 <p>(C) Type Bottom View</p>	

(3)Electric Charasteric

Item	Specify	Performance	
Center Freq.(Fo) +/- 0.5 %	522 MHz	522 MHz	
Tunable Range:	522±5 MHz	522±5 MHz	
Insertion Loss	Typ. 3.5 dB	2.68 dB	
-3 dB Bandwidth	Typ. 10 MHz	14 MHz	
Sensitivity (Attenuation)	Fo - 50 MHz	Typ. 53 dBc	67 dBc
	Fo + 50 MHz	Typ. 36 dBc	44 dBc
	Fo - ()MHz	Typ. dBc	dBc
	Fo +()MHz	Typ. dBc	dBc
Return Loss	Min. 12 dB	33.7 dB	
Ripple	< 1 dB	dB	
Impedance	In / Out : 50 Ω	In / Out : 50 Ω	

(4)Torque for Tuning Screw	> 100gf • cm
----------------------------	--------------

(5)Temperature Condition:

Operating Temperature	0°C ~ +60°C
Storage Temperature	-20°C ~ +70°C

(6)Input Power	> 1Watt
----------------	---------

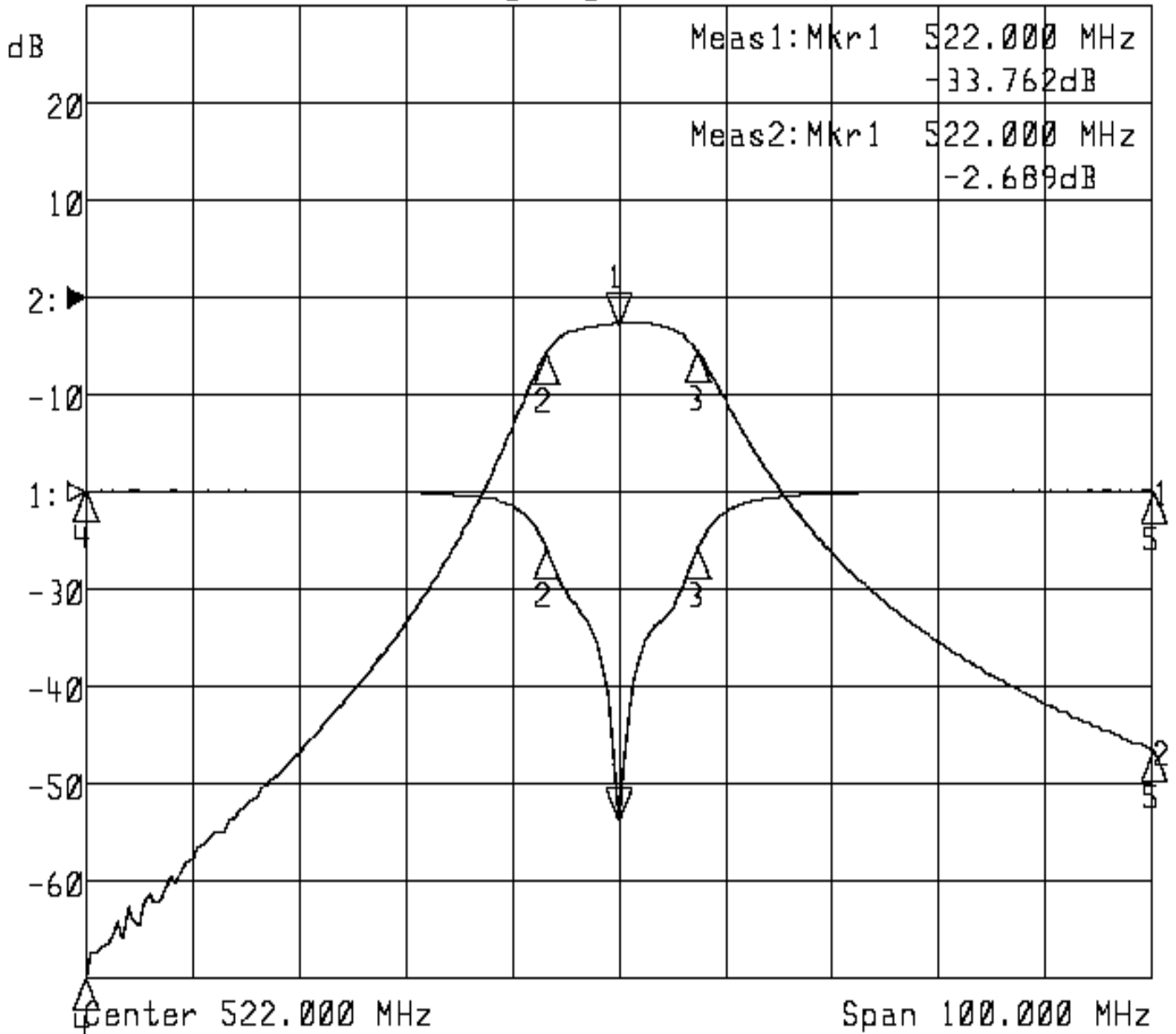
Approval	Supervisor	Designer	Aperture size
C.Y.Chang	C.S.Chang	C.S.Chang	7H3S(4*5.5)F 7H046LB4 聚 3

TEMWELL CORPORATION

Performance-TT67102D-522M

20202050B

▷1:S11 Refl Port1 Log Mag 10.0 dB/ Ref 0.00 dB C
▶2:S21 Fwd Trans Log Mag 10.0 dB/ Ref 0.00 dB C



1:Mkr (MHz)	dB	2:Mkr (MHz)	dB
1> 522.0000	-33.762	1> 522.0000	-2.689
2: 515.2333	-5.745	2: 515.2333	-5.669
3: 529.4667	-5.651	3: 529.4667	-5.612
4: 472.0333	0.179	4: 472.0333	-69.980
5: 572.0000	0.121	5: 572.0000	-46.506