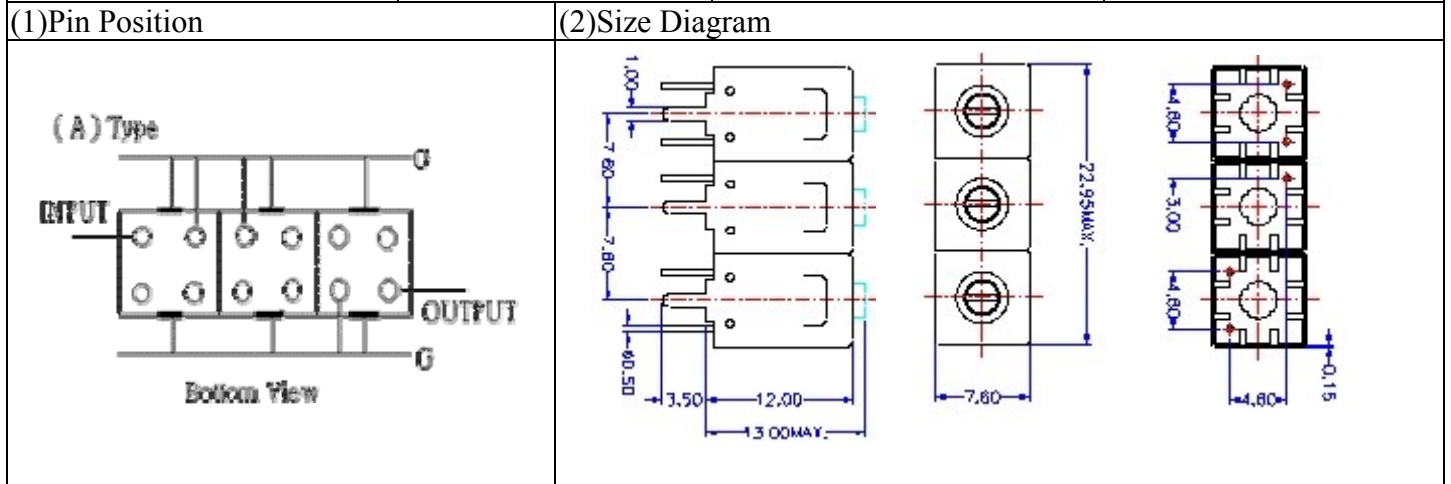


VHF UHF Helical Filter Specification Sheet

Customer Name		Temwell's Part No.	TT67112A1-622M
Approval No. /dated	20212004B	Temwell's print name	596~640MH
Work Instruction No.	20212004B	Date	2002.12.05



(3) Electric Character

Item	Specify	Performance	
Center Freq.(Fo) +/- 0.75 %	622 MHz	622 MHz	
Tunable Range	622±5 MHz	622±5 MHz	
Insertion Loss	Typ. 4.0 dB	3.37 dB	
-3dB Bandwidth	Typ. 9 MHz	13 MHz	
Sensitivity (Attenuation)	Fo - 40 MHz	Typ. 50 dBc	54 dBc
	Fo + 40 MHz	Typ. 43 dBc	44 dBc
	Fo - ()MHz	Typ. dBc	dBc
	Fo +()MHz	Typ. dBc	dBc
Return Loss	Min. 12 dB	17.5 dB	
Ripple	< 1 dB	dB	
Impedance	In / Out : 50 Ω	In / Out : 50 Ω	

(4) Torque for Tuning Screw > 100gf · cm

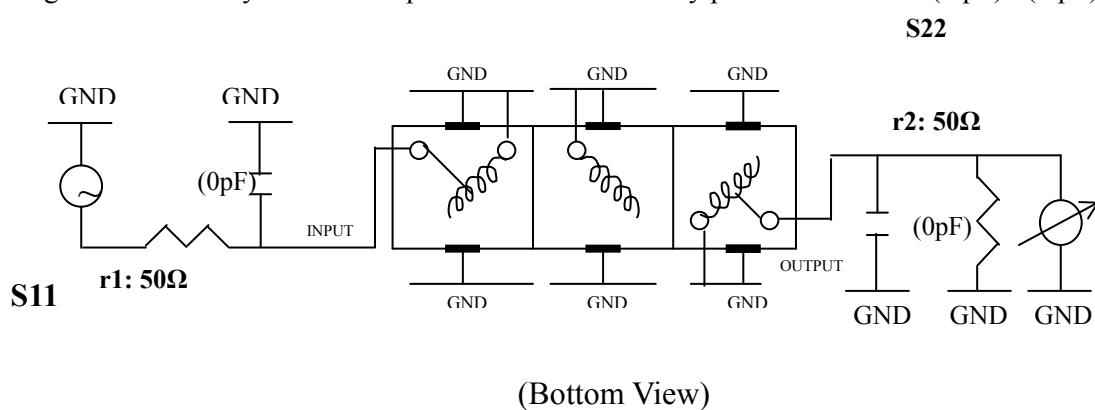
(5) Temperature Condition:

Operating Temperature 0°C ~ +60°C

Storage Temperature -20°C ~ +70°C

(6) Input Power > 1Watt

(7) Measuring Circuit: ※Easy to match Impedance S11/S22 50Ω by parallel with about(0 pF) / (0 pF).



Approval	Supervisor	Designer	Aperture size
C.Y.Chang	C.S.Chang	C.S.Chang	7H3S(4*5.5)F 7H046LB4 聚 3

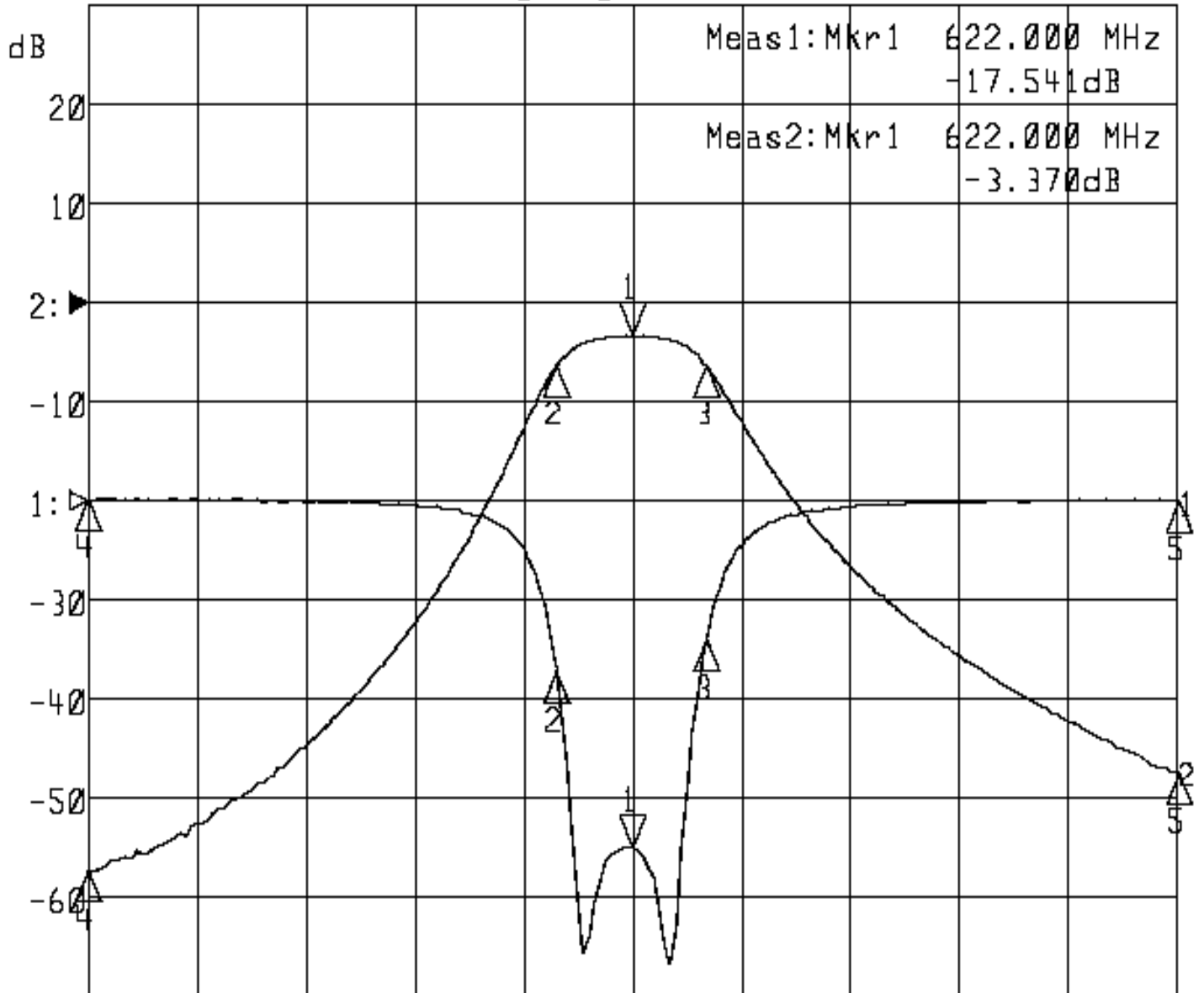
TEMWELL CORPORATION

Performance-TT67112A1-622M

20212004B

▶1:S11 Refl Port1 Log Mag 5.0 dB/ Ref 0.00 dB C

▶2:S21 Fwd Trans Log Mag 10.0 dB/ Ref 0.00 dB C



Center 622.000 MHz

Span 100.000 MHz

1:Mkr (MHz)	dB	2:Mkr (MHz)	dB
1> 622.0000	-17.541	1> 622.0000	-3.370
2: 615.0333	-8.569	2: 615.0333	-6.334
3: 628.7667	-7.053	3: 628.7667	-6.329
4: 572.0000	0.069	4: 572.0000	-57.139
5: 672.0000	-0.015	5: 672.0000	-47.462