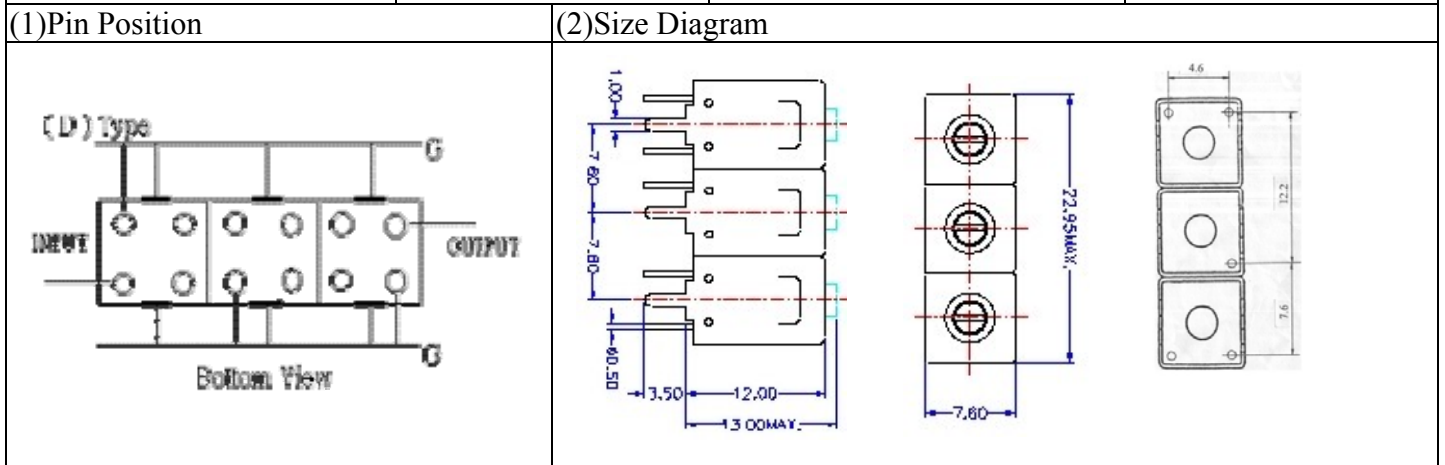


VHF UHF Helical Filter Specification Sheet

Customer Name		Temwell's Part No.	TT67129D-725M
Approval No. /dated	2002002B	Acceptable Specify Fo Range	701~750MHZ
Work Instruction No.	2002002B	Date	Sep.14.2006

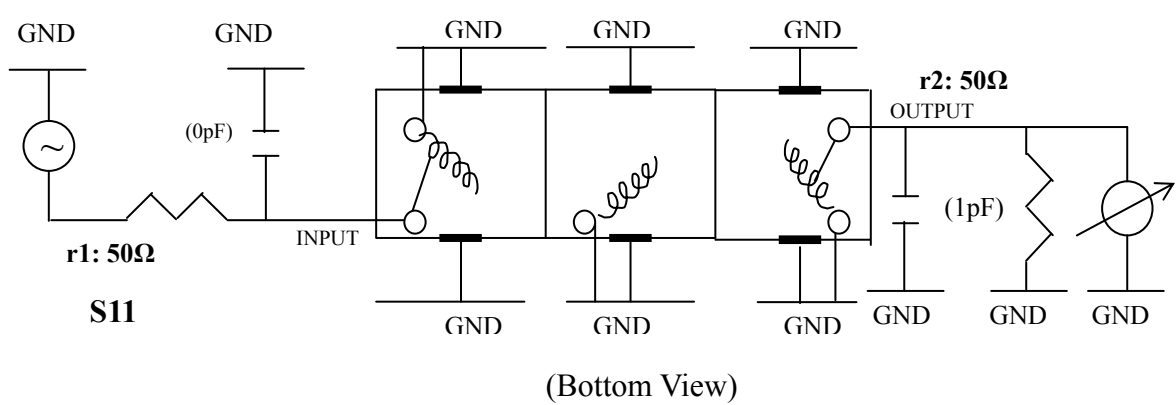


(3) Electric Character			
Item		Specify	Performance
Center Freq.(Fo) +/- 0.5 %		725 MHz	725 MHz
Tunable Range		725±5 MHz	725±5 MHz
Insertion Loss		Typ. 4.5 dB	3.69 dB
-3 dB Bandwidth		Typ. 10 MHz	15.9 MHz
Sensitivity (Attenuation)	Fo - 21 MHz	Typ. 25 dBc	27 dBc
	Fo + 21 MHz	Typ. 20 dBc	22 dBc
	Fo - ()MHz	Typ. dBc	dBc
	Fo +()MHz	Typ. dBc	dBc
Return Loss		Min. 12 dB	30.0 dB
Ripple		< 1 dB	dB
Impedance		In / Out : 50 Ω	In / Out : 50 Ω
(4) Torque for Tuning Screw		> 100gf · cm	

(5) Temperature Condition:	
Operating Temperature	0°C ~ +60°C
Storage Temperature	-20°C ~ +70°C

(6) Input Power > 1 Watt

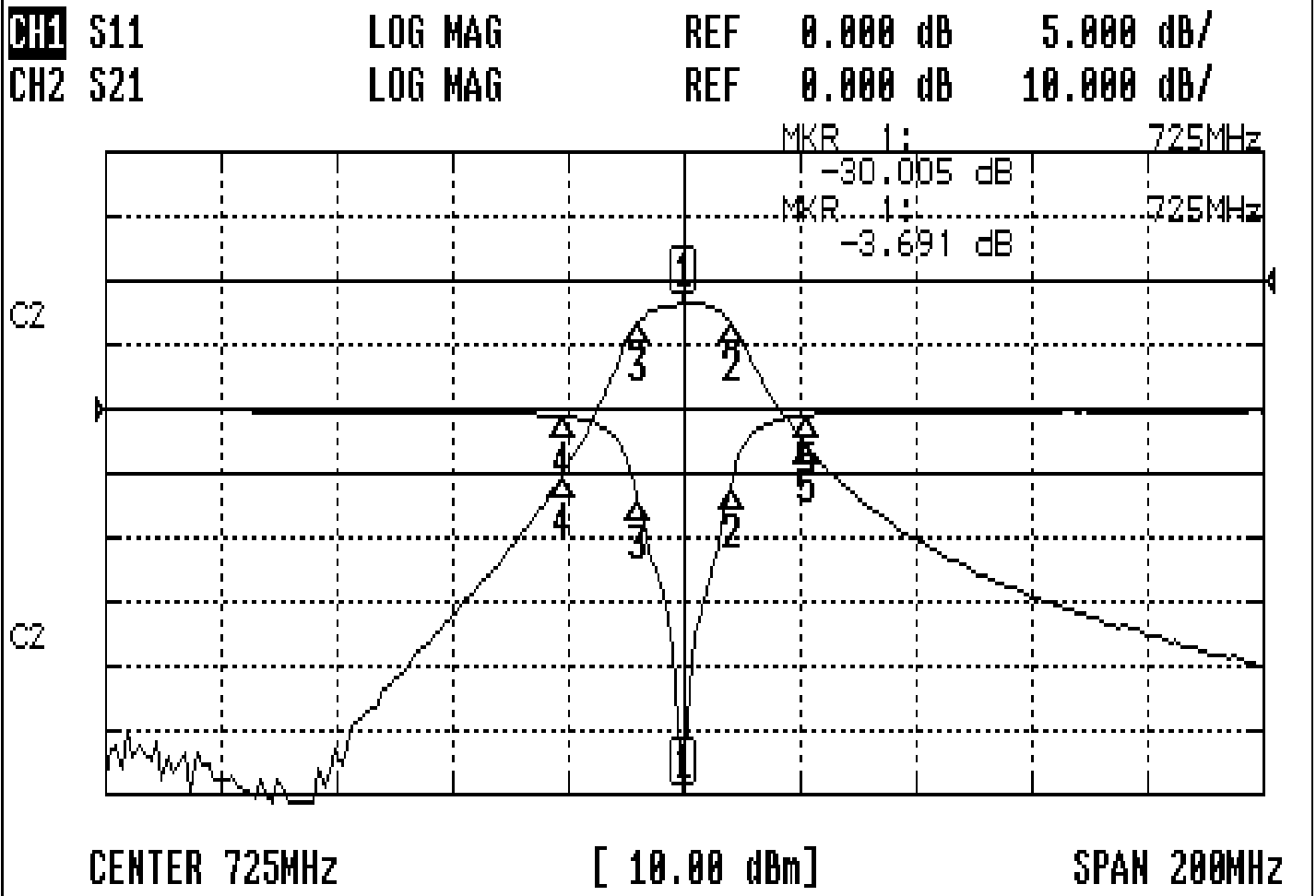
(7) Measuring Circuit: ※Easy to match Impedance S11/S22 50Ω, by parallel with about(0 pF) / (1 pF).
S22



Approval	Supervisor	Designer	Aperture size
C.Y.Chang	C.S.Chang	P.H.Chiang	7H3(4*4.5)(4.58) 7H046LB4 聚 3

Performance-TT67129D-725M

2002002B



CH1 MARKER LIST

1:	725.000MHz	-30.005	dB
2:	733.000MHz	-6.090	dB
3:	717.166MHz	-7.123	dB
4:	704.000MHz	-0.596	dB
5:	746.000MHz	-0.501	dB

CH2 MARKER LIST

1:	725.000MHz	-3.691	dB
2:	733.000MHz	-6.558	dB
3:	717.166MHz	-6.532	dB
4:	704.000MHz	-30.347	dB
5:	746.000MHz	-25.560	dB