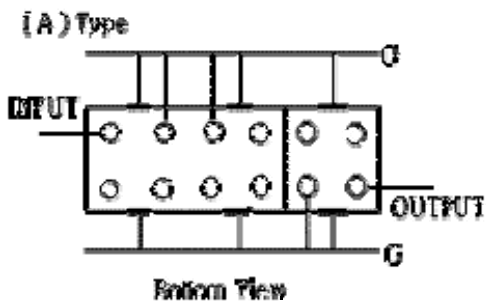
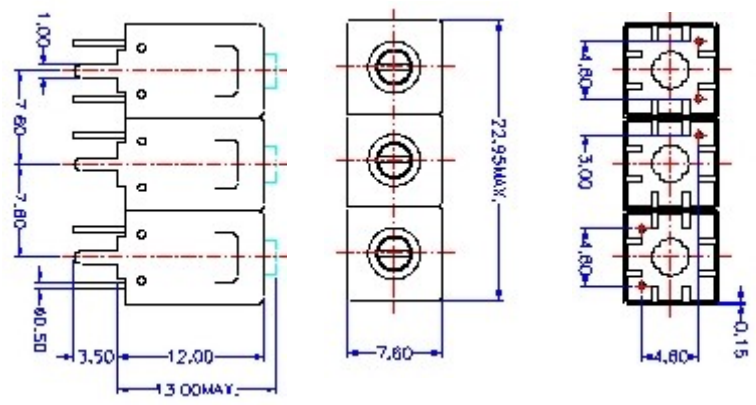


# VHF UHF Helical Filter Specification Sheet

Customer Name		Temwell's Part No.	TT67137A-960M
Approval No. /dated	2008046B	Acceptable Specify Fo. Range	951~975MHz
Work Instruction No.	2008046B	Date	Aug.08.2000

(1)Pin Position	(2)Size Diagram
 <p>(A) Type Front View</p>	

(3)Electric Character			
Item		Specify	Performance
Center Freq.(Fo ) +/- 0.5 %		960 MHz	960 MHz
Tunable Range		960±10 MHz	960±10 MHz
Insertion Loss		Typ. 4.5 dB	3.4 dB
-3 dB Bandwidth		Typ. 13 MHz	18 MHz
Sensitivity (Attenuation )	Fo - 30 MHz	Typ. 29 dBc	32 dBc
	Fo + 30 MHz	Typ. 22 dBc	25 dBc
	Fo - ( ) MHz	Typ. dBc	dBc
	Fo + ( ) MHz	Typ. dBc	dBc
Return Loss		Min. 12 dB	29.7 dB
Ripple		< 1 dB	1 dB
Impedance		In / Out : 50 Ω	In / Out : 50 Ω

(4)Torque for Tuning Screw	> 100gf • cm
----------------------------	--------------

(5)Temperature Condition:	
Operating Temperature	0°C ~ +60°C
Storage Temperature	-20°C ~ +70°C

(6)Input Power	> 1Watt
----------------	---------

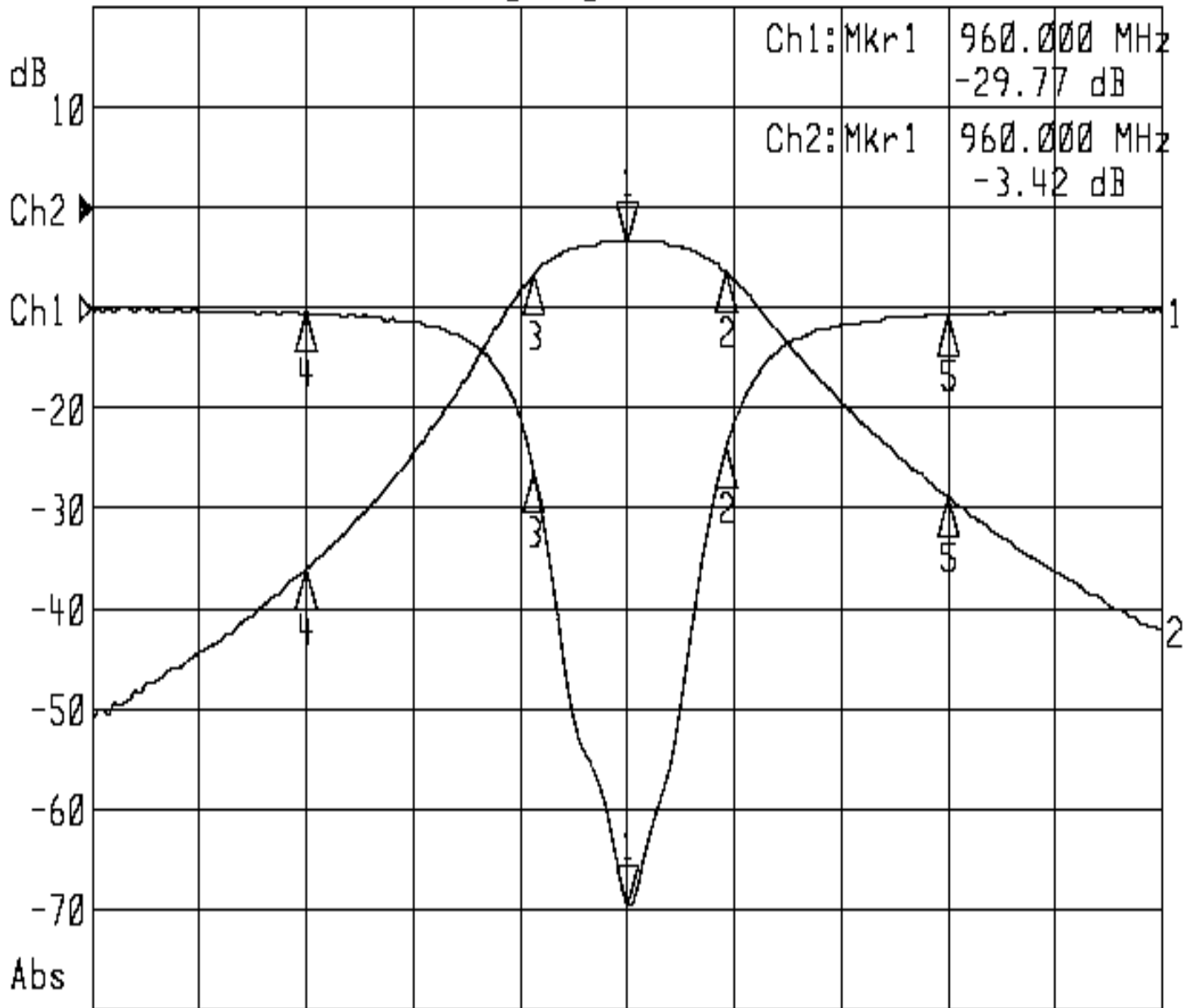
Approval	Supervisor	Designer	Aperture size
C.Y. Chang	C.S. Chang	C.S. Chang	7H3S, (4*4.65)F 7H046LB4 聚 3

TEMWELL CORPORATION

# Performance-TT67137A-960M

## 2008046B

▶1: Reflection      Log Mag    5.0 dB/    Ref    0.00 dB    C  
 ▶2: Transmission    Log Mag    10.0 dB/    Ref    0.00 dB    C



Center 960.000 MHz

Span 100.000 MHz

1: Mkr (MHz)	dB	2: Mkr (MHz)	dB
1> 960.00	-29.77	1> 960.00	-3.42
2: 969.30	-6.84	2: 969.30	-6.40
3: 951.27	-8.19	3: 951.27	-6.49
4: 930.00	-0.21	4: 930.00	-36.05
5: 990.00	-0.31	5: 990.00	-28.83