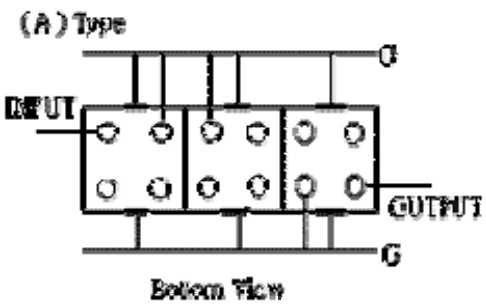
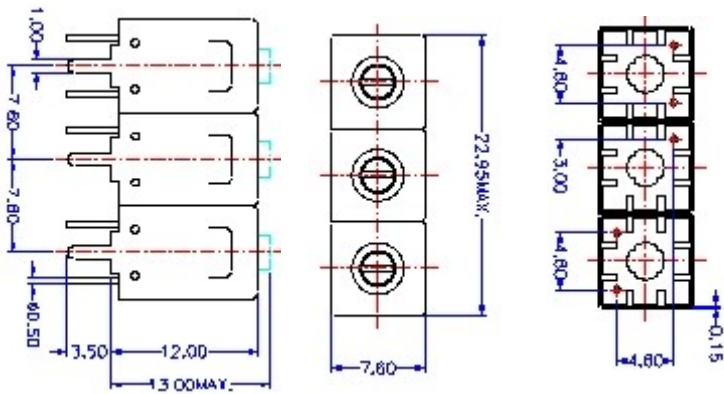


VHF UHF Helical Filter Specification Sheet

| | | | |
|----------------------|----------|------------------------------|---------------|
| Customer Name | | Temwell's Part No. | TT67138A-980M |
| Approval No. /dated | 2008047B | Acceptable Specify Fo. Range | 976~1000MHz |
| Work Instruction No. | 2008047B | Date | Aug.09.2000 |

| | |
|---|--|
| (1)Pin Position | (2)Size Diagram |
|  <p>(A) Type Bottom View</p> |  |

(3)Electric Character

| Item | Specify | Performance | |
|-------------------------------|-----------------|-----------------|--------|
| Center Freq.(Fo) +/- 0.5 % | 980 MHz | 980 MHz | |
| Tunable Range | 980±5 MHz | 980±5 MHz | |
| Insertion Loss | Typ. 5.0 dB | 4.2 dB | |
| -3 dB Bandwidth | Typ. 10 MHz | 18 MHz | |
| Sensitivity (Attenuation) | Fo - 30 MHz | Typ. 27 dBc | 29 dBc |
| | Fo + 30 MHz | Typ. 20 dBc | 23 dBc |
| | Fo - () MHz | Typ. dBc | dBc |
| | Fo + () MHz | Typ. dBc | dBc |
| Return Loss | Min. 12 dB | 18.1 dB | |
| Ripple | < 1 dB | dB | |
| Impedance | In / Out : 50 Ω | In / Out : 50 Ω | |

| | |
|----------------------------|--------------|
| (4)Torque for Tuning Screw | > 100gf • cm |
|----------------------------|--------------|

(5)Temperature Condition:

| | |
|-----------------------|---------------|
| Operating Temperature | 0°C ~ +60°C |
| Storage Temperature | -20°C ~ +70°C |

| | |
|----------------|---------|
| (6)Input Power | > 1Watt |
|----------------|---------|

| | | | |
|------------|------------|------------|---------------------------------|
| Approval | Supervisor | Designer | Aperture size |
| C.Y. Chang | C.S. Chang | C.S. Chang | 7H3S, (4*4.65)F 7H046LB4 聚 3 |

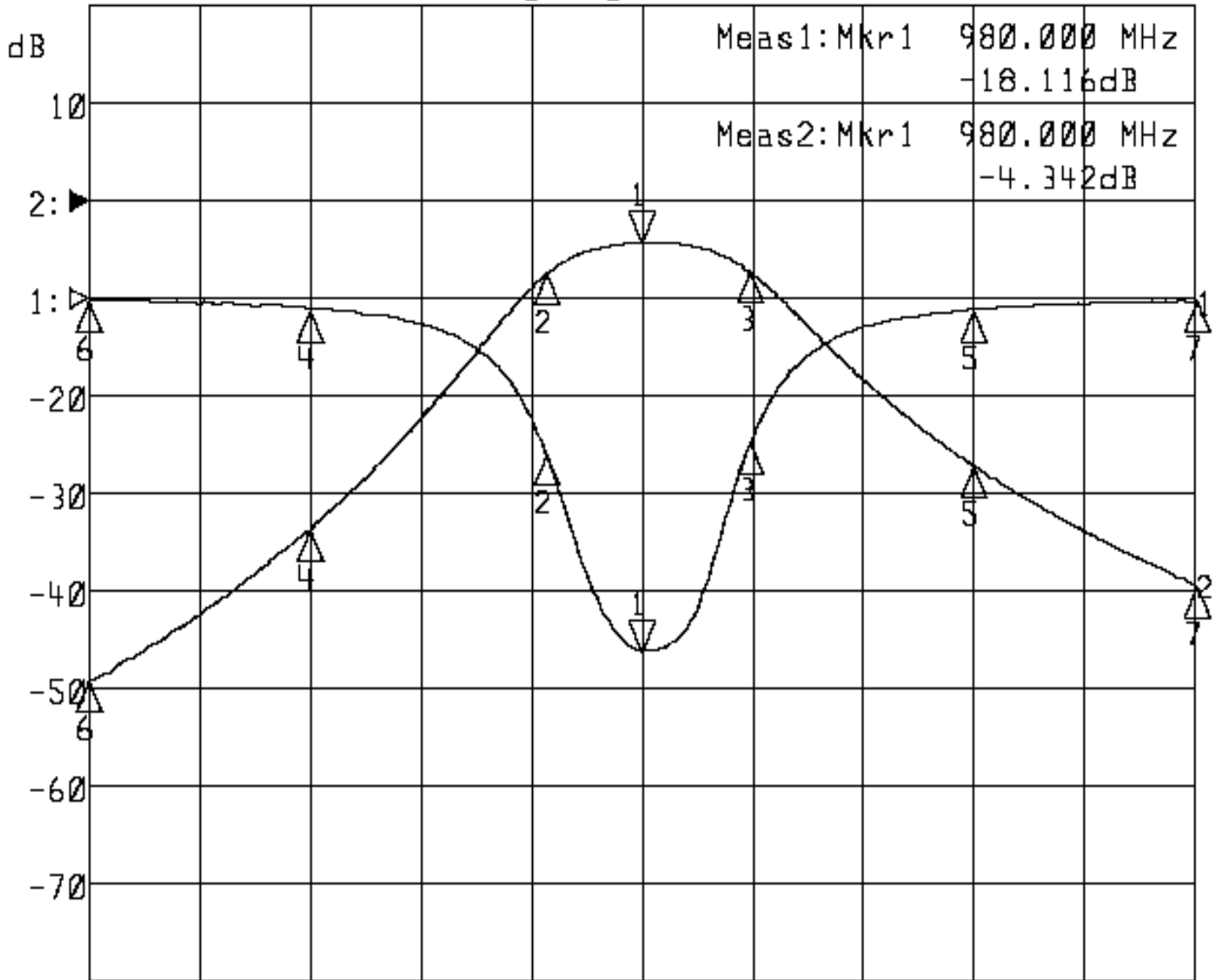
TEMWELL CORPORATION

Performance-TT67138A-980M

2008047B

▶1:S11 Refl Port1 Log Mag 5.0 dB/ Ref 0.00 dB C

▶2:S21 Fwd Trans Log Mag 10.0 dB/ Ref 0.00 dB C



Center 980.000 MHz

Span 100.000 MHz

| 1: Mkr (MHz) | dB | 2: Mkr (MHz) | dB |
|--------------|---------|--------------|---------|
| 1> 980.0000 | -18.116 | 1> 980.0000 | -4.342 |
| 2: 971.4000 | -8.006 | 2: 971.4000 | -7.485 |
| 3: 989.8667 | -7.372 | 3: 989.8667 | -7.352 |
| 4: 950.0000 | -0.569 | 4: 950.0000 | -33.737 |
| 5: 1010.0000 | -0.569 | 5: 1010.0000 | -27.143 |
| 6: 930.0000 | -0.086 | 6: 930.0000 | -49.220 |
| 7: 1030.0000 | -0.140 | 7: 1030.0000 | -39.377 |