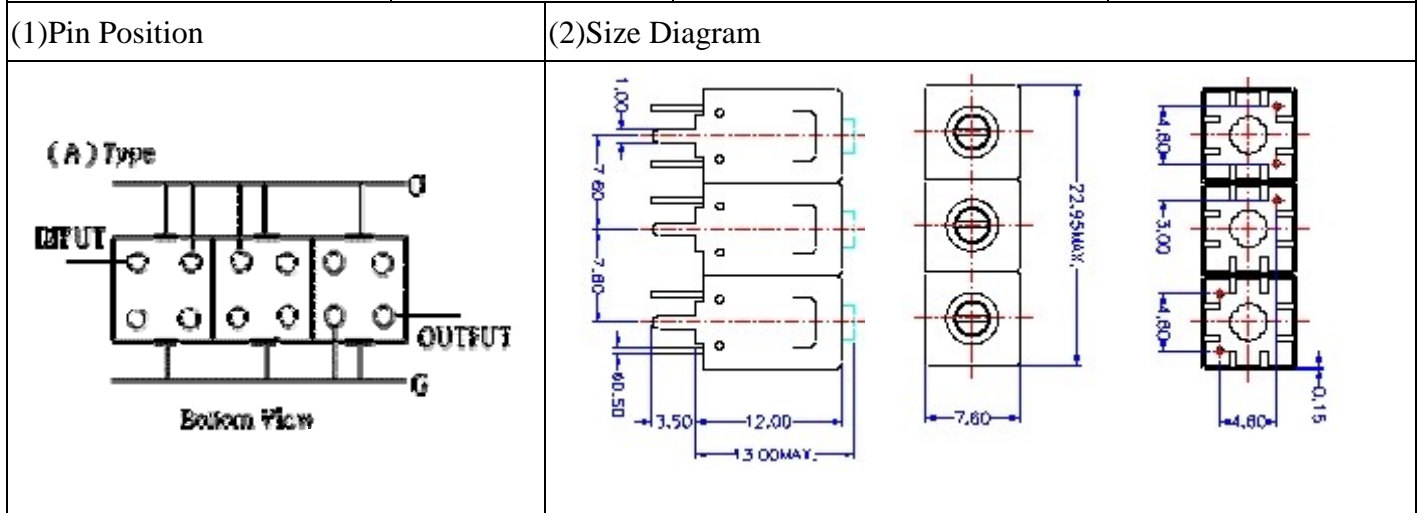


VHF UHF Helical Filter Specification Sheet

Customer Name		Temwell's Part No.	TT67149A-870M
Approval No. /dated	2008038B	Acceptable Specify Fo. Range	861~900MHz
Work Instruction No.	2008038B	Date	Aug.09.2000



(3) Electric Character

Item	Specify	Performance	
Center Freq.(Fo) +/- 0.5 %	870 MHz	870 MHz	
Tunable Range	870±10 MHz	870±10 MHz	
Insertion Loss	Typ. 7.0 dB	5.7 dB	
-3 dB Bandwidth	Typ. 5 MHz	10 MHz	
Sensitivity (Attenuation)	Fo - 30 MHz	Typ. 41 dBc	43 dBc
	Fo + 30 MHz	Typ. 31 dBc	33 dBc
	Fo - ()MHz	Typ. dBc	dBc
	Fo +()MHz	Typ. dBc	dBc
Return Loss	Min. 12 dB	18.4 dB	
Ripple	< 1 dB	dB	
Impedance	In / Out : 50 Ω	In / Out : 50 Ω	

(4) Torque for Tuning Screw > 100gf • cm

(5) Temperature Condition:

Operating Temperature	0°C ~ +60°C
Storage Temperature	-20°C ~ +70°C

(6) Input Power > 1Watt

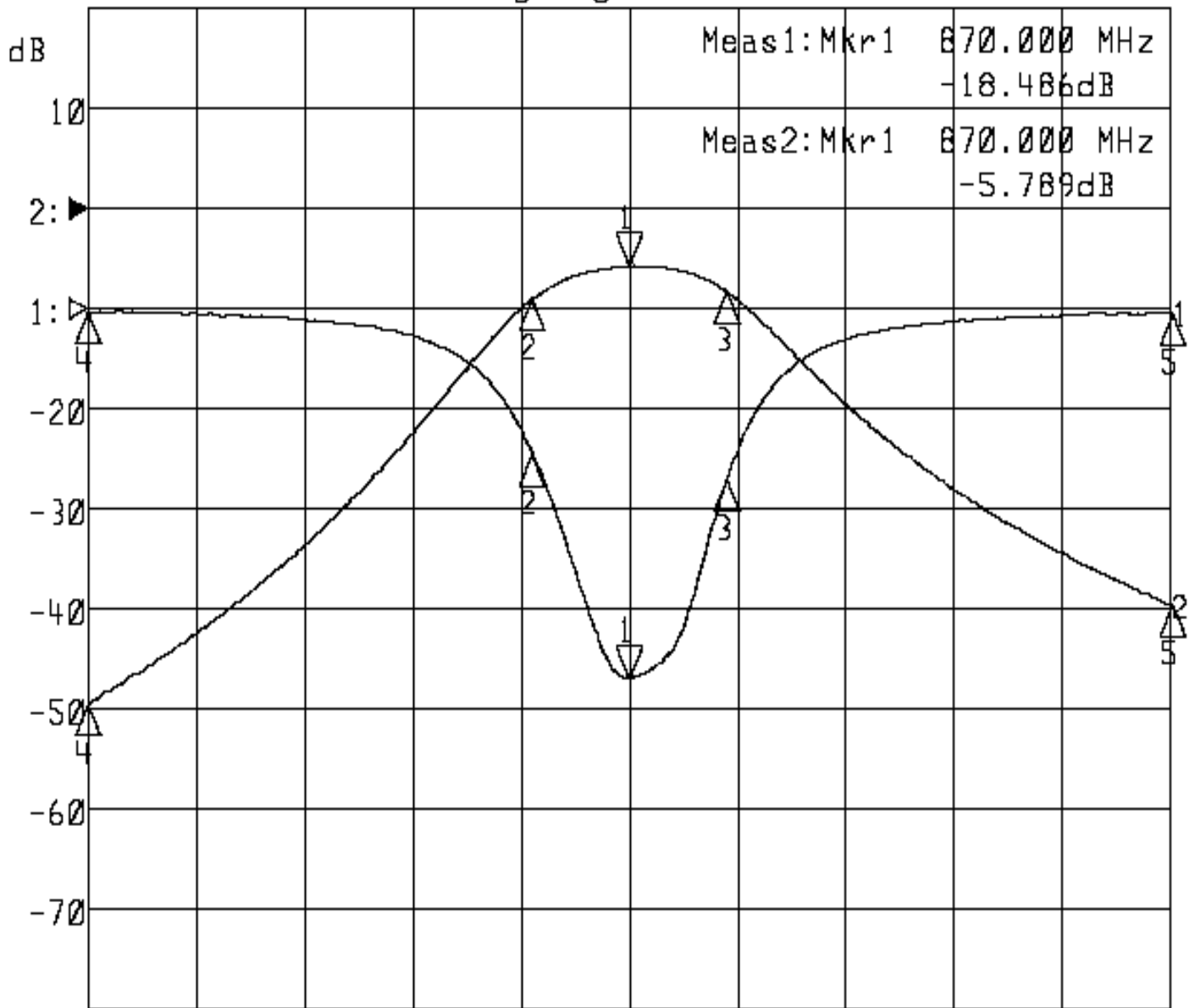
Approval	Supervisor	Designer	Aperture size
C.Y.Chang	C.S.Chang	C.S.Chang	7H3S(4*4.5) 7H046LB4 聚 3

TEMWELL CORPORATION

Performance-TT67149A-870M

2008038B

▶1:S11 Refl Port1 Log Mag 5.0 dB/ Ref 0.00 dB C
▶2:S21 Fwd Trans Log Mag 10.0 dB/ Ref 0.00 dB C



Center 870.000 MHz

Span 60.000 MHz

1: Mkr (MHz)	dB	2: Mkr (MHz)	dB
1> 870.0000	-18.486	1> 870.0000	-5.789
2: 864.6600	-7.206	2: 864.6600	-9.057
3: 875.4200	-8.480	3: 875.4200	-8.259
4: 840.0000	-0.169	4: 840.0000	-49.510
5: 900.0000	-0.201	5: 900.0000	-39.605