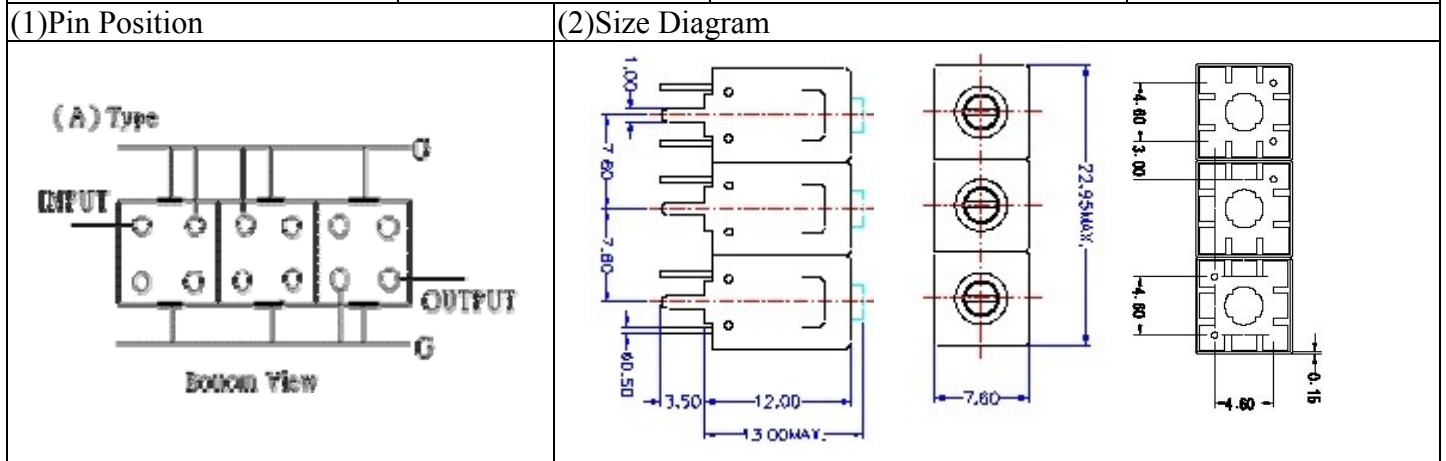


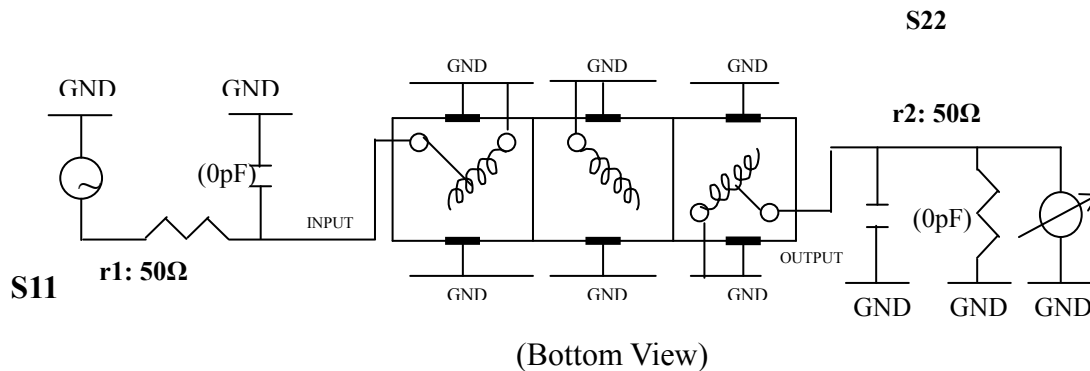
# VHF UHF Helical Filter Specification Sheet

Customer Name		Temwell's Part No.	TT67152A-940M
Approval No. /dated	0902023APR	Customer's Print Name.	67152A 940M
Work Instruction No.	200902023CD	Date	Mar.30.2008



(3) Electric Characteristic			
Item		Specify	Performance
Center Freq.(Fo ) +/- 0.5 %		940 MHz	940 MHz
Tunable Range:		940±10 MHz	940±10 MHz
Insertion Loss		Typ. 2.5 dB	1.94 dB
-3 dB Bandwidth		Typ. 30 MHz	33.6 MHz
Sensitivity (Attenuation )	Fo - 50 MHz	Typ. 27 dBc	30 dBc
	Fo + 50 MHz	Typ. 17 dBc	20 dBc
	Fo - ( )MHz	Typ. dBc	dBc
	Fo +( )MHz	Typ. dBc	dBc
Return Loss		Min. 12 dB	20.0 dB
Ripple		< 1 dB	dB
Impedance		In / Out : 50 Ω	In / Out : 50 Ω
(4) Torque for Tuning Screw		> 100gf · cm	
(5) Temperature Condition:			
Operating Temperature		0°C ~ +60°C	
Storage Temperature		-20°C ~ +70°C	
(6) Input Power		> 1Watt	

(7) Measuring Circuit: ※Easy to match Impedance S11/S22 50Ω by parallel with about(0pF) / (0pF).



Approval	Supervisor	Designer	Aperture size
C.Y.Chang	C.K.Chang	P.H.Chiang	7H3S(4*5.5)(5.56) (7H046LB4.3 聚 3)

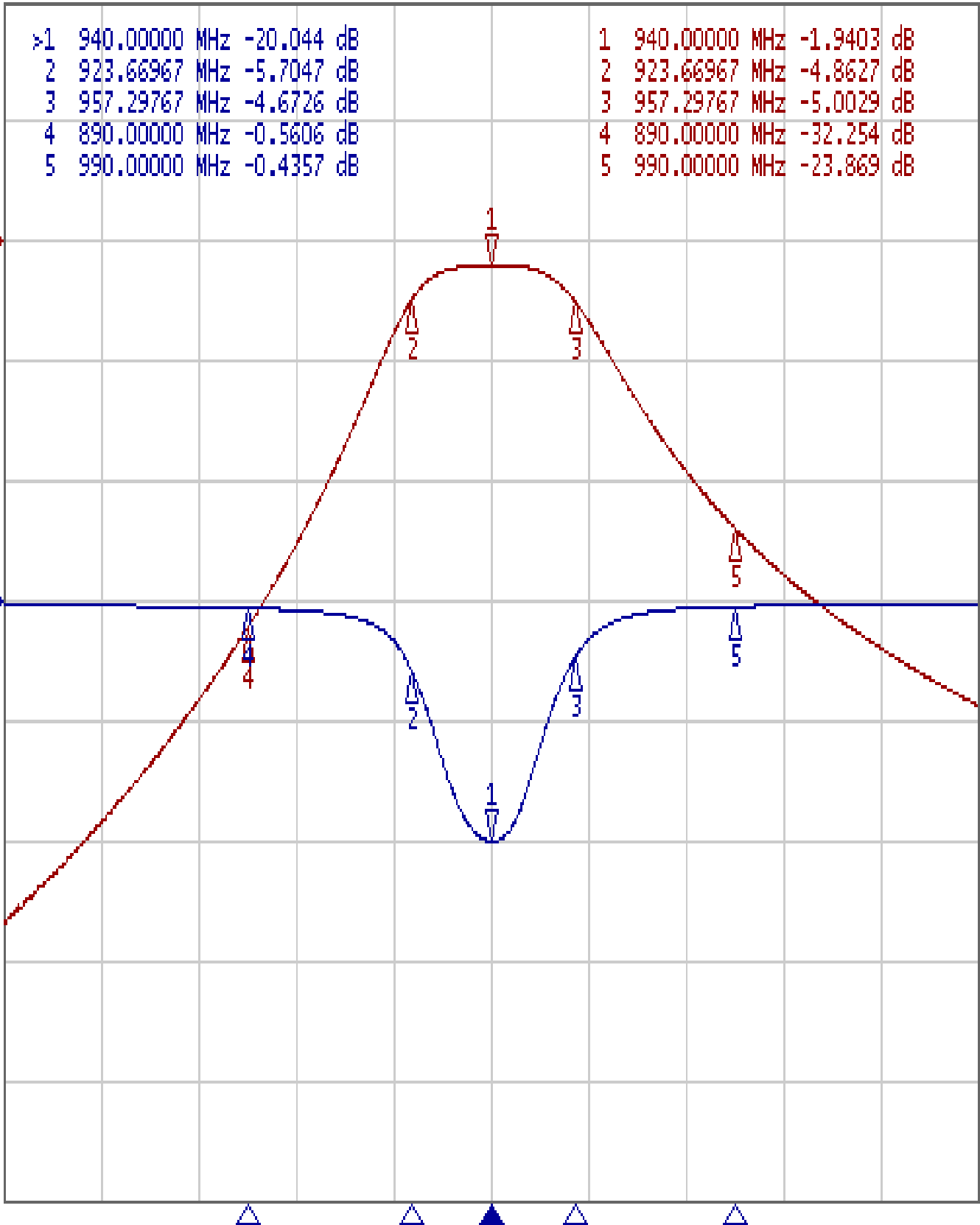
TEMWELL CORPORATION

# Performance-TT67152A-940M

200902023CD

Tr1 S11 Log Mag 10.00dB/ Ref 0.000dB [F2]

Tr2 S21 Log Mag 10.00dB/ Ref 0.000dB [F2]



1 Center 940 MHz

IFBW 10 kHz

Span 200 MHz Cor !