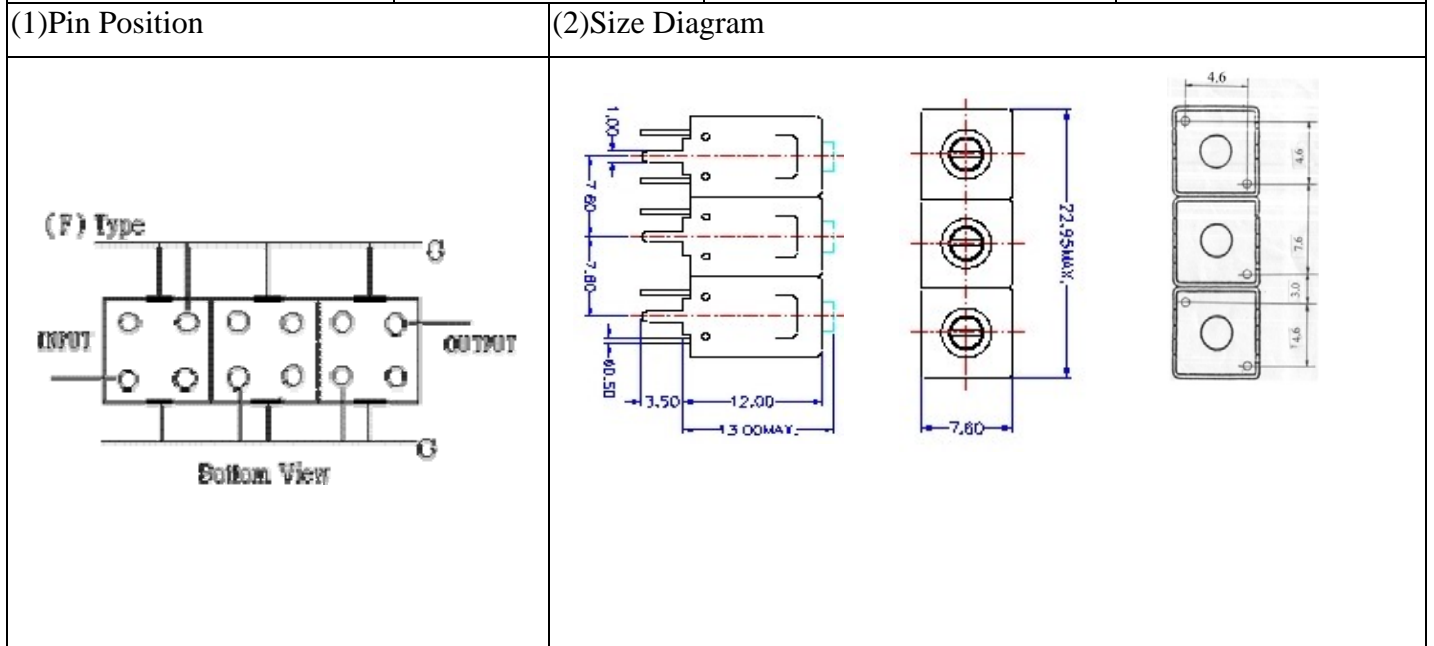


VHF UHF Helical Filter Specification Sheet

| | | | |
|----------------------|----------|-----------------------------|---------------|
| Customer Name | | Temwell's Part No. | TT67155F-620M |
| Approval No. /dated | 2008025B | Acceptable Specify Fo Range | 596~640MHz |
| Work Instruction No. | 2008025B | Date | |



(3) Electric Characteristic

| Item | Specify | Performance |
|------------------------------|-----------------|-----------------|
| Center Freq.(Fo) +/- 0.5 % | 620 MHz | 620 MHz |
| Tunable Range: | 620±5 MHz | 620±5 MHz |
| Insertion Loss | Typ. 4.5 dB | 3.4 dB |
| -3 dB Bandwidth | Typ. 8 MHz | 12 MHz |
| Sensitivity (Attenuation) | Fo - 50 MHz | Typ. 45 dBc |
| | Fo + 50 MHz | Typ. 33 dBc |
| | Fo - ()MHz | Typ. dBc |
| | Fo +()MHz | Typ. dBc |
| Return Loss | Min. 12 dB | 19.9 dB |
| Ripple | < 1 dB | dB |
| Impedance | In / Out : 50 Ω | In / Out : 50 Ω |
| (4) Torque for Tuning Screw | > 100gf • cm | |

(5) Temperature Condition:

| | |
|-----------------------|---------------|
| Operating Temperature | 0°C ~ +60°C |
| Storage Temperature | -20°C ~ +70°C |
| (6) Input Power | > 1Watt |

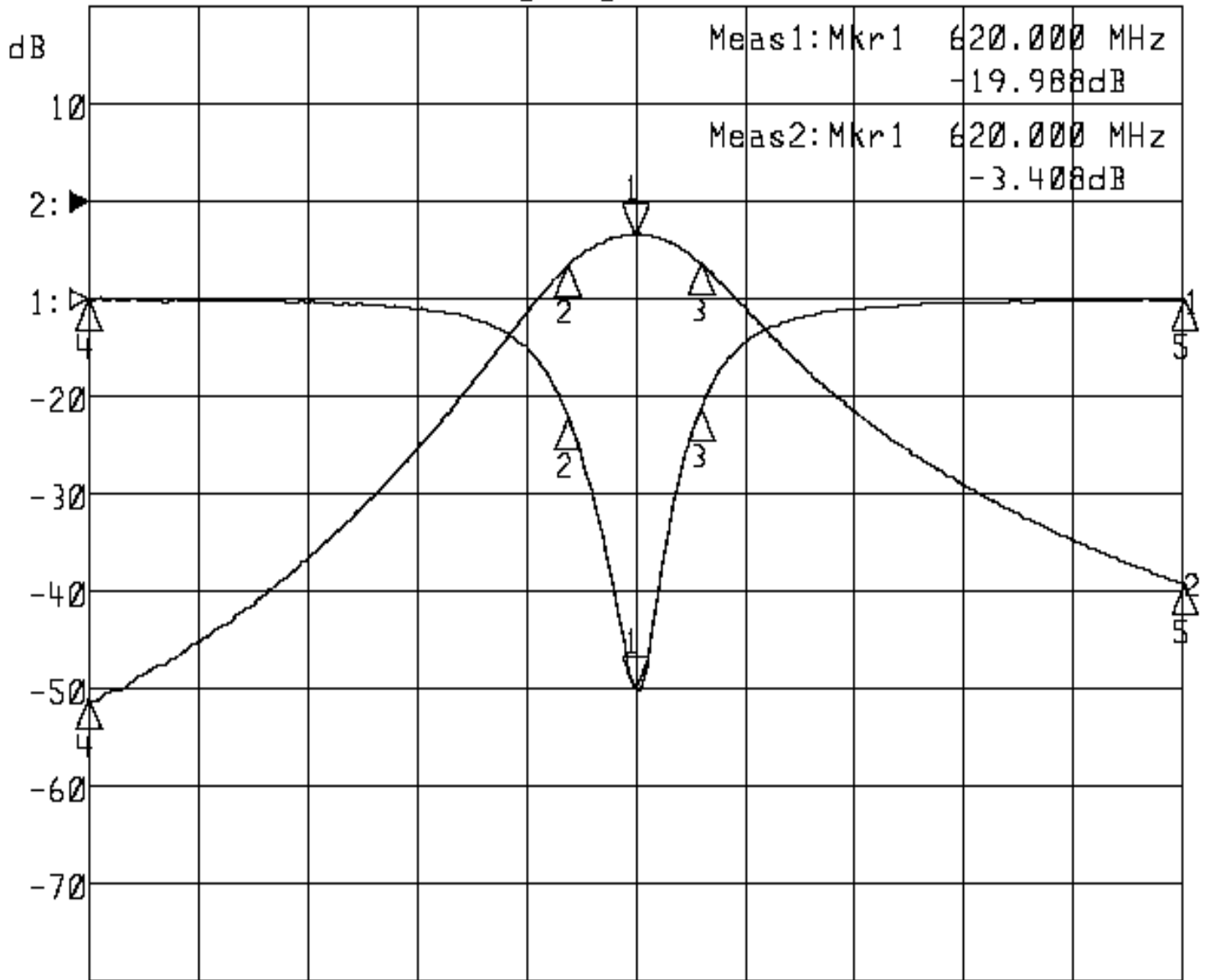
| | | | |
|-----------------------|-------------------------|-----------------------|--|
| Approval C.Y.Chang | Supervisor C.S.Chang | Designer C.S.Chang | Aperture size 7H3S(4*5.5) 7H046LB4 聚 3 |
|-----------------------|-------------------------|-----------------------|--|

TEMWELL CORPORATION

Performance-TT67155F-620M

2008025B

▷1:S11 Refl Port1 Log Mag 5.0 dB/ Ref 0.00 dB C
▶2:S21 Fwd Trans Log Mag 10.0 dB/ Ref 0.00 dB C



Center 620.000 MHz

Span 100.000 MHz

| 1:Mkr (MHz) | dB | 2:Mkr (MHz) | dB |
|-------------|---------|-------------|---------|
| 1> 620.0000 | -19.988 | 1> 620.0000 | -3.408 |
| 2: 613.9000 | -6.102 | 2: 613.9000 | -6.514 |
| 3: 625.9333 | -5.656 | 3: 625.9333 | -6.315 |
| 4: 570.0000 | -0.035 | 4: 570.0000 | -51.101 |
| 5: 670.0000 | -0.028 | 5: 670.0000 | -39.154 |