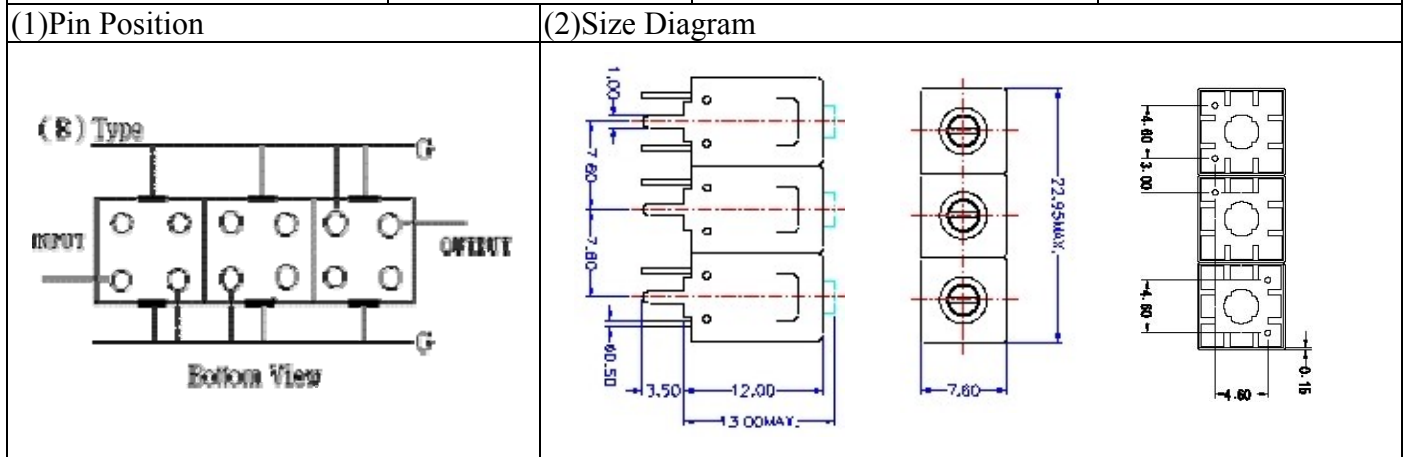


# VHF UHF Helical Filter Specification Sheet

Customer Name		Temwell's Part No.	TT6715B-165M
Approval No. /dated	200810153B	Customer's Print Name.	6715B 165M
Work Instruction No.	200810153B	Date	Oct.31.2008



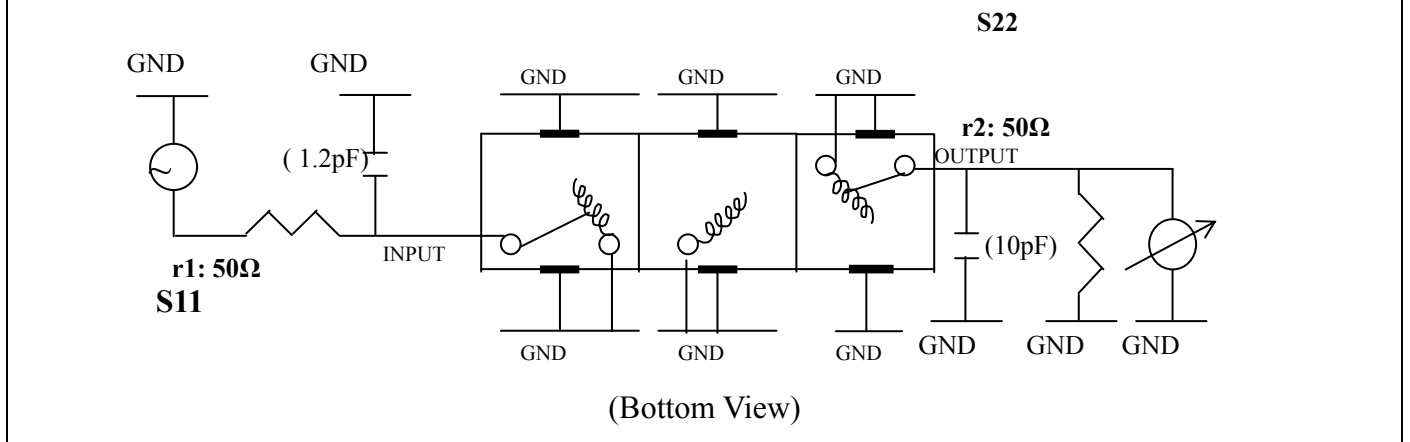
Item		Specify	Performance
Center Freq.(Fo) +/- 0.75 %		165 MHz	165 MHz
Insertion Loss		Typ. 4.5 dB	3.52 dB
-3 dB Bandwidth		Typ. 5 MHz	6.1 MHz
Sensitivity (Attenuation)	Fo - 10 MHz	Typ. 34 dBc	35 dBc
	Fo + 10 MHz	Typ. 30 dBc	33 dBc
	Fo - ( )MHz	Typ. dBc	dBc
	Fo +( )MHz	Typ. dBc	dBc
Return Loss		Min. 12 dB	18.9 dB
Ripple		< 1 dB	dB
Impedance		In / Out : 50 Ω	In / Out : 50 Ω

(4) Torque for Tuning Screw > 100gf · cm

(5) Temperature Condition:

Operating Temperature	-30°C ~ +70°C
Storage Temperature	-30°C ~ +80°C

(6) Input Power > 1 Watt



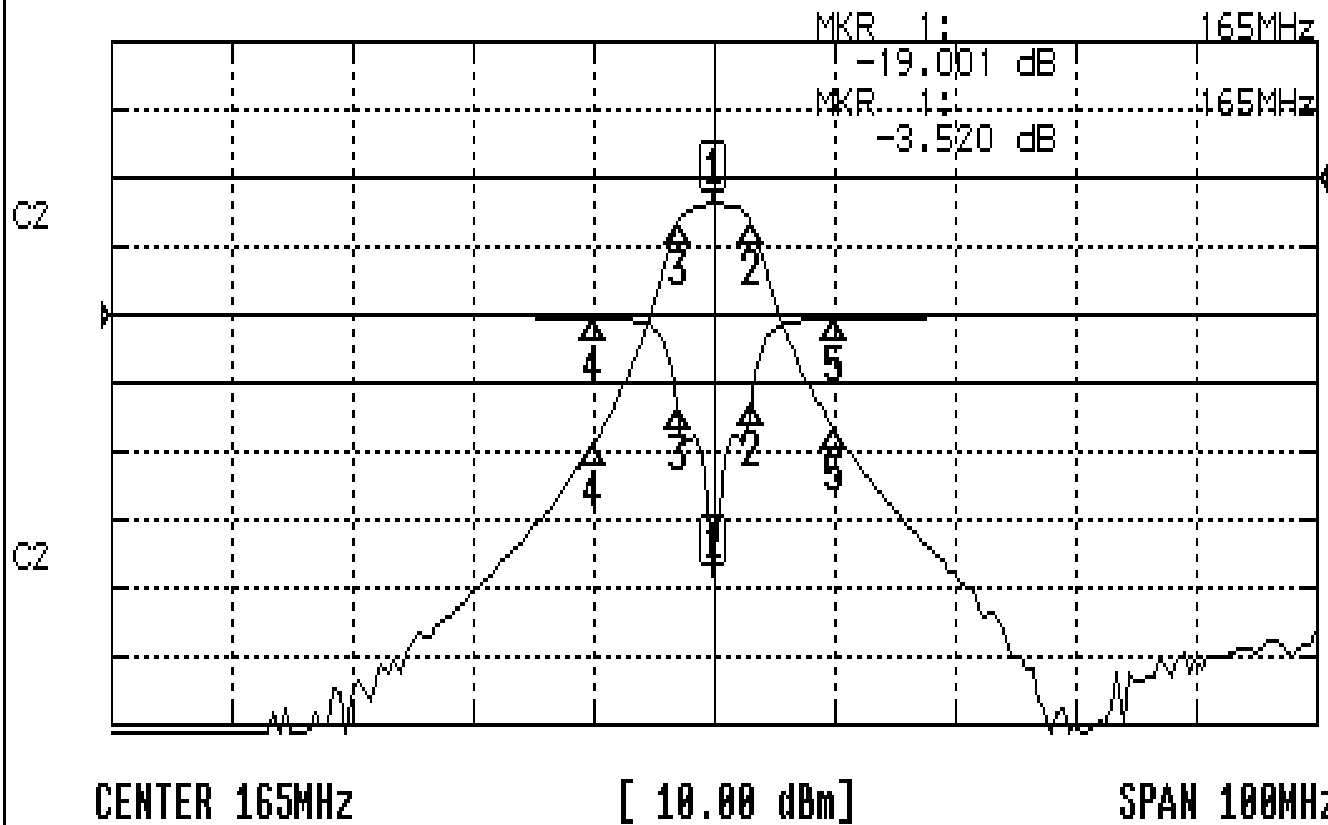
Approval	Supervisor	Designer	Aperture size
C.Y.Chang	C.S.Chang	C.H.Yeh	7H3S(4*5.5F) (7H024LB4)

TEMWELL CORPORATION

# Performance-TT6715B-165M

## 200810153B

**CH1** S11                      LOG MAG                      REF 0.000 dB                      5.000 dB/  
**CH2** S21                      LOG MAG                      REF 0.000 dB                      10.000 dB/



### CH1 MARKER LIST

1	165.000MHz	-18.998	dB
2	168.166MHz	-6.854	dB
3	162.000MHz	-6.783	dB
4	155.000MHz	-0.220	dB
5	175.000MHz	-0.260	dB

### CH2 MARKER LIST

1	165.000MHz	-3.520	dB
2	168.166MHz	-6.45	dB
3	162.000MHz	-6.00	dB
4	155.000MHz	-6.87	dB
5	175.000MHz	-6.41	dB