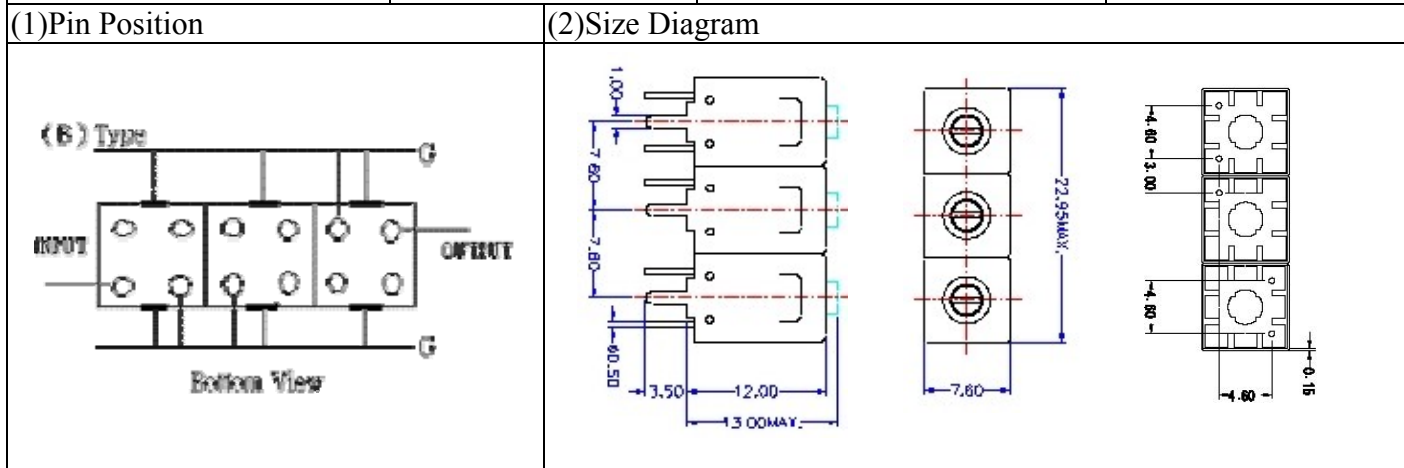


VHF UHF Helical Filter Specification Sheet

Customer Name		Temwell's Part No.	TT67168B-815.5M
Approval No. /dated	201407230CD	Temwell's Print name	67168B 815.5M
Work Instruction No.	201407230CD	Date	Oct.08.2014



(3) Electric Characteristic

Item	Specify	Performance	
Center Freq.(Fo) +/- 0.5 %	815.5 MHz	815.5 MHz	
Insertion Loss	Typ. 2.5 dB	1.72 dB	
-3 dB Bandwidth	Typ. 30 MHz	34.6 MHz	
Sensitivity (Attenuation)	Fo - 80 MHz	Typ. 52 dBc	60 dBc
	Fo + 80 MHz	Typ. 33 dBc	35 dBc
	Fo - ()MHz	Typ. dBc	dBc
	Fo + ()MHz	Typ. dBc	dBc
Return Loss	Min. 12 dB	18.0 dB	
Ripple	< 1 dB	dB	
Impedance	In / Out : 50 Ω	In / Out : 50 Ω	

(4) Torque for Tuning Screw

> 60gf · cm

(5) Temperature Condition:

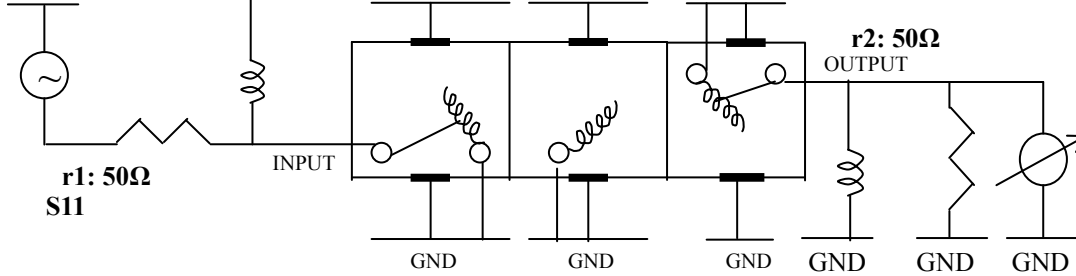
Operating Temperature: 0°C ~ +60°C

Storage Temperature: -20°C ~ +70°C

(6) Input Power

> 1Watt

(7) Measuring Circuit: ※Easy to match Impedance S11/S22 50Ω by parallel with about(--).



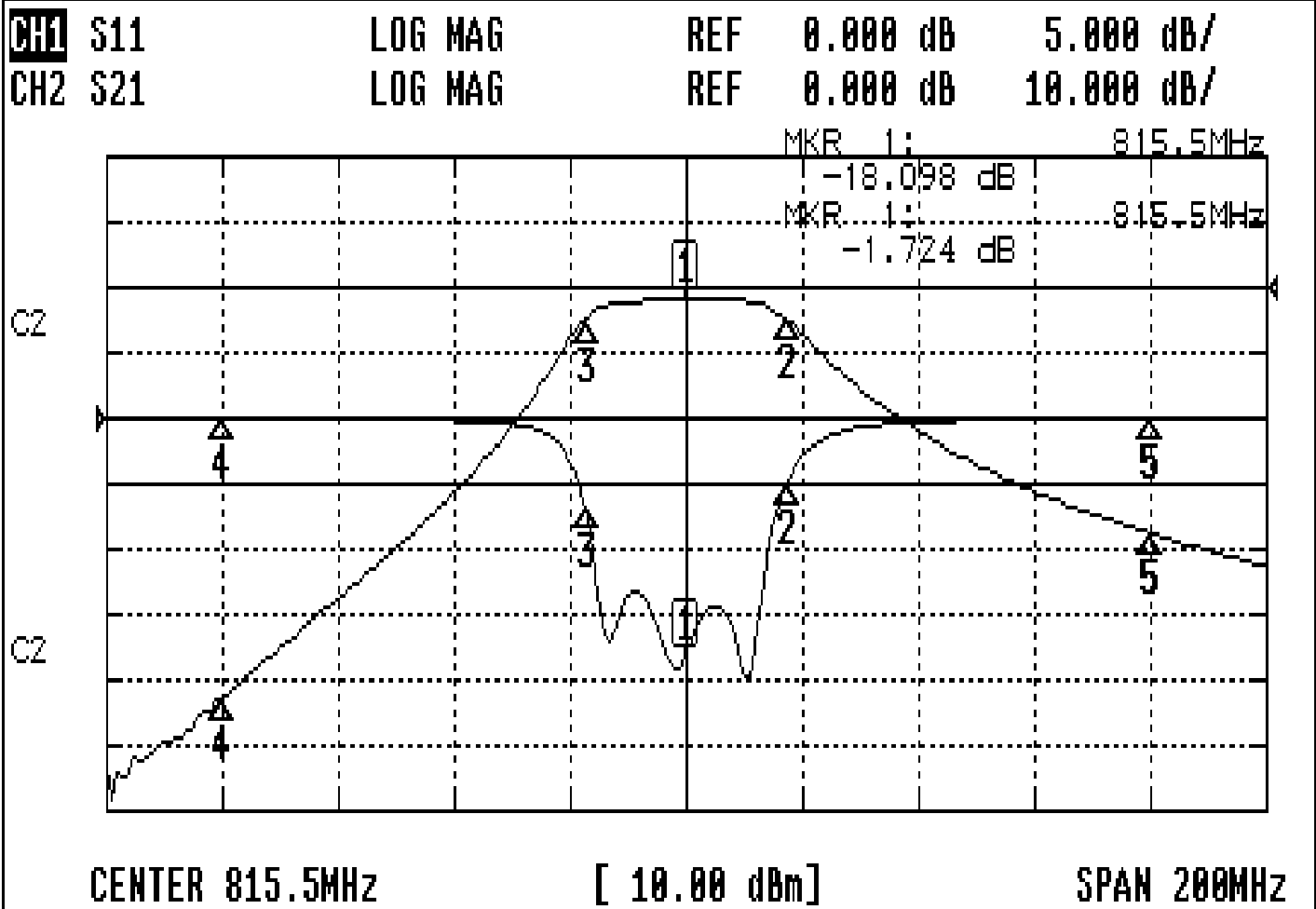
(Bottom View)

Approval C.Y.Chang	Supervisor C.K.Chang	Designer C.H.Yeh	Aperture size 7H3S(4*7.35)(7.40) 7H046RB4
-----------------------	-------------------------	---------------------	---

TEMWELL CORPORATION

Performance-TT67168B-815.5M

201407230CD



CH1 MARKER LIST

1:	815.500MHz	-18.098	dB
2:	832.833MHz	-5.075	dB
3:	798.166MHz	-6.988	dB
4:	735.500MHz	0.028	dB
5:	895.500MHz	0.018	dB

CH2 MARKER LIST

1:	815.500MHz	-1.726	dB
2:	832.833MHz	-4.807	dB
3:	798.166MHz	-4.769	dB
4:	735.500MHz	-62.629	dB
5:	895.500MHz	-37.577	dB