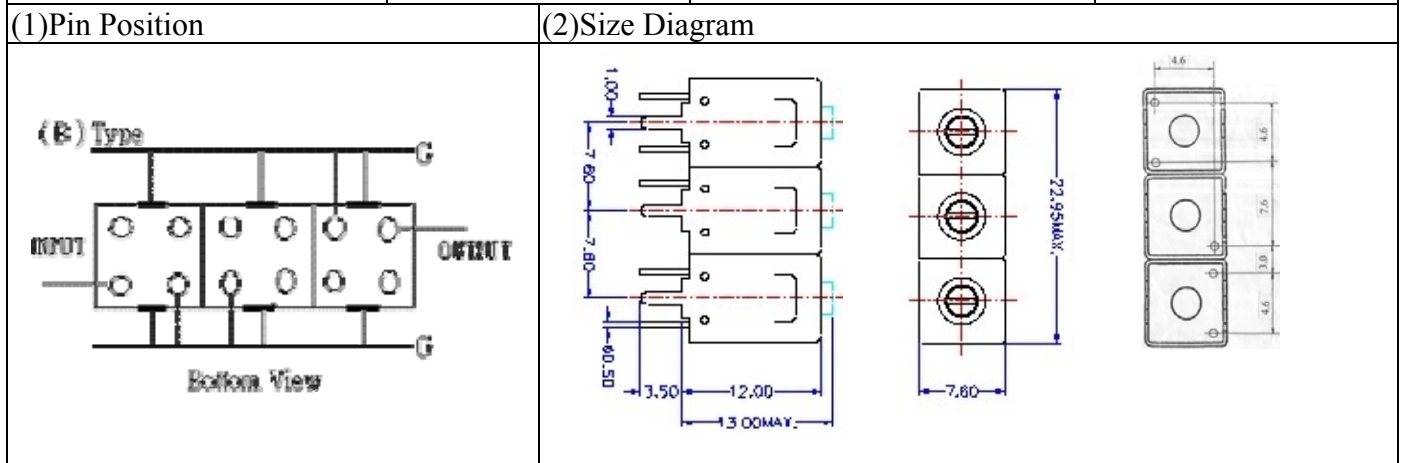


VHF UHF Helical Filter Specification Sheet

Customer Name		Temwell's Part No.	TT67181B1-128M
Approval No. /dated	0709081APR	Temwell's Print Name	126~145M
Work Instruction No.	0709081B	Date	Oct.02.2007



(3) Electric Character

Item	Specify	Performance
Center Freq.(Fo) +/- 0.5 %	128 MHz	128 MHz
Insertion Loss	Typ. 1.5 dB	0.98 dB
-3 dB Bandwidth	Typ. 24 MHz	25.5 MHz
Sensitivity (Attenuation)	Fo - 50 MHz	Typ. 54 dBc
	Fo + 50 MHz	Typ. 31 dBc
	Fo - ()MHz	Typ. dBc
	Fo +()MHz	Typ. dBc
Return Loss	Min. 12 dB	29.5 dB
Ripple	< 1 dB	
Impedance	In / Out : 50 Ω	In / Out : 50 Ω

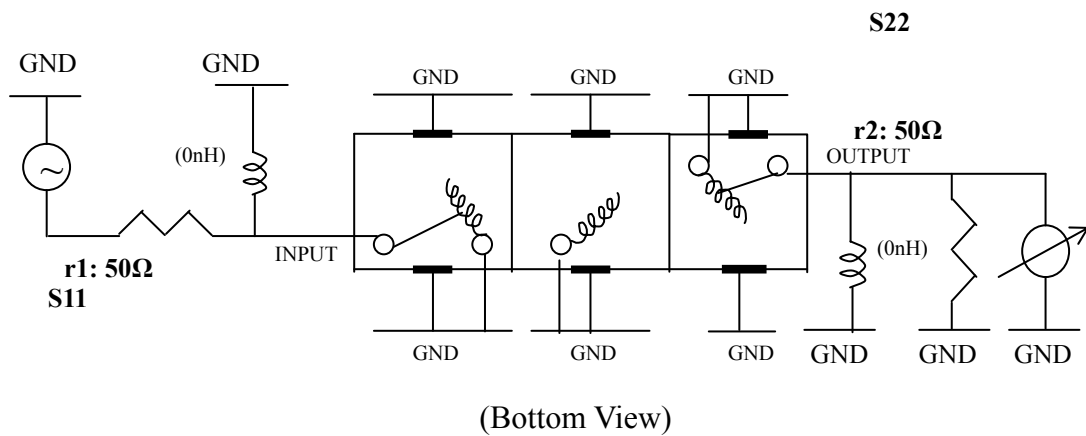
(4) Torque for Tuning Screw > 100gf · cm

(5) Temperature Condition:

Operating Temperature	0°C ~ +60°C
Storage Temperature	-20°C ~ +70°C

(6) Input Power > 1Watt

(7) Measuring Circuit: ※Easy to match Impedance S11/S22 50Ω by parallel with about(0nH) / (0nH).



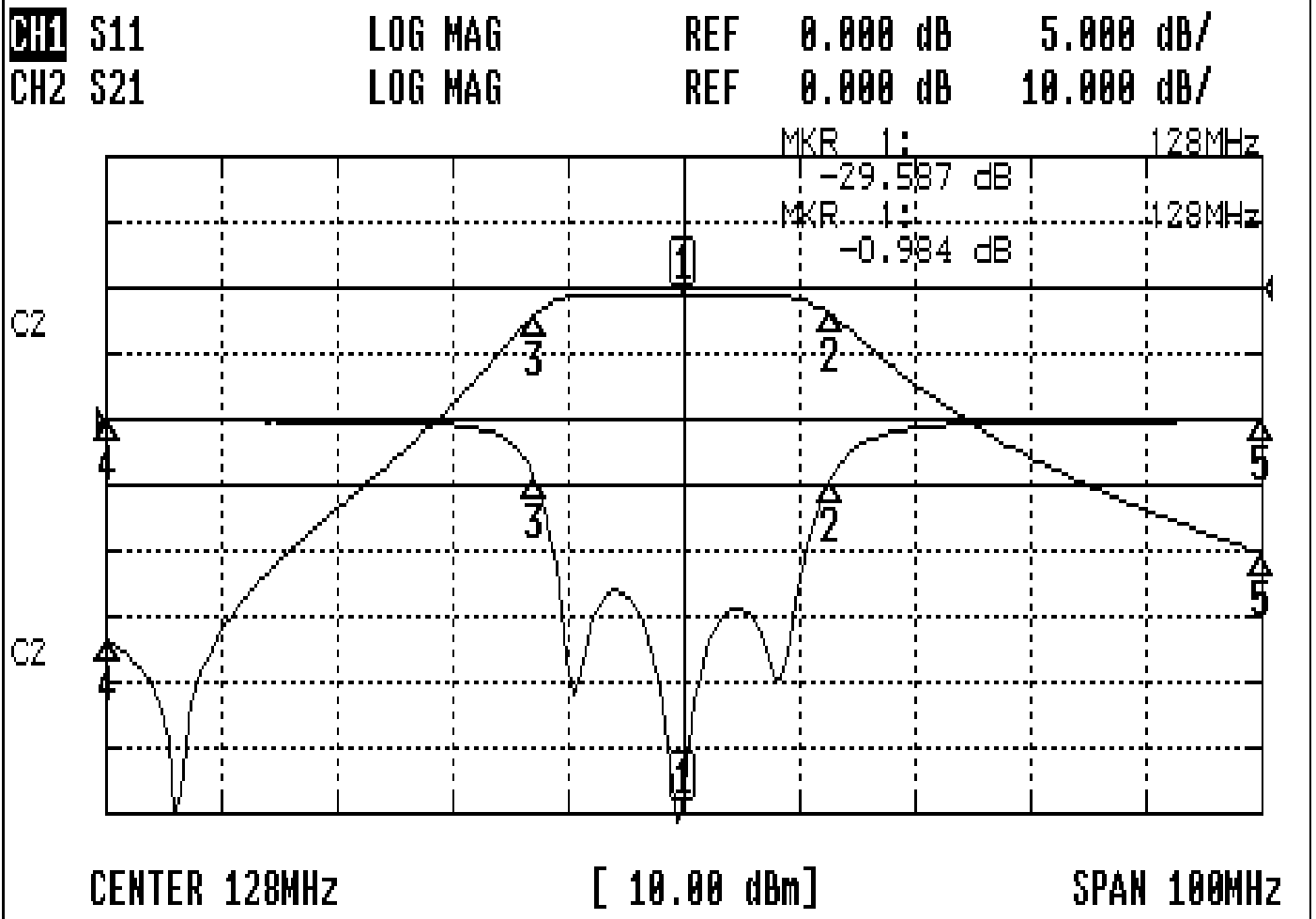
Approval	Supervisor	Designer	Aperture size
C.Y.Chang	C.S.Chang	C.S.Chang	7H3(4*6.5) 7H024LB6.5

TEMWELL CORPORATION

TEMWELL RP:C.S.Chang

Performance-TT67181B1-128M

0709081B



CH1 MARKER LIST

1	128.000MHz	-29.562	dB
2	140.666MHz	-4.659	dB
3	115.166MHz	-4.634	dB
4	78.000MHz	-0.136	dB
5	178.000MHz	-0.121	dB

CH2 MARKER LIST

1	128.000MHz	-0.984	dB
2	140.666MHz	-0.943	dB
3	115.166MHz	-0.909	dB
4	78.000MHz	-0.696	dB
5	178.000MHz	-0.387	dB