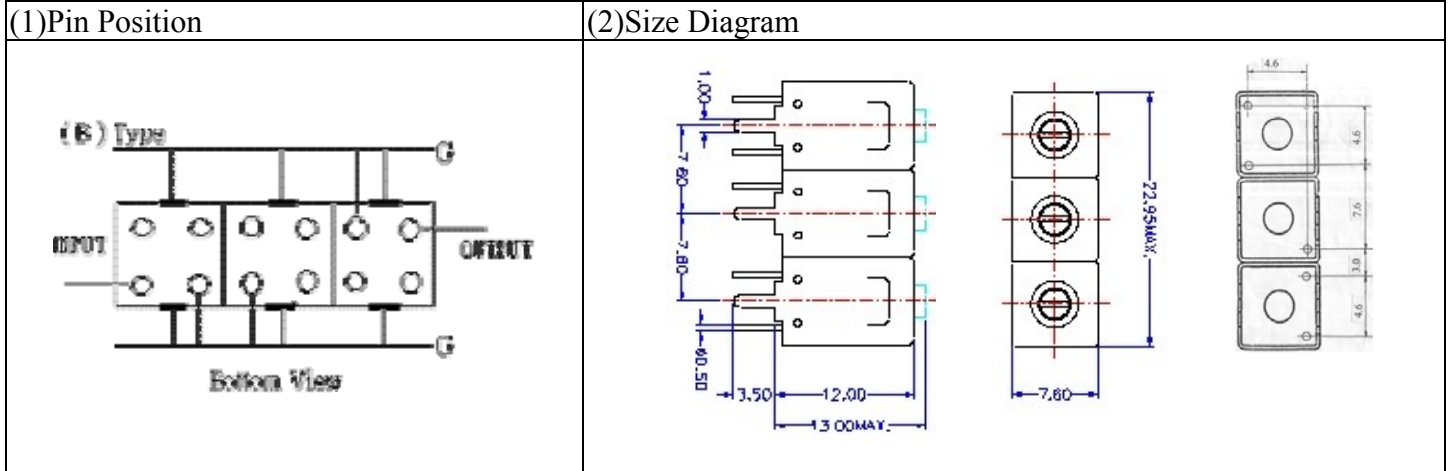


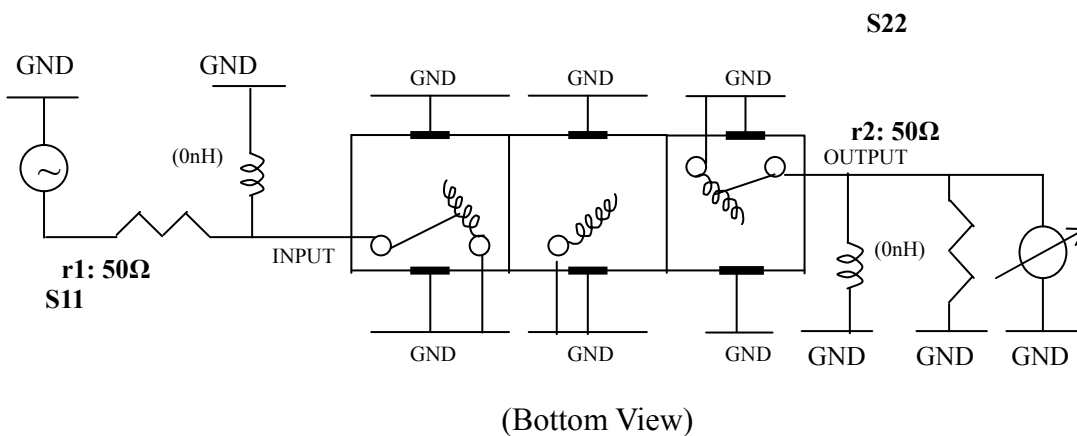
VHF UHF Helical Filter Specification Sheet

Customer Name		Temwell's Part No.	TT67183B1-180M
Approval No. /dated	0605108APR	Acceptable Specify Fo Range	166~195 MHz
Work Instruction No.	0605108B	Date	Jun.06.2006



(3) Electric Character				
Item	Specify		Performance	
Center Freq.(Fo) +/- 0.75 %	180	MHz	180 MHz	
Tunable Range	180±2	MHz	180±2 MHz	
Insertion Loss	Typ. 2.5	dB	1.62 dB	
-3 dB Bandwidth	Typ. 12	MHz	13.0 MHz	
Sensitivity (Attenuation)	Fo -50 MHz	Typ. 50	dBc	58 dBc
	Fo +50 MHz	Typ. 44	dBc	47 dBc
	Fo - ()MHz	Typ.	dBc	dBc
	Fo +()MHz	Typ.	dBc	dBc
Return Loss	Min. 12	dB	28.7 dB	
Ripple	< 1	dB	dB	
Impedance	In / Out : 50 Ω		In / Out : 50 Ω	
(4) Torque for Tuning Screw	> 100gf · cm			
(5) Temperature Condition:				
Operating Temperature	-30°C ~ +70°C			
Storage Temperature	-30°C ~ +80°C			
(6) Input Power	> 1Watt			

(7) Measuring Circuit: ※Easy to match Impedance S11/S22 50Ω/ by parallel with about(0nH) / (0nH).

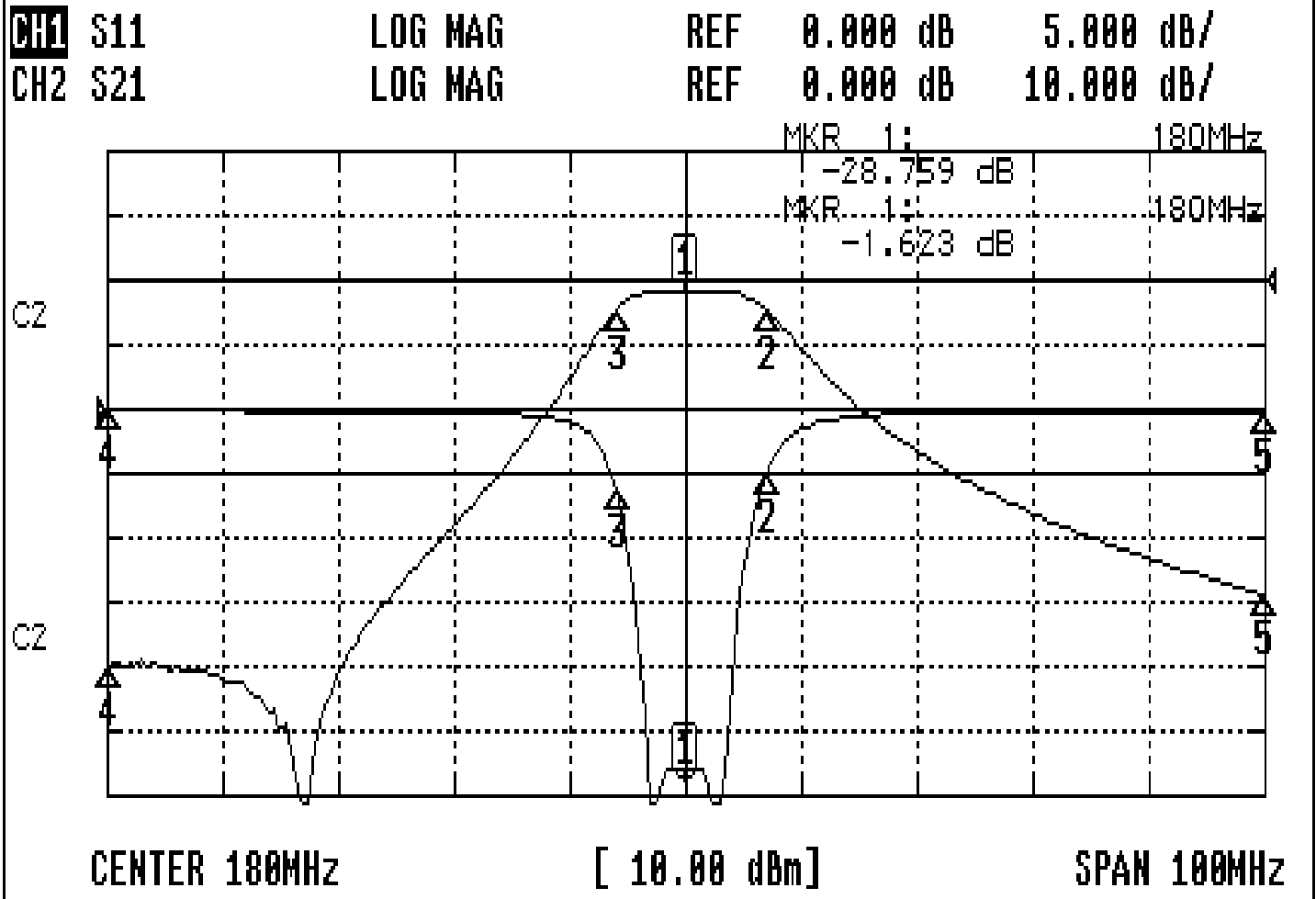


Approval	Supervisor	Designer	Aperture size
C.Y. Chang	C.S. Chang	P.H. Chiang	7H3(4*7.5)(7.56) F 7H024RB4

TEMWELL CORPORATION

Performance-TT67183B1-180M

0605108B



CH1 MARKER LIST

1:	180.000MHz	-28.771	dB
2:	187.000MHz	-5.106	dB
3:	174.000MHz	-6.057	dB
4:	130.000MHz	-0.129	dB
5:	230.000MHz	-0.181	dB

CH2 MARKER LIST

1:	180.000MHz	-1.623	dB
2:	187.000MHz	-4.500	dB
3:	174.000MHz	-4.541	dB
4:	130.000MHz	-5.001	dB
5:	230.000MHz	-48.001	dB