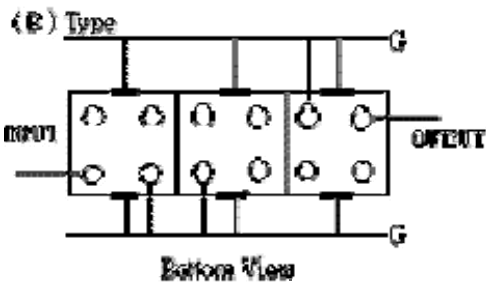
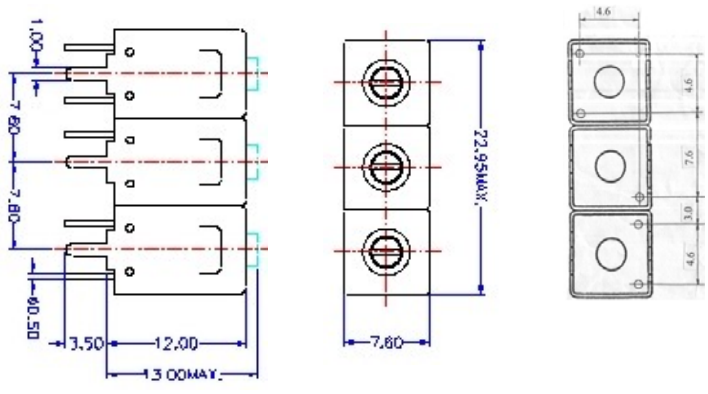


VHF UHF Helical Filter Specification Sheet

Customer Name		Temwell's Part No.	TT67186B-240M
Approval No. /dated	20305032DC	Acceptable Specify Fo. Range	221~245MHz
Work Instruction No.	20305032DC	Date	

<p>(1) Pin Position</p> 	<p>(2) Size Diagram</p> 
-----------------------------------------------------------------------------------------------------------	------------------------------------------------------------------------------------------------------------

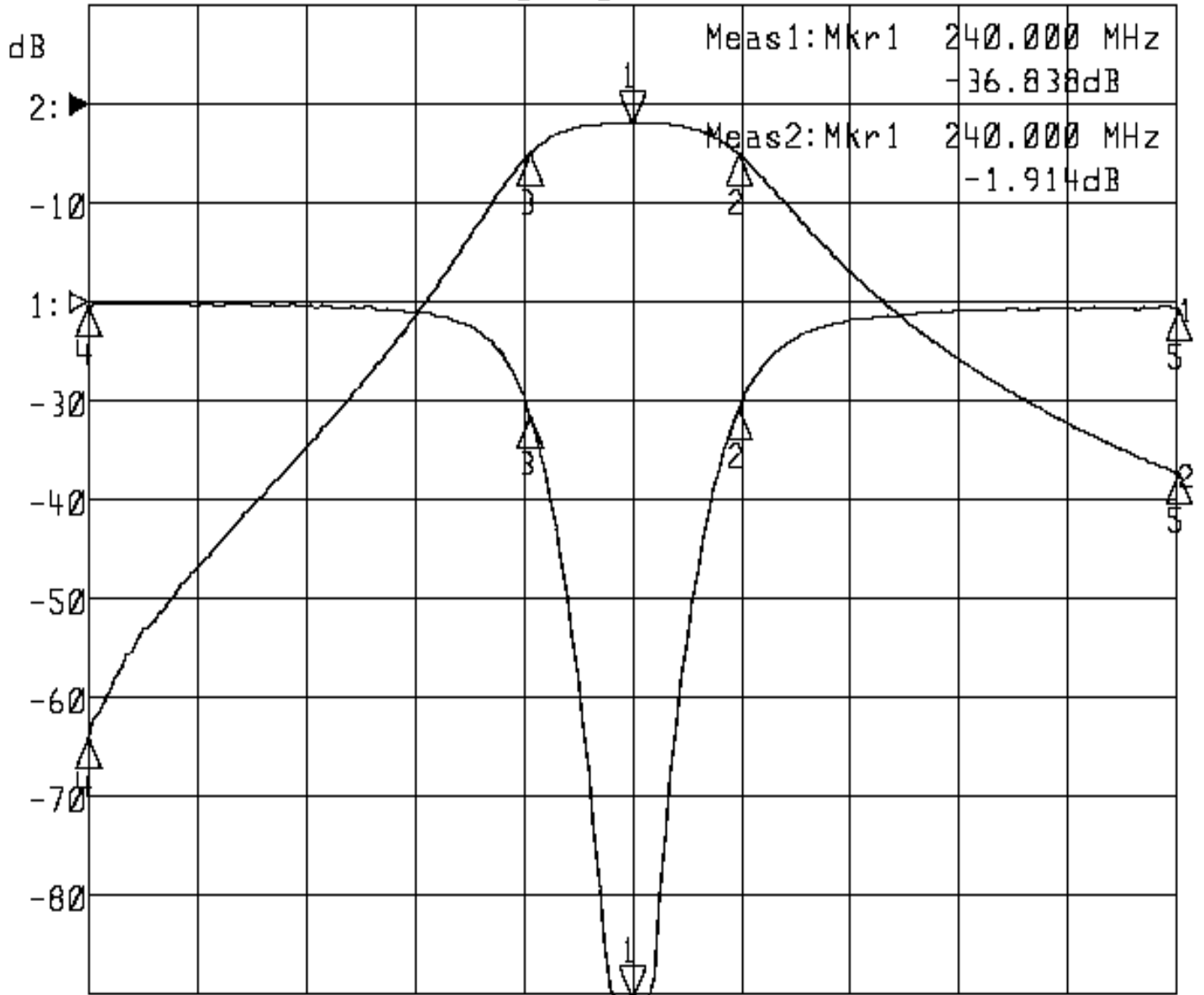
(3) Electric Character			
Item		Specify	Performance
Center Freq.(Fo) +/- 0.5 %		240 MHz	240 MHz
Tunable Range		240±4 MHz	240±4 MHz
Insertion Loss		Typ. 3.0 dB	1.9 dB
-3 dB Bandwidth		Typ. 18 MHz	19 MHz
Sensitivity (Attenuation)	Fo -50 MHz	Typ. 60 dBc	62 dBc
	Fo +50 MHz	Typ. 33 dBc	35 dBc
	Fo - ()MHz	Typ. dBc	dBc
	Fo +()MHz	Typ. dBc	dBc
Return Loss		Min. 12 dB	36 dB
Ripple		< 1 dB	dB
Impedance		In / Out : 50 Ω	In / Out : 50 Ω
(4) Torque for Tuning Screw		> 100gf • cm	
(5) Temperature Condition:			
Operating Temperature		0°C ~ +60°C	
Storage Temperature		-20°C ~ +70°C	
(6) Input Power		> 1Watt	
Approval	Supervisor	Designer	Aperture size
C.Y.Chang	C.S.Chang	C.S.Chang	7H3S(4*8.0)F 7H00LB4

TEMWELL CORPORATION

Performance-TT67186B-240M

20305032DC

▶1:S11 Refl Port1 Log Mag 5.0 dB/ Ref 0.00 dB C
▶2:S21 Fwd Trans Log Mag 10.0 dB/ Ref 0.00 dB C



Center 240.000 MHz

Span 100.000 MHz

1: Mkr (MHz)	dB	2: Mkr (MHz)	dB
1> 240.0000	-36.838	1> 240.0000	-1.914
2: 249.7667	-5.385	2: 249.7667	-4.985
3: 230.6333	-5.781	3: 230.6333	-4.973
4: 190.0000	-0.181	4: 190.0000	-64.011
5: 290.0000	-0.347	5: 290.0000	-37.336