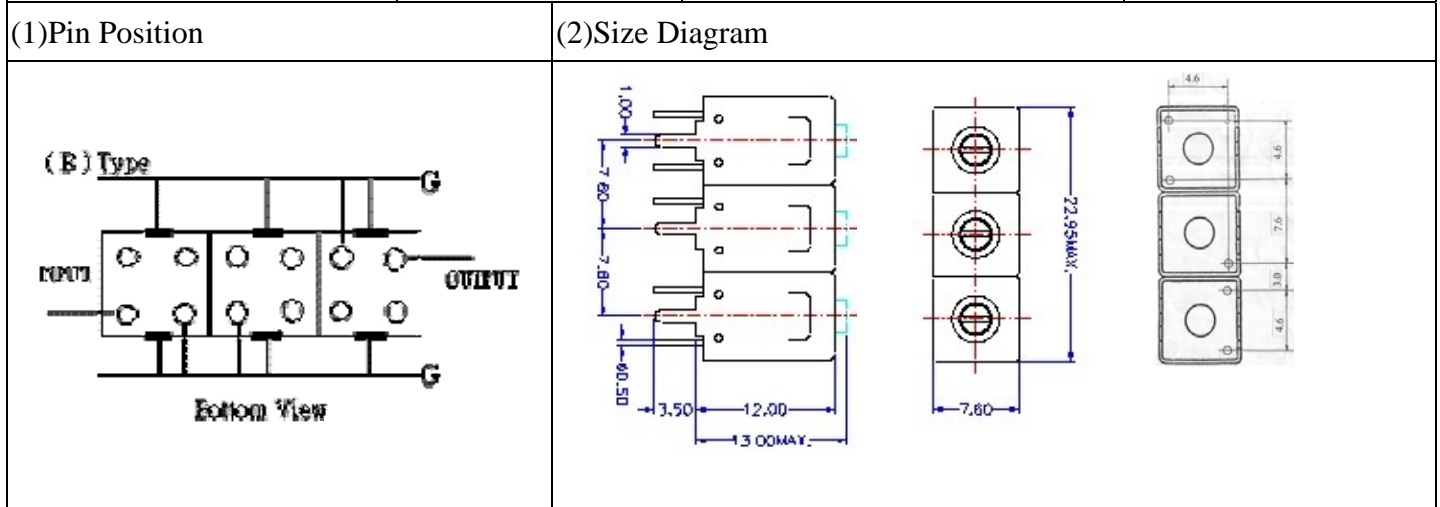


VHF UHF Helical Filter Specification Sheet

Customer Name		Temwell's Part No.	TT67188B-70M
Approval No. /dated	20108019B	Acceptable Specify Fo. Range	68~75MHz
Work Instruction No.	20108019B	Date	



(3) Electric Character

Item	Specify	Performance	
Center Freq.(Fo) +/- 0.5 %	70 MHz	70 MHz	
Tunable Range	70±2 MHz	70±2 MHz	
Insertion Loss	Typ. 5.0 dB	3.8 dB	
-3 dB Bandwidth	Typ. 4 MHz	5 MHz	
Sensitivity (Attenuation)	Fo -10 MHz	Typ. 42 dBc	46 dBc
	Fo +10 MHz	Typ. 33 dBc	35 dBc
	Fo - ()MHz	Typ. dBc	dBc
	Fo +()MHz	Typ. dBc	dBc
Return Loss	Min. 12 dB	19 dB	
Ripple	< 1 dB	dB	
Impedance	In / Out : 50 Ω	In / Out : 50 Ω	

(4) Torque for Tuning Screw > 100gf · cm

(5) Temperature Condition:

Operating Temperature	0°C ~ +60°C
Storage Temperature	-20°C ~ +70°C

(6) Input Power > 1Watt

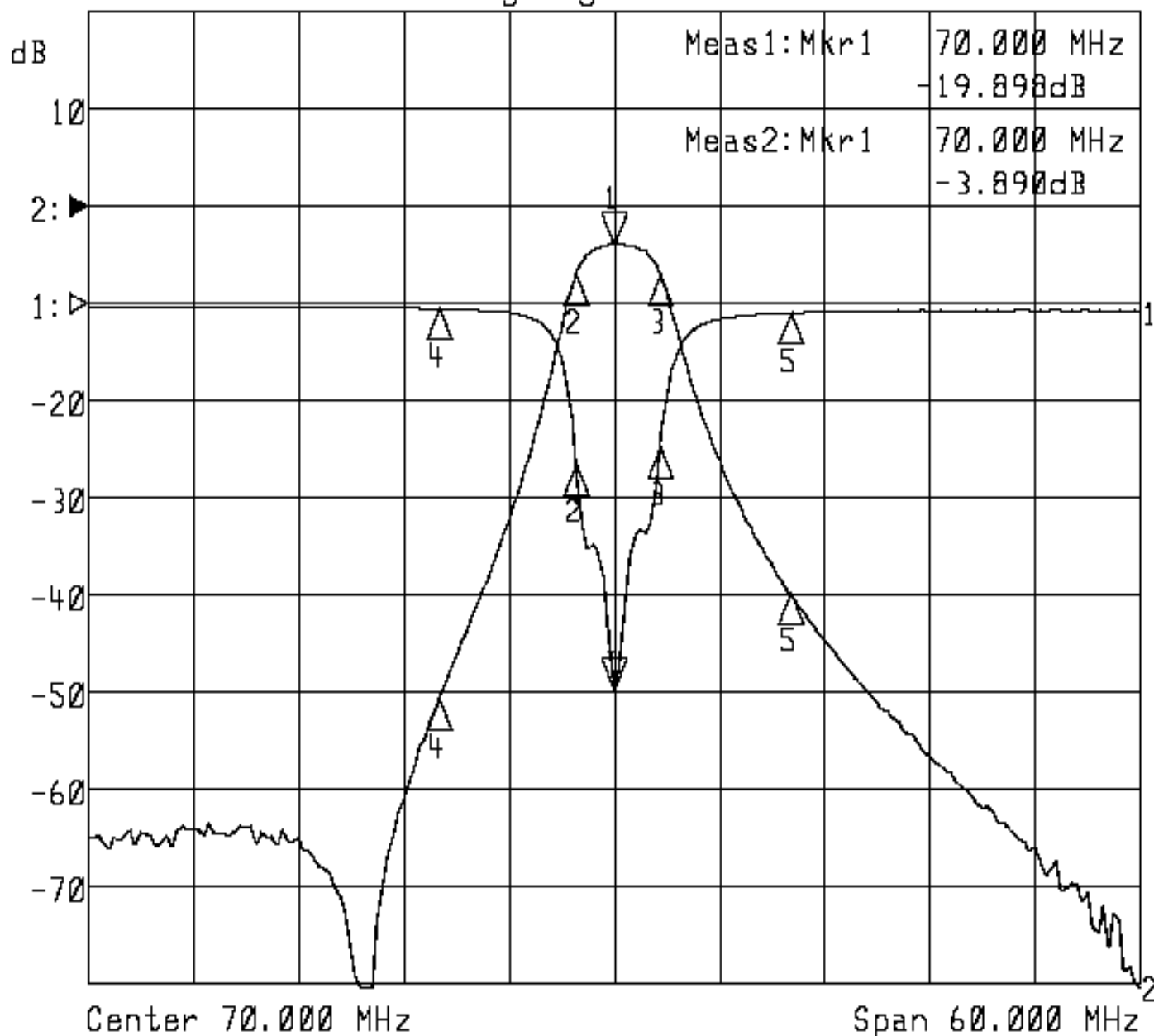
Approval	Supervisor	Designer	Aperture size
C. Y.Chang	C.S.Chang	C.S.Chang	7H3S(4*7.5)F 7H00LB4

TEMWELL CORPORATION

Performance-TT67188B-70M

20108019B

▶1:S11 Refl Port1 Log Mag 5.0 dB/ Ref 0.00 dB C
▶2:S21 Fwd Trans Log Mag 10.0 dB/ Ref 0.00 dB C



1:Mkr (MHz)	dB	2:Mkr (MHz)	dB
1> 70.0000	-19.898	1> 70.0000	-3.890
2: 67.8400	-8.195	2: 67.8400	-6.898
3: 72.6200	-7.332	3: 72.6200	-6.877
4: 60.0000	-0.305	4: 60.0000	-50.759
5: 80.0000	-0.491	5: 80.0000	-39.787