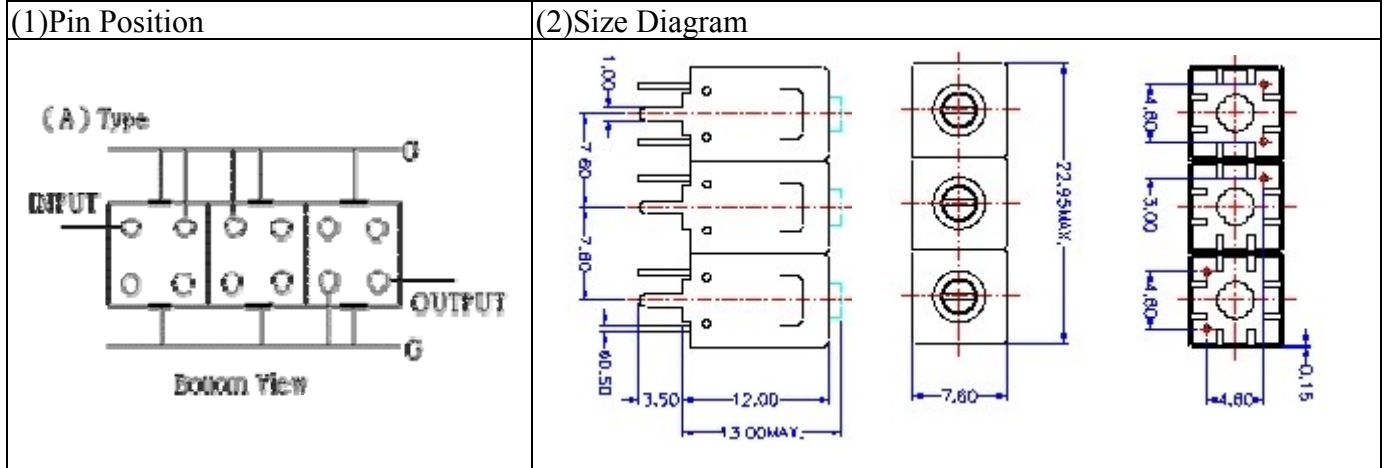
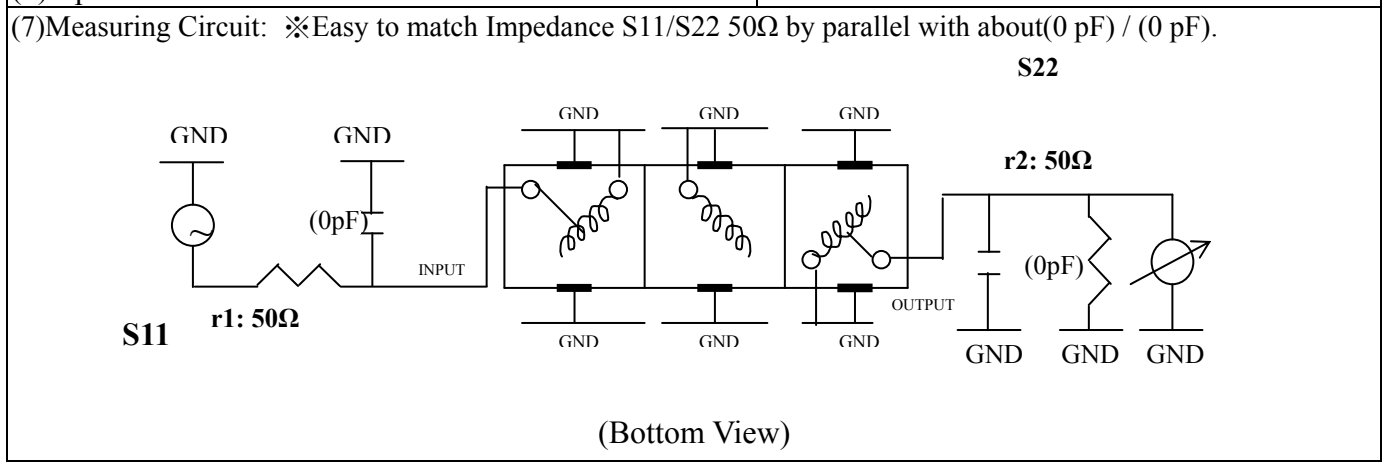


# VHF UHF Helical Filter Specification Sheet

Customer Name		Temwell's Part No.	TT6718A-170M
Approval No. /dated	0608010APR	Temwell's print name	166~195M
Work Instruction No.	0608010B	Date	Aug.10.2006



(3) Electric Character			
Item		Specify	Performance
Center Freq.(Fo) +/- 0.75 %		170 MHz	170 MHz
Tunable Range		170±2 MHz	170±2 MHz
Insertion Loss		Typ. 5.0 dB	3.55 dB
-3dB Bandwidth		Typ. 4 MHz	5.9 MHz
Sensitivity (Attenuation)	Fo - 10 MHz	Typ. 28 dBc	31 dBc
	Fo + 10 MHz	Typ. 25 dBc	28 dBc
	Fo - ( )MHz	Typ. dBc	dBc
	Fo +( )MHz	Typ. dBc	dBc
Return Loss		Min. 12 dB	37.6 dB
Ripple		< 1 dB	dB
Impedance		In / Out : 50 Ω	In / Out : 50 Ω
(4) Torque for Tuning Screw		> 100gf · cm	
(5) Temperature Condition:			
Operating Temperature		-30°C ~ +70°C	
Storage Temperature		-30°C ~ +80°C	
(6) Input Power		> 1 Watt	



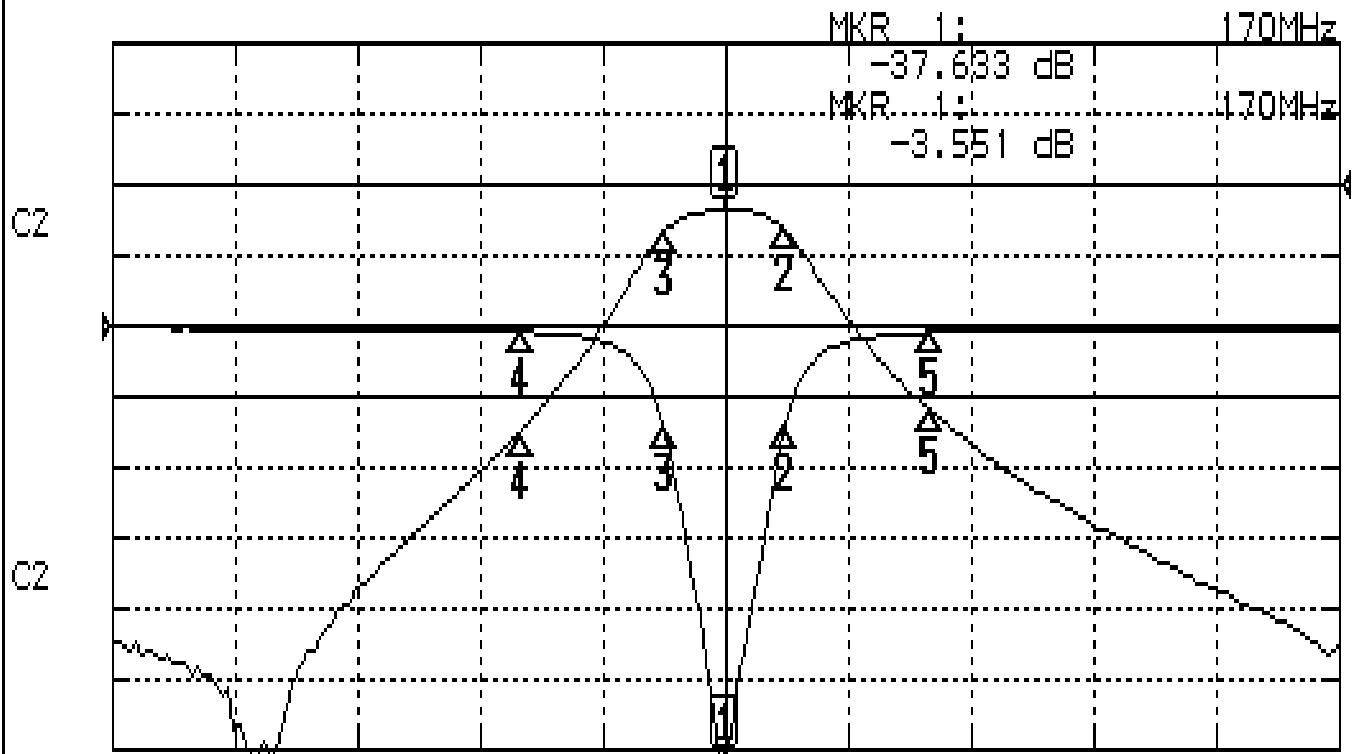
Approval	Supervisor	Designer	Aperture size
C.Y.Chang	C.S.Chang	W.W.Wang	7H3(4*5.5)F 7H024LB4

TEMWELL CORPORATION

# Performance-TT6718A-170M

## 0608010B

CH1 S11 LOG MAG REF 0.000 dB 5.000 dB/  
CH2 S21 LOG MAG REF 0.000 dB 10.000 dB/



CENTER 170MHz

[ 10.00 dBm ]

SPAN 60MHz

### CH1 MARKER LIST

Marker	Frequency (MHz)	Magnitude (dB)
1	170.000	-37.633
2	172.950	-6.978
3	167.000	-7.016
4	160.000	-0.398
5	180.000	-0.420

### CH2 MARKER LIST

Marker	Frequency (MHz)	Magnitude (dB)
1	170.000	-3.554
2	172.950	-6.497
3	167.000	-6.641
4	160.000	-34.701
5	180.000	-31.816