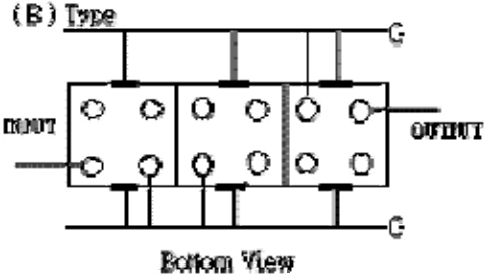
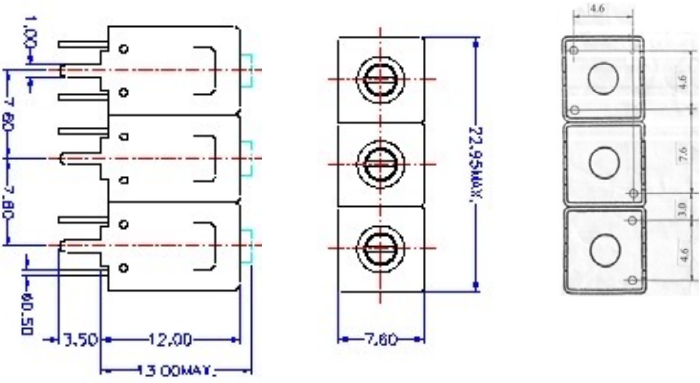


# VHF UHF Helical Filter Specification Sheet

Customer Name		Temwell's Part No.	TT67190B-81.3M
Approval No. /dated	20411109DC	Acceptable Specify Fo. Range	76~85MHz
Work Instruction No.	20411109DC	Date	

(1)Pin Position	(2)Size Diagram
 <p>(B) Type Bottom View</p>	

### (3)Electric Character

Item	Specify	Performance	
Center Freq.(Fo ) +/- 0.5 %	81.3 MHz	81.3 MHz	
Tunable Range	81.3±2 MHz	81.3±2 MHz	
Insertion Loss	Typ. 5.0 dB	4.34 dB	
-3 dB Bandwidth	Typ. 4 MHz	5 MHz	
Sensitivity (Attenuation)	Fo -10 MHz	Typ. 31 dBc	34 dBc
	Fo +10 MHz	Typ. 36 dBc	39 dBc
	Fo - ( )MHz	Typ. dBc	dBc
	Fo +( )MHz	Typ. dBc	dBc
Return Loss	Min. 12 dB	31 dB	
Ripple	< 1 dB	dB	
Impedance	In / Out : 50 Ω	In / Out : 50 Ω	

(4)Torque for Tuning Screw	> 100gf · cm
----------------------------	--------------

### (5)Temperature Condition:

Operating Temperature	0°C ~ +60°C
Storage Temperature	-20°C ~ +70°C

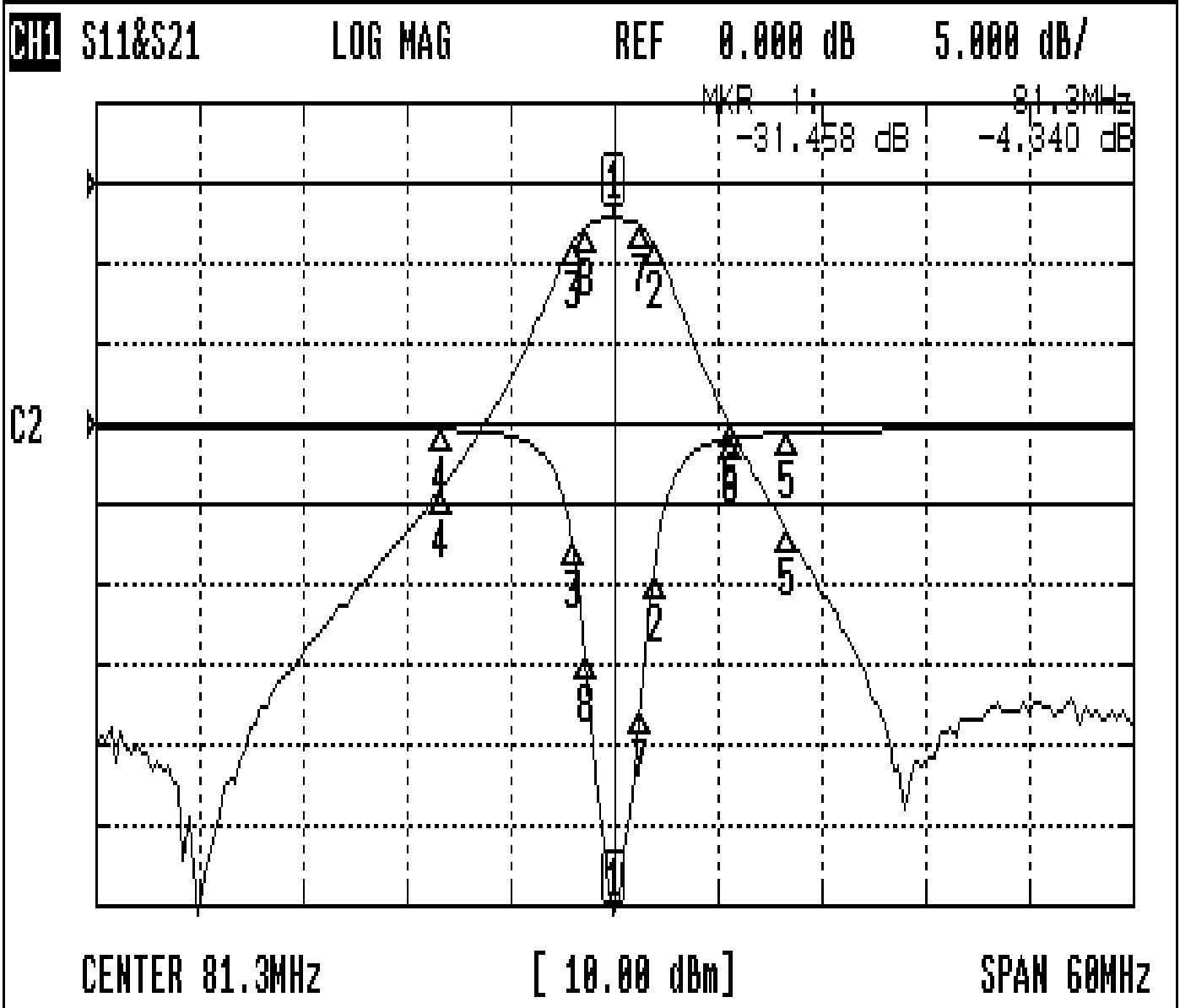
(6)Input Power	> 1Watt
----------------	---------

Approval	Supervisor	Designer	Aperture size
C.Y.Chang	C.S.Chang	C.S.Chang	7H3S(4*4.65)F 7H00LB6

TEMWELL CORPORATION

# Performance-TT67190B-81.3M

## 20411109DC



### CH1 MARKER LIST

1:	81.300MHz	-31.458 dB	-4.340 dB
2:	83.600MHz	-9.320 dB	-7.327 dB
3:	78.900MHz	-7.422 dB	-7.279 dB
4:	71.300MHz	-0.346 dB	-38.895 dB
5:	91.300MHz	-0.551 dB	-43.274 dB
6:	88.800MHz	-0.981 dB	-38.154 dB
7:	82.850MHz	-17.696 dB	-5.370 dB
8:	79.650MHz	-14.640 dB	-5.342 dB