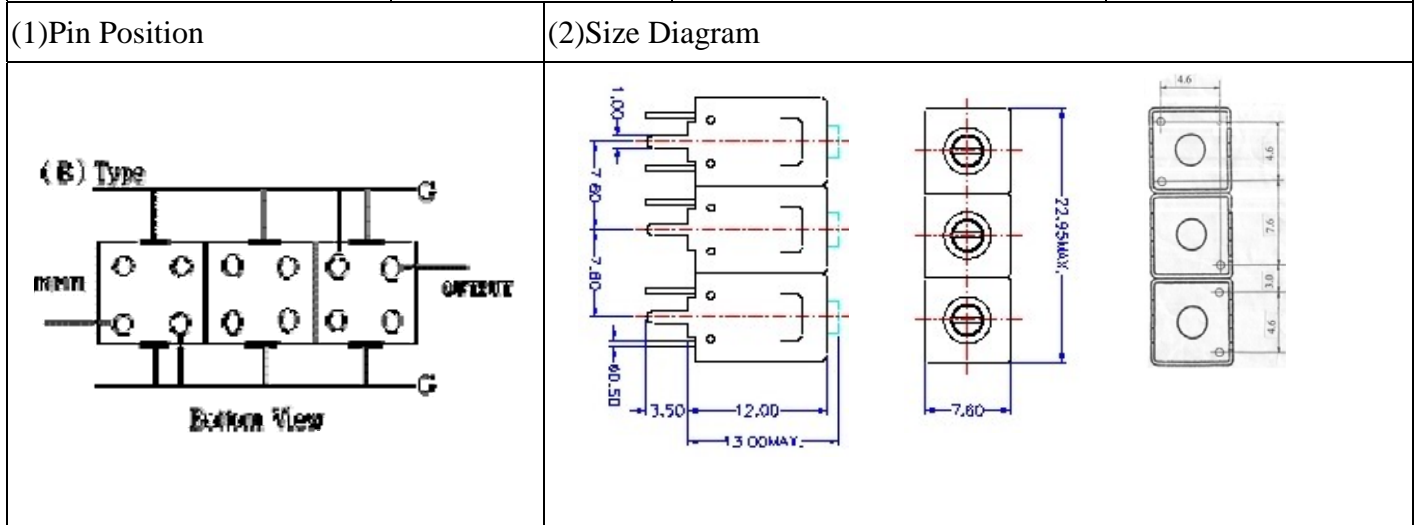


VHF UHF Helical Filter Specification Sheet

Customer Name		Temwell's Part No.	TT67192B-90M
Approval No. /dated	2007082B	Acceptable Specify Fo. Range	86~95MHz
Work Instruction No.	2007082B	Date	



(3) Electric Character

Item	Specify	Performance
Center Freq.(Fo) +/- 0.5 %	90 MHz	90 MHz
Insertion Loss	Typ. 3.5 dB	2.3 dB
-3 dB Bandwidth	Typ. 6 MHz	7 MHz
Sensitivity (Attenuation)	Fo -20 MHz	Typ. 60 dBc
	Fo +20 MHz	Typ. 40 dBc
	Fo - ()MHz	Typ. dBc
	Fo +()MHz	Typ. dBc
Return Loss	Min. 12 dB	36 dB
Ripple	< 1 dB	dB
Impedance	In / Out : 50 Ω	In / Out : 50 Ω
(4) Torque for Tuning Screw	> 100gf • cm	

(5) Temperature Condition:

Operating Temperature	0°C ~ +60°C
Storage Temperature	-20°C ~ +70°C
(6) Input Power	> 1Watt

Approval	Supervisor	Designer	Aperture size
C.Y.Chang	C.S.Chang	C.S.Chang	7H3S(4*7.5)F 7H00LB4

TEMWELL CORPORATION

