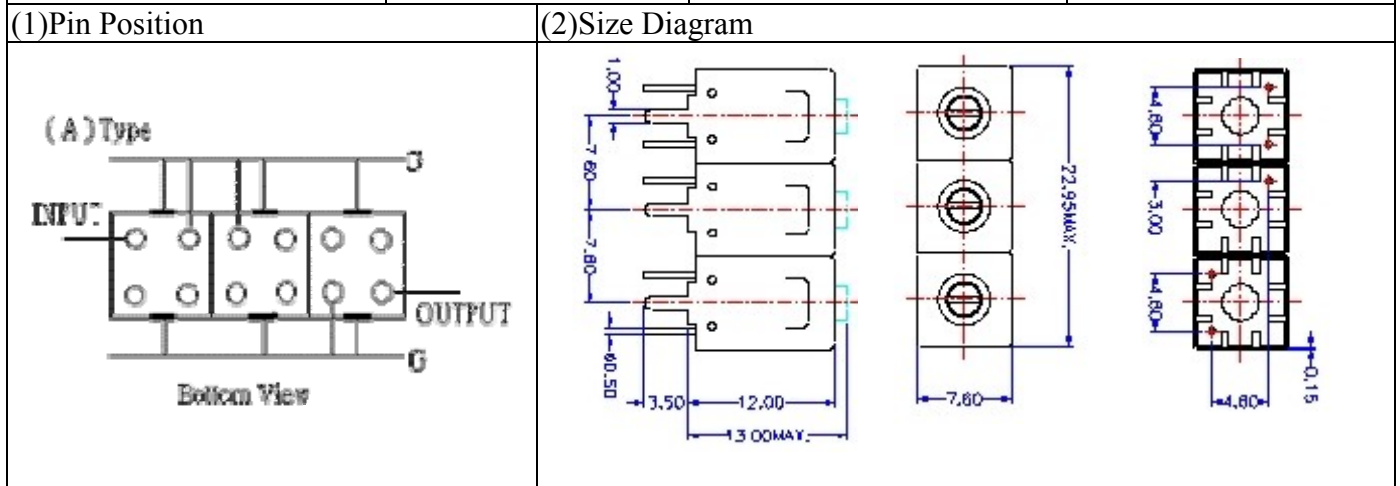


VHF UHF Helical Filter Specification Sheet

Customer Name		Temwell's Part No.	TT67202A-546M
Approval No. /dated	20210027B	Temwell's print name	596~640MH
Work Instruction No.	20210027B	Date	2002.10.05



(3) Electric Character

Item	Specify	Performance
Center Freq.(Fo) +/- 0.5 %	546 MHz	546 MHz
Tunable Range	546±5 MHz	546±5 MHz
Insertion Loss	Typ. 3.5 dB	2.5 dB
-3dB Bandwidth	Typ. 10 MHz	14 MHz
Sensitivity (Attenuation)	Fo - 40 MHz	Typ. 49 dBc
	Fo + 40 MHz	Typ. 36 dBc
	Fo - ()MHz	Typ. dBc
	Fo +()MHz	Typ. dBc
Return Loss	Min. 12 dB	17.8 dB
Ripple	< 1 dB	dB
Impedance	In / Out : 50 Ω	In / Out : 50 Ω

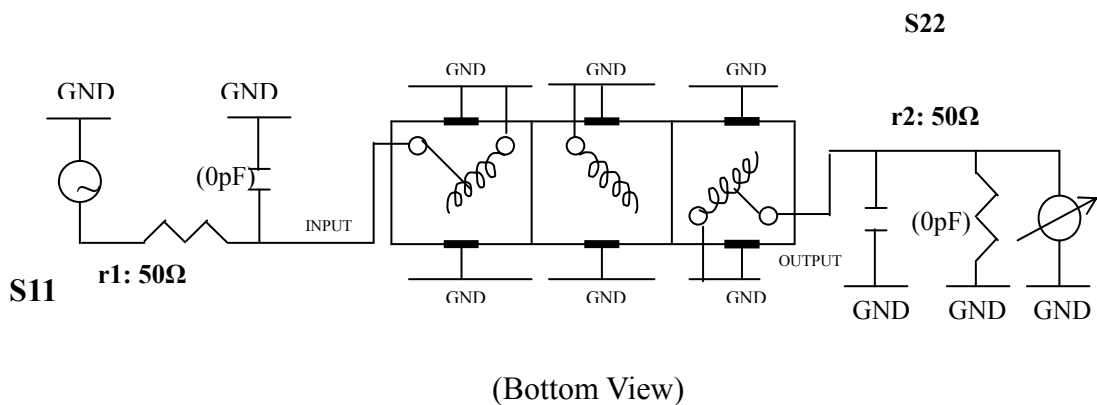
(4) Torque for Tuning Screw > 100gf · cm

(5) Temperature Condition:

Operating Temperature	0°C ~ +60°C
Storage Temperature	-20°C ~ +70°C

(6) Input Power > 1Watt

(7) Measuring Circuit: ※Easy to match Impedance S11/S22 50Ω by parallel with about(0 pF) / (0 pF).



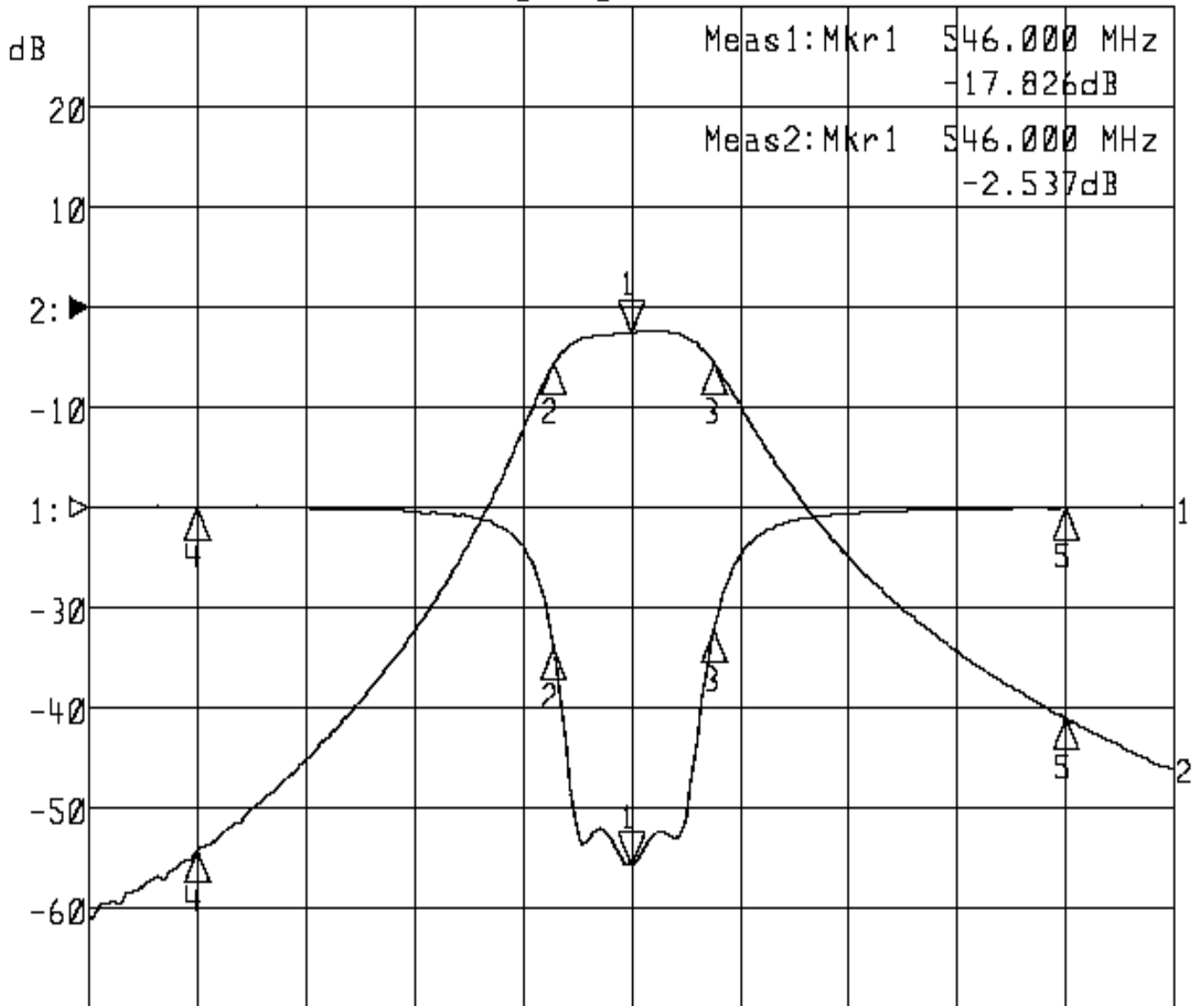
Approval	Supervisor	Designer	Aperture size
C.Y.Chang	C.S.Chang	C.S.Chang	7H3S(4*4.65)F 7H046LB4 聚 3

TEMWELL CORPORATION

Performance-TT67202A-546M

20210027B

►1:S11 Refl Port1 Log Mag 5.0 dB/ Ref 0.00 dB C
►2:S21 Fwd Trans Log Mag 10.0 dB/ Ref 0.00 dB C



Center 546.000 MHz

Span 100.000 MHz

1: Mkr (MHz)	dB	2: Mkr (MHz)	dB
1> 546.0000	-17.826	1> 546.0000	-2.537
2: 538.9000	-7.028	2: 538.9000	-5.574
3: 553.6333	-6.076	3: 553.6333	-5.547
4: 506.0000	0.016	4: 506.0000	-54.263
5: 586.0000	-0.038	5: 586.0000	-41.039