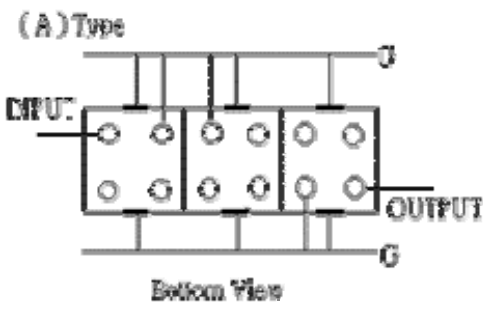
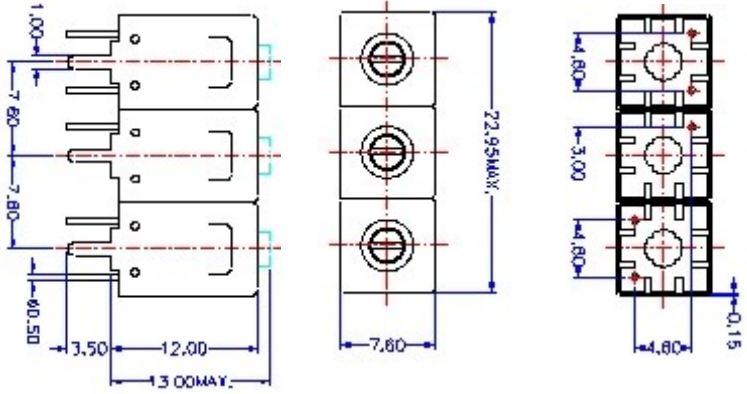


# VHF UHF Helical Filter Specification Sheet

Customer Name		Temwell's Part No.	TT67204A-127.25M
Approval No. /dated	20401051DB	Temwell's print name	
Work Instruction No.	20401051DB	Date	Jan.29.2004

(1)Pin Position	(2)Size Diagram
 <p>(A) Type Bottom View</p>	

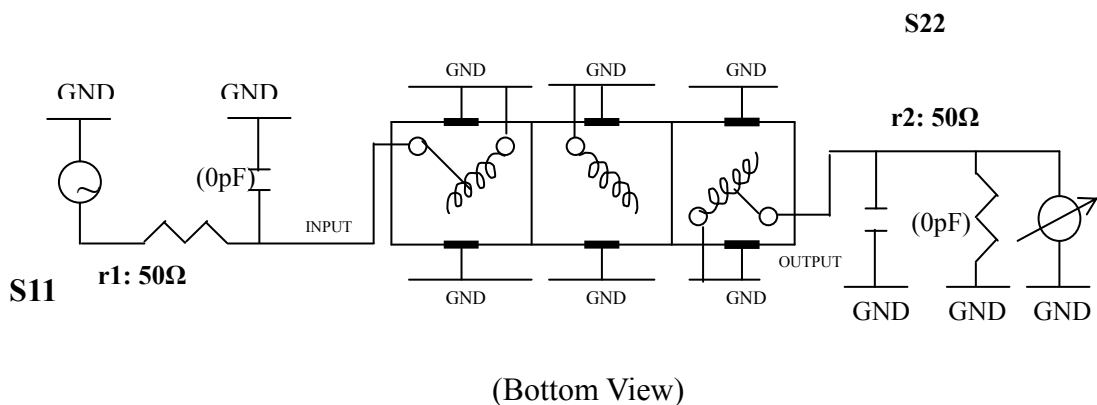
### (3)Electric Character

Item	Specify	Performance
Center Freq.(Fo) +/- 0.5 %	127.25 MHz	127.25 MHz
Tunable Range	127.25±3 MHz	127.25±3 MHz
Insertion Loss	Typ. 3.5 dB	2.46 dB
-3dB Bandwidth	Typ. 9 MHz	10 MHz
Sensitivity (Attenuation)	Fo - 20 MHz	Typ. 41 dBc
	Fo + 20 MHz	Typ. 31 dBc
	Fo - ( )MHz	Typ. dBc
	Fo +( )MHz	Typ. dBc
Return Loss	Min. 12 dB	25 dB
Ripple	< 1 dB	dB
Impedance	In / Out : 50 Ω	In / Out : 50 Ω
(4)Torque for Tuning Screw	> 100gf • cm	

### (5)Temperature Condition:

Operating Temperature	0°C ~ +60°C
Storage Temperature	-20°C ~ +70°C
(6)Input Power	> 1Watt

### (7)Measuring Circuit: ※Easy to match Impedance S11/S22 50Ω by parallel with about(0 pF) / (0 pF).



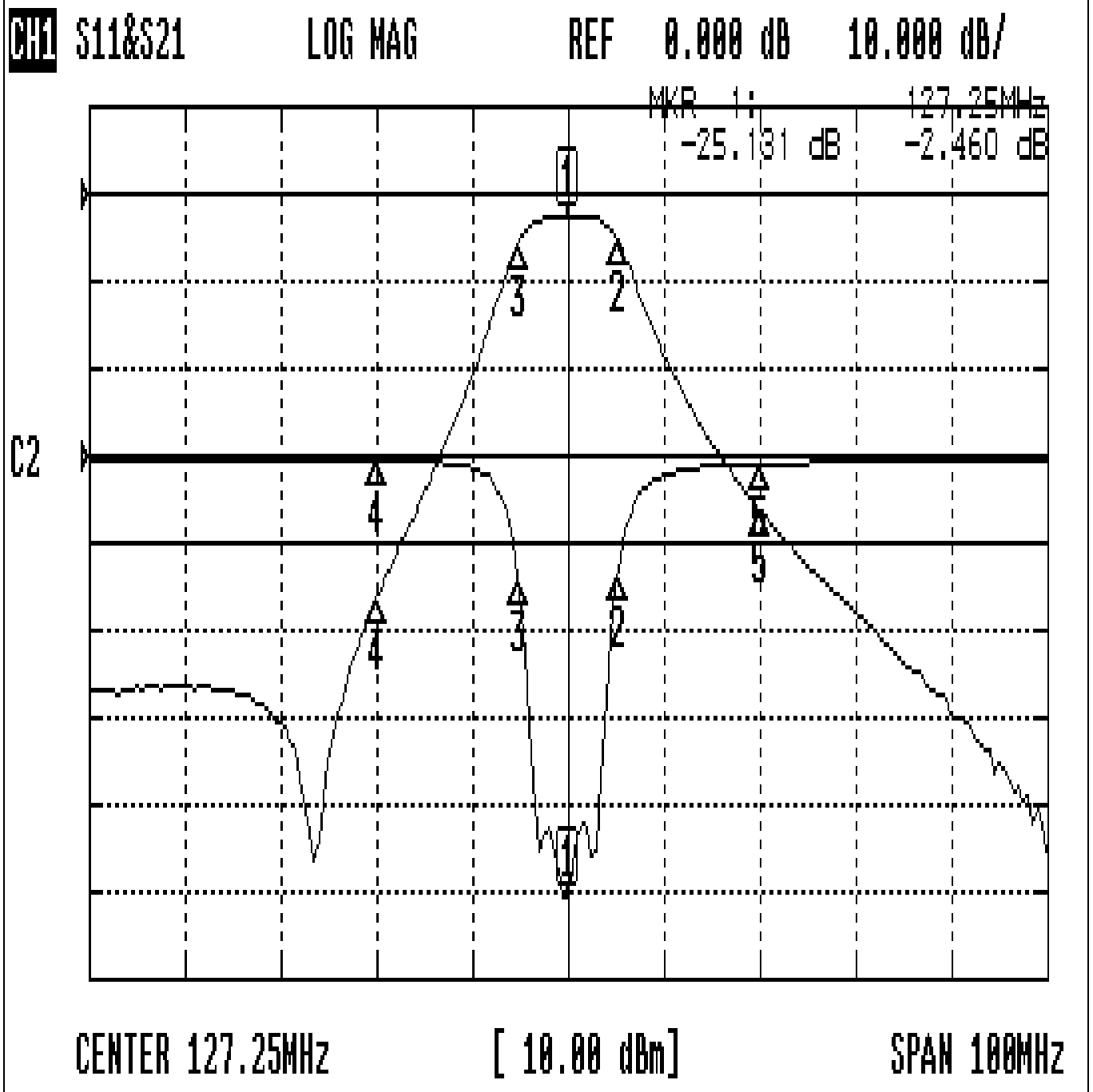
Approval	Supervisor	Designer	Aperture size
C.Y.Chang	C.S.Chang	C.S.Chang	7H3 4*7.5(4*7.58)F 7H00LB4

TEMWELL CORPORATION

TEMWELL RP W.W.Wang

# Performance-TT67204A-127.25M

## 20401051DB



### CH1 MARKER LIST

1:	127.250MHz	-25.131 dB	-2.460 dB
2:	132.500MHz	-6.657 dB	-5.487 dB
3:	122.083MHz	-7.206 dB	-5.417 dB
4:	107.250MHz	-0.219 dB	-46.377 dB
5:	147.250MHz	-0.454 dB	-36.151 dB